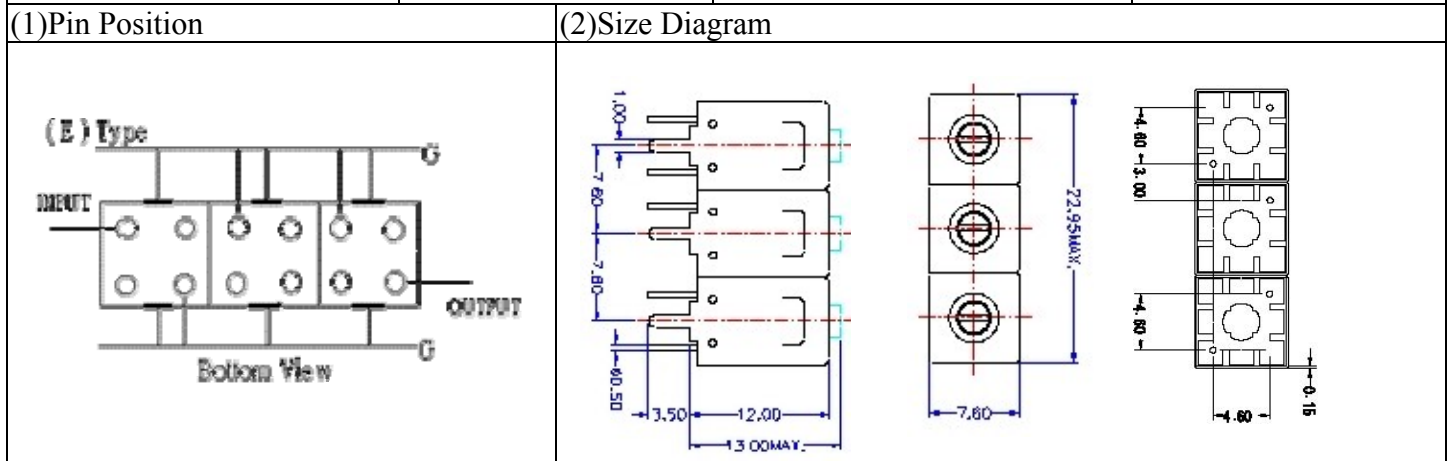


VHF UHF Helical Filter Specification Sheet

Customer Name		Temwell's Part No.	TT63237E-330M
Approval No. /dated	0803058APR	Temwell's print name.	311~355M
Work Instruction No.	0803058CD	Date	Mar.27.2007



(3) Electric Characteristic

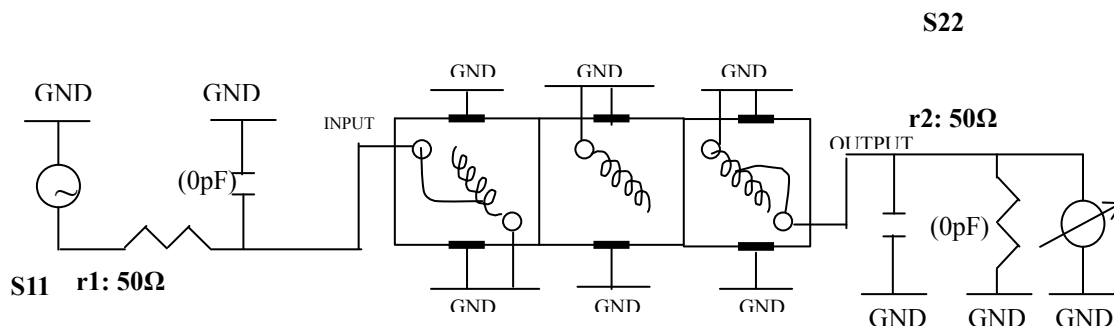
Item	Specify	Performance	
Center Freq.(Fo) +/- 0.75 %	330 MHz	330 MHz	
Tunable Range:	330±4 MHz	330±4 MHz	
Insertion Loss	Typ. 3 dB	2.04 dB	
-3 dB Bandwidth	Typ. 12 MHz	14.8 MHz	
Sensitivity (Attenuation)	Fo - 40 MHz	Typ. 44 dBc	47 dBc
	Fo + 40 MHz	Typ. 46 dBc	49 dBc
	Fo - ()MHz	Typ. dBc	dBc
	Fo +()MHz	Typ. dBc	dBc
Return Loss	Min. 12 dB	23.4 dB	
Ripple	< 1 dB	dB	
Impedance	In / Out : 50 Ω	In / Out : 50 Ω	
(4) Torque for Tuning Screw	> 100gf · cm		

(5) Temperature Condition:

Operating Temperature	-30°C ~ +70°C
Storage Temperature	-30°C ~ +80°C

(6) Input Power

(7) Measuring Circuit: ※Easy to match Impedance S11/S22 50Ω by parallel with about(0pF) / (0 pF).



(Bottom View)

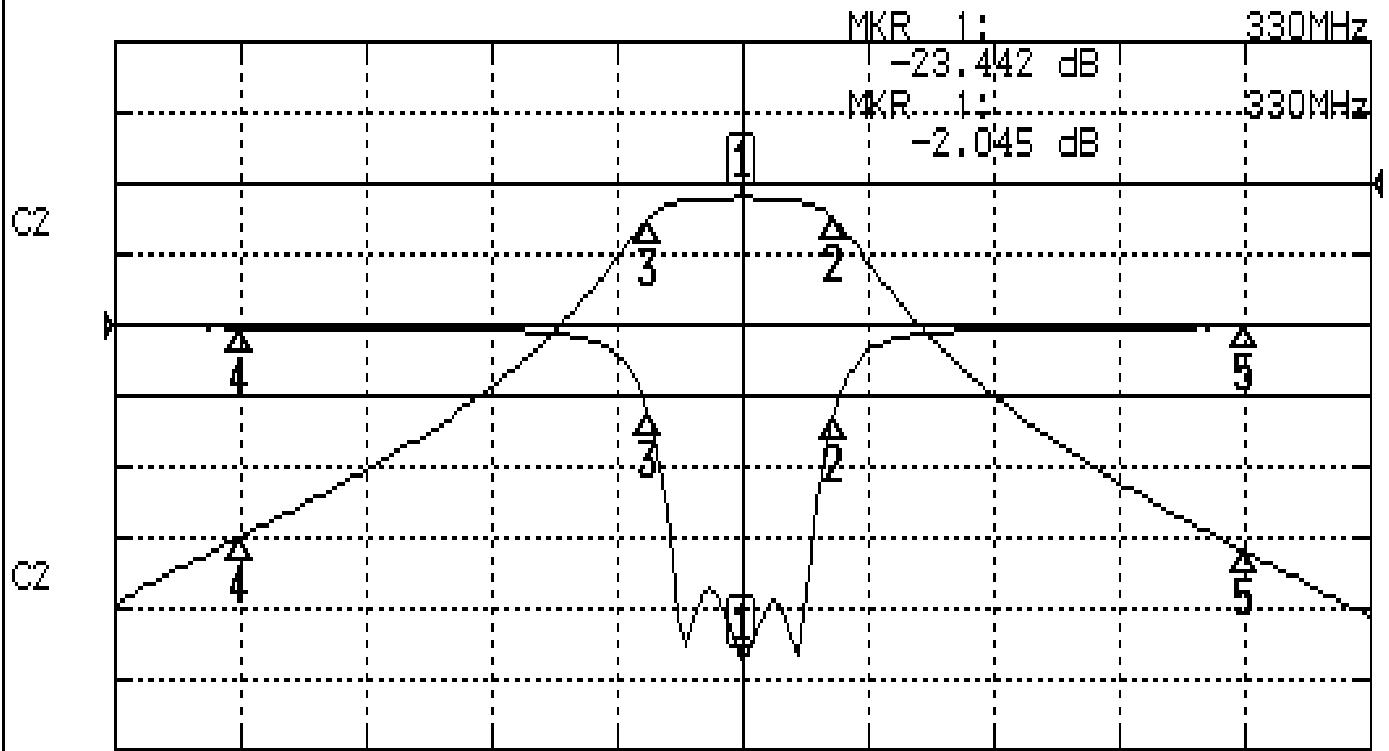
Approval	Supervisor	Designer	Aperture size
C.Y.Chang	C.S.Chang	P.H.Chiang	7H3(4*5.5)F(5.0)B 7H046LB5

TEMWELL CORPORATION

Performance-TT63237E-330M

0803058CD

CH1 S11 LOG MAG REF 0.000 dB 5.000 dB/
CH2 S21 LOG MAG REF 0.000 dB 10.000 dB/



CENTER 330MHz

[10.00 dBm]

SPAN 100MHz

CH1 MARKER LIST

Marker	Frequency (MHz)	Amplitude (dB)
1:	330.000MHz	-23.445 dB
2:	337.333MHz	-6.355 dB
3:	322.500MHz	-6.037 dB
4:	290.000MHz	-0.149 dB
5:	370.000MHz	-0.141 dB

CH2 MARKER LIST

Marker	Frequency (MHz)	Amplitude (dB)
1:	330.000MHz	-2.045 dB
2:	337.333MHz	-5.047 dB
3:	322.500MHz	-5.123 dB
4:	290.000MHz	-49.814 dB
5:	370.000MHz	-51.847 dB