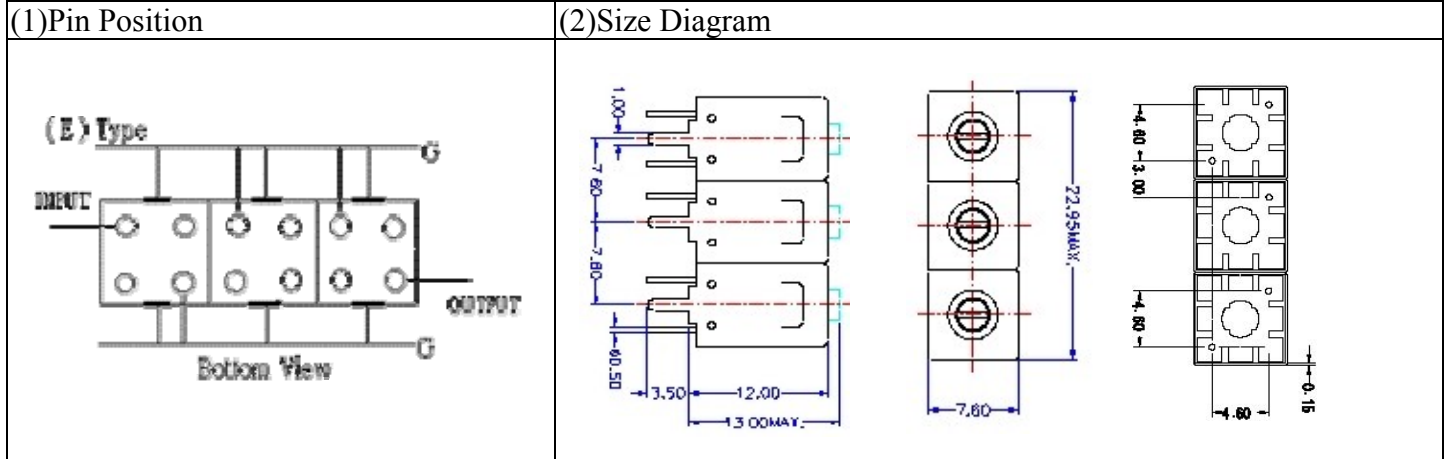


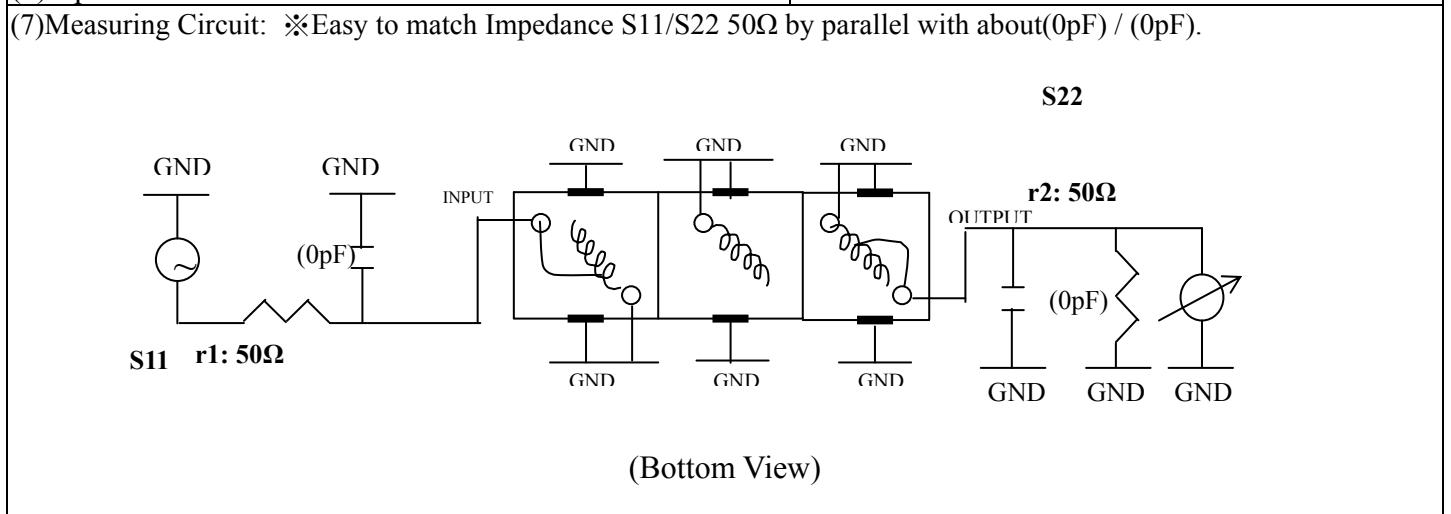
VHF UHF Helical Filter Specification Sheet

Customer Name		Temwell's Part No.	TT63234E-450M
Approval No. /dated	0803053CD	Acceptable Specify Fo Range	401~455MHz
Work Instruction No.	0803053CD	Date	Mar.27.2008



(3) Electric Characteristic			
Item	Specify	Performance	
Center Freq.(Fo) +/- 0.5 %	450 MHz	450 MHz	
Tunable Range:	450±5 MHz	450±5 MHz	
Insertion Loss	Typ. 3.0 dB	1.85 dB	
-3 dB Bandwidth	Typ. 17 MHz	19.4 MHz	
Sensitivity (Attenuation)	Fo -(40) MHz	Typ. 30 dBc	33 dBc
	Fo +(40) MHz	Typ. 47 dBc	50 dBc
	Fo -()MHz	Typ. dBc	dBc
	Fo +()MHz	Typ. dBc	dBc
Return Loss	Min. 12 dB	21.3 dB	
Ripple	< 1 dB	dB	
Impedance	In / Out : 50 Ω	In / Out : 50 Ω	
(4) Torque for Tuning Screw	> 100gf • cm		

(5) Temperature Condition:	
Operating Temperature	0°C ~ +60°C
Storage Temperature	-20°C ~ +70°C
(6) Input Power	> 1Watt



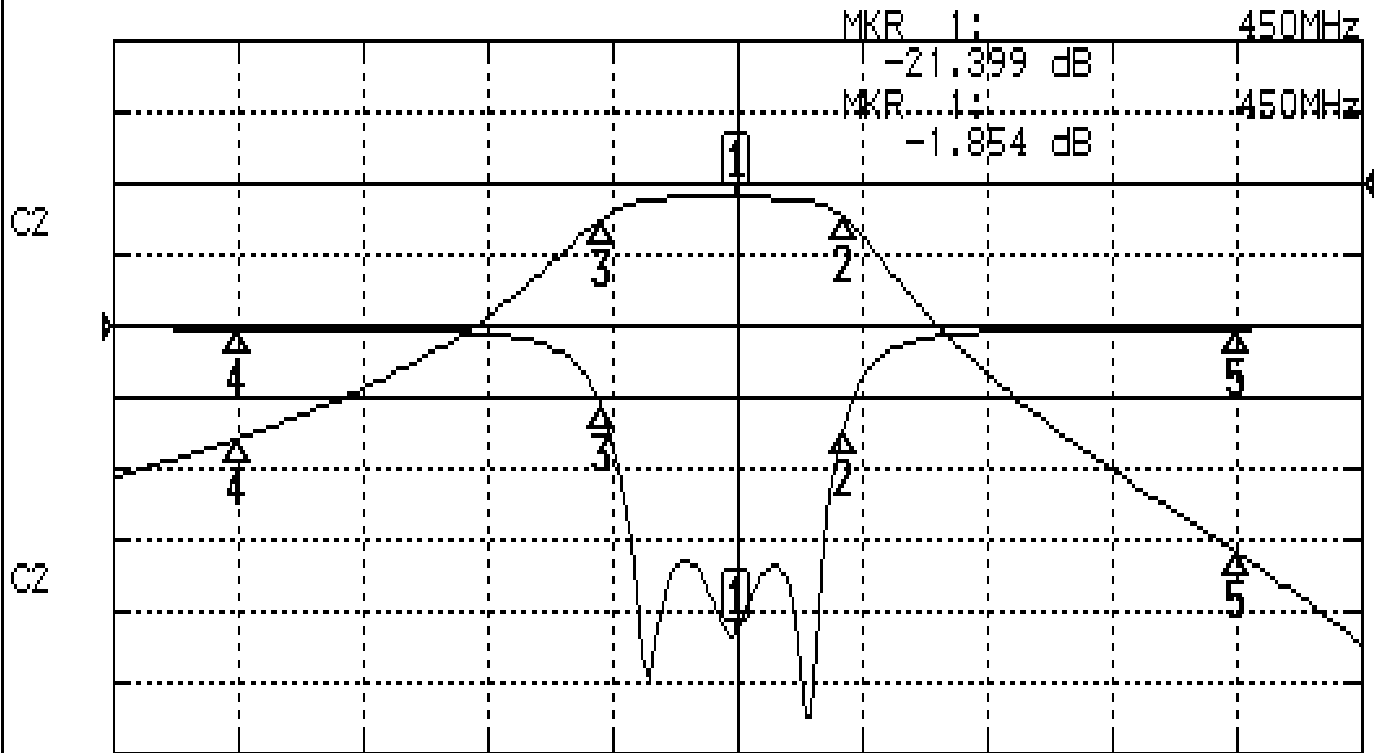
Approval	Supervisor	Designer	Aperture size
C.Y.Chang	C.S.Chang	P.H.Chiang	7H3(4*4.65)F(5.0)B 7H046LB4 聚 3

TEMWELL CORPORATION

Performance-TT63234E-450M

0803053CD

CH1 S11 LOG MAG REF 0.000 dB 5.000 dB/
CH2 S21 LOG MAG REF 0.000 dB 10.000 dB/



CENTER 450MHz

[10.00 dBm]

SPAN 100MHz

CH1 MARKER LIST

1	450.000MHz	-21.399	dB
2	458.583MHz	-17.069	dB
3	439.166MHz	-10.726	dB
4	410.000MHz	-0.163	dB
5	490.000MHz	-0.156	dB

CH2 MARKER LIST

1	450.000MHz	-1.851	dB
2	458.583MHz	-4.846	dB
3	439.166MHz	-4.852	dB
4	410.000MHz	-35.724	dB
5	490.000MHz	-52.004	dB