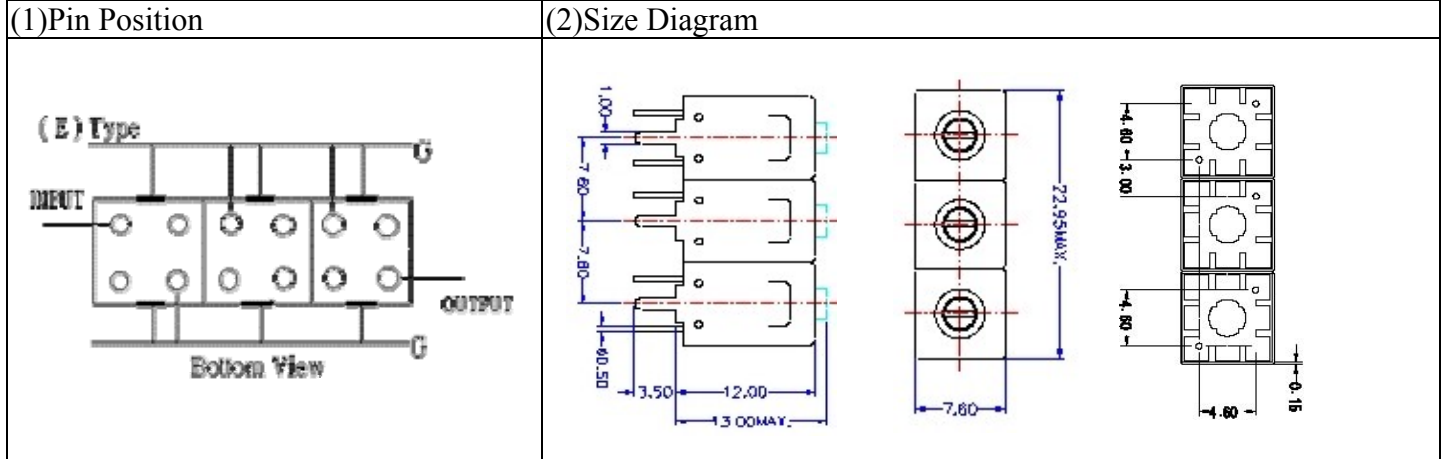


VHF UHF Helical Filter Specification Sheet

Customer Name		Temwell's Part No.	TT63231E-450M
Approval No. /dated	0803026CD	Acceptable Specify Fo Range	401~455MHz
Work Instruction No.	0803026CD	Date	Mar.13.2008

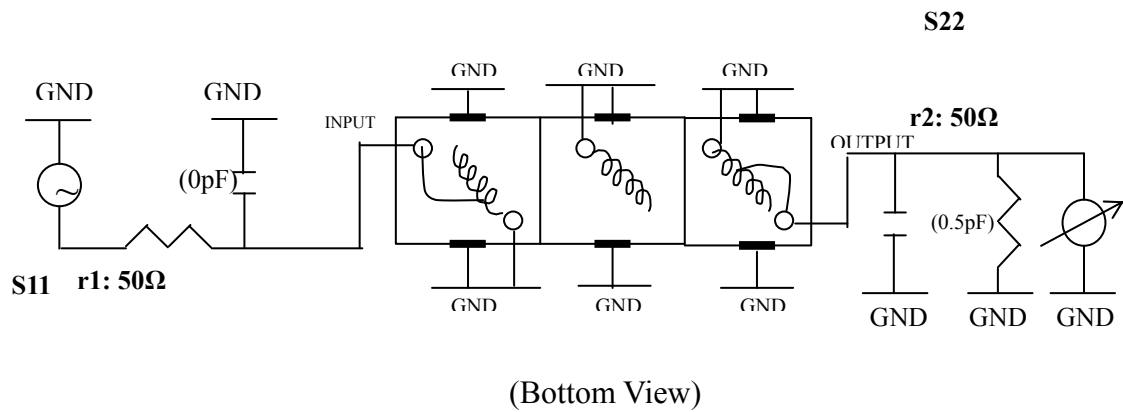


(3) Electric Characteristic			
Item	Specify	Performance	
Center Freq.(Fo) +/- 0.5 %	450 MHz	450 MHz	
Tunable Range:	450±5 MHz	450±5 MHz	
Insertion Loss	Typ. 3.0 dB	1.82 dB	
-3 dB Bandwidth	Typ. 15 MHz	18.2 MHz	
Sensitivity (Attenuation)	Fo - 30 MHz	Typ. 25 dBc	28 dBc
	Fo + 30 MHz	Typ. 27 dBc	30 dBc
	Fo - ()MHz	Typ. dBc	dBc
	Fo +()MHz	Typ. dBc	dBc
Return Loss	Min. 12 dB	24.7 dB	
Ripple	< 1 dB	dB	
Impedance	In / Out : 50 Ω	In / Out : 50 Ω	
(4) Torque for Tuning Screw	> 100gf · cm		

(5) Temperature Condition:	
Operating Temperature	0°C ~ +60°C
Storage Temperature	-20°C ~ +70°C

(6) Input Power > 1Watt

(7) Measuring Circuit: ※Easy to match Impedance S11/S22 50Ω by parallel with about (0 pF) / (0.5 pF).



Approval C.Y.Chang	Supervisor C.S.Chang	Designer Y.H.Yeh	Aperture size 7H3S(4*4.5F)(5.0B) 7H046LB5
-----------------------	-------------------------	---------------------	---

TEMWELL CORPORATION

Performance-TT63231E-450M

0803026CD

CH1 S11 LOG MAG REF 0.000 dB 5.000 dB/
CH2 S21 LOG MAG REF 0.000 dB 10.000 dB/

MKR 1: 450MHz

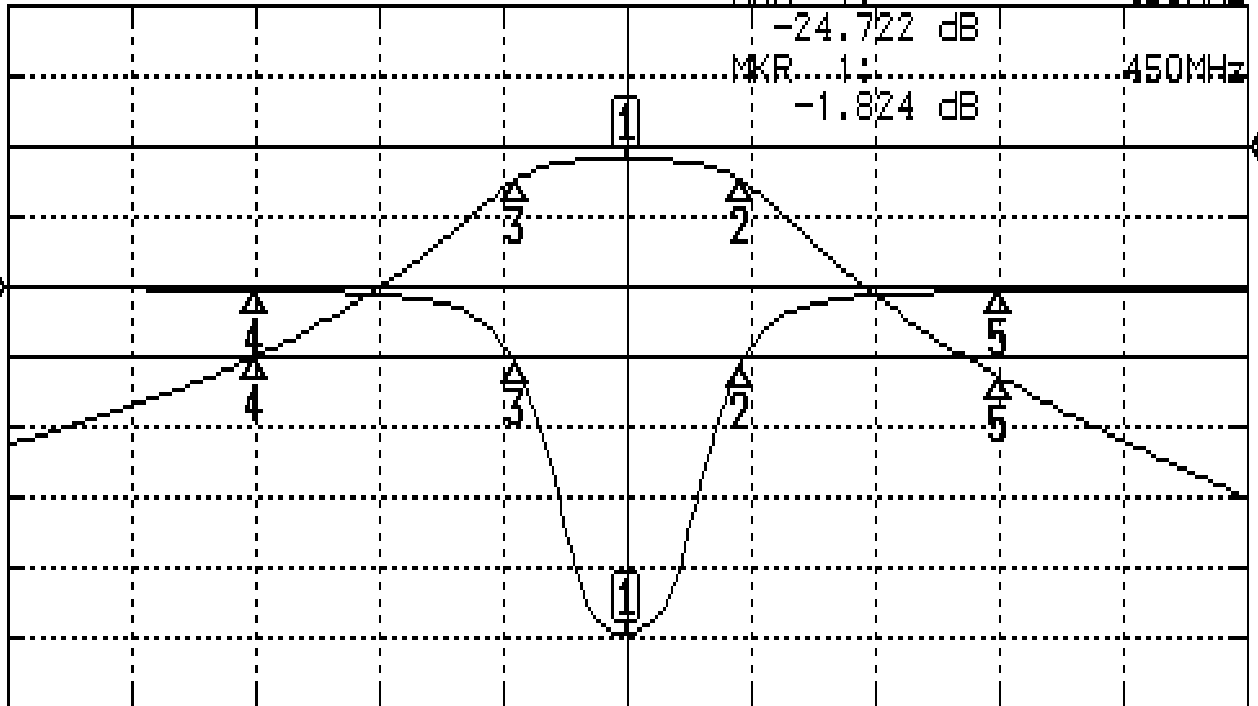
-24.722 dB

MKR 1: 450MHz

-1.824 dB

C2

C2



CENTER 450MHz

[10.00 dBm]

SPAN 100MHz

CH1 MARKER LIST

1:	450.000MHz	-24.722	dB
2:	459.200MHz	-15.589	dB
3:	441.000MHz	-15.402	dB
4:	420.000MHz	-0.242	dB
5:	480.000MHz	-0.341	dB
6:			
7:			
8:			
9:			
10:			

CH2 MARKER LIST

1:	450.000MHz	-1.824	dB
2:	459.200MHz	-4.002	dB
3:	441.000MHz	-4.064	dB
4:	420.000MHz	-29.336	dB
5:	480.000MHz	-32.781	dB
6:			
7:			
8:			
9:			
10:			