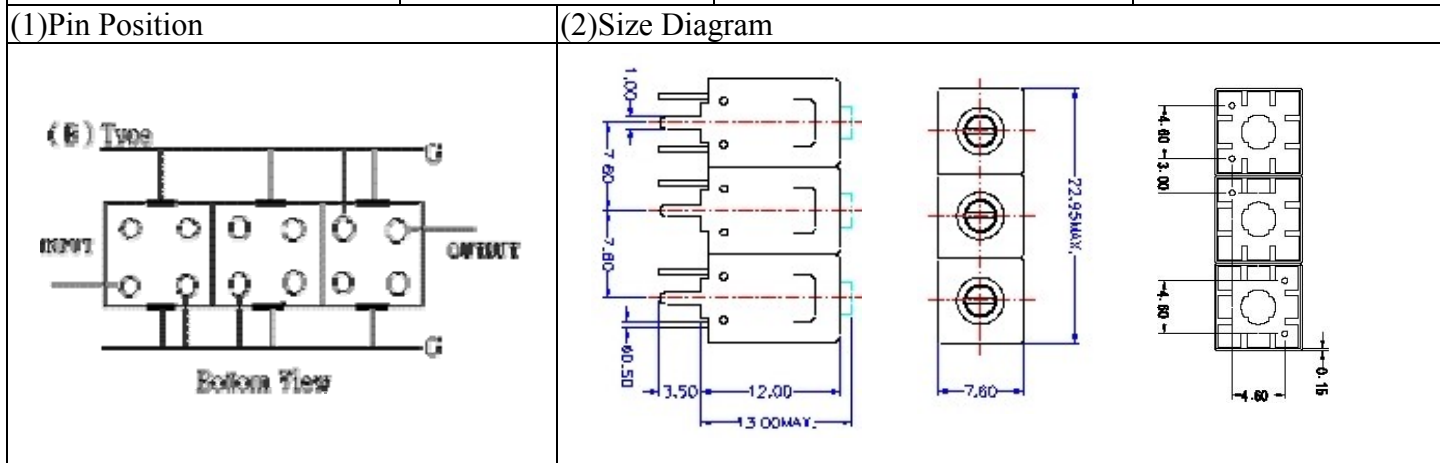


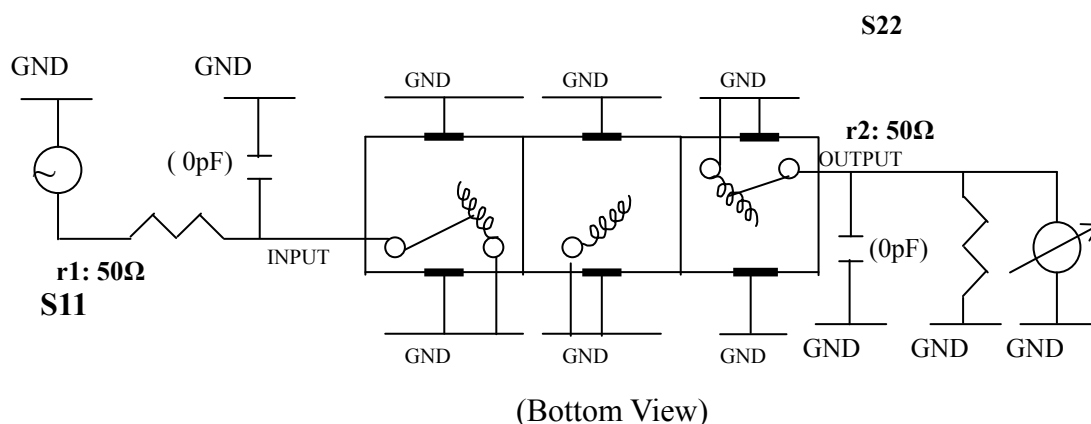
VHF UHF Helical Filter Specification Sheet

Customer Name		Temwell's Part No.	TT63222B-288M
Approval No. /dated	0801066APR	Customer's Print Name.	276~310M
Work Instruction No.	0801066CD	Date	Feb.01.2008



(3) Electric Characteristic					
Item		Specify		Performance	
Center Freq.(Fo) +/- 0.0 5 %		288 MHz		288 MHz	
Tunable Range:		288±3 MHz		288±3 MHz	
Insertion Loss		Typ. 2 dB		0.67 dB	
-3 dB Bandwidth		Typ. 50 MHz		56.4 MHz	
Sensitivity (Attenuation)	Fo - 100 MHz	Typ. 52 dBc		55 dBc	
	Fo + 100 MHz	Typ. 29 dBc		32 dBc	
	Fo - ()MHz	Typ. dBc		dBc	
	Fo +()MHz	Typ. dBc		dBc	
Return Loss		Min. 12 dB		22.3 dB	
Ripple		< 1 dB		dB	
Impedance		In / Out : 50 Ω		In / Out : 50 Ω	
(4) Torque for Tuning Screw				> 100gf · cm	
(5) Temperature Condition:					
Operating Temperature		0°C ~ +60°C			
Storage Temperature		-20°C ~ +70°C			
(6) Input Power		> 1Watt			

(7) Measuring Circuit: ※Easy to match Impedance S11/S22 50Ω by parallel with about(0pF) / (0pF).



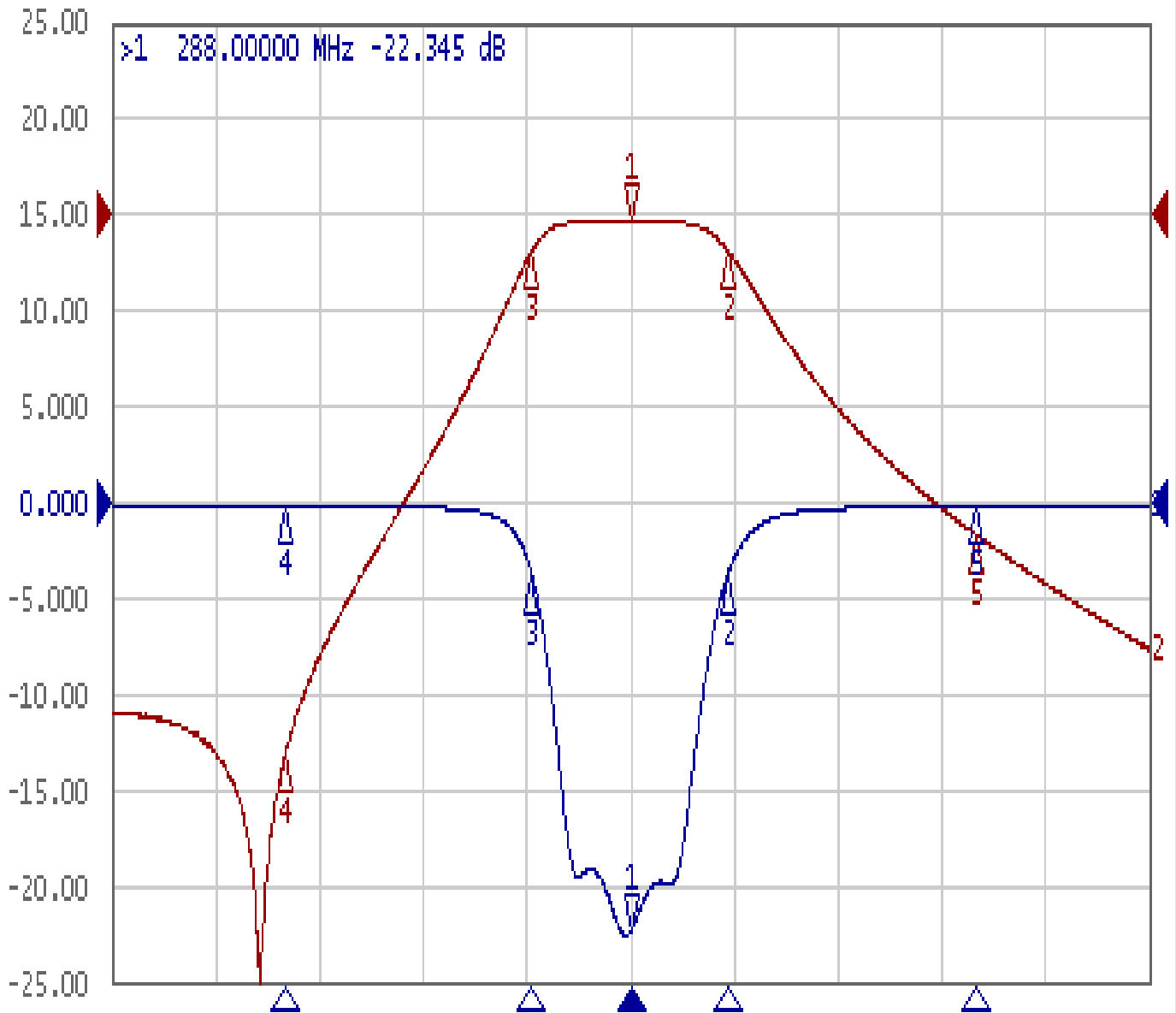
Approval	Supervisor	Designer	Aperture size
C.Y.Chang	C.S.Chang	C.S.Chang	7H3(4*6.5)F(6.5B) 7H046RB6.5

TEMWELL CORPORATION

Performance-TT63222B-288M

0801066CD

▶ Tr1 S11 Log Mag 5.000dB/ Ref 0.000dB [F3]
Tr2 S21 Log Mag 10.00dB/ Ref 0.000dB [F3]



1 Center 288 MHz IFBW 10 kHz Span 300 MHz

Ch1	Tr1	S11	>1	288.00000	MHz	-22.345	dB
Ch1	Tr1	S11	2	315.87988	MHz	-3.8329	dB
Ch1	Tr1	S11	3	259.44463	MHz	-3.8044	dB
Ch1	Tr1	S11	4	188.00000	MHz	-0.1626	dB
Ch1	Tr1	S11	5	388.00000	MHz	-0.2084	dB
Ch1	Tr2	S21	1	288.00000	MHz	-0.6707	dB
Ch1	Tr2	S21	2	315.87988	MHz	-3.6586	dB
Ch1	Tr2	S21	3	259.44463	MHz	-3.7241	dB
Ch1	Tr2	S21	4	188.00000	MHz	-56.407	dB
Ch1	Tr2	S21	5	388.00000	MHz	-33.408	dB