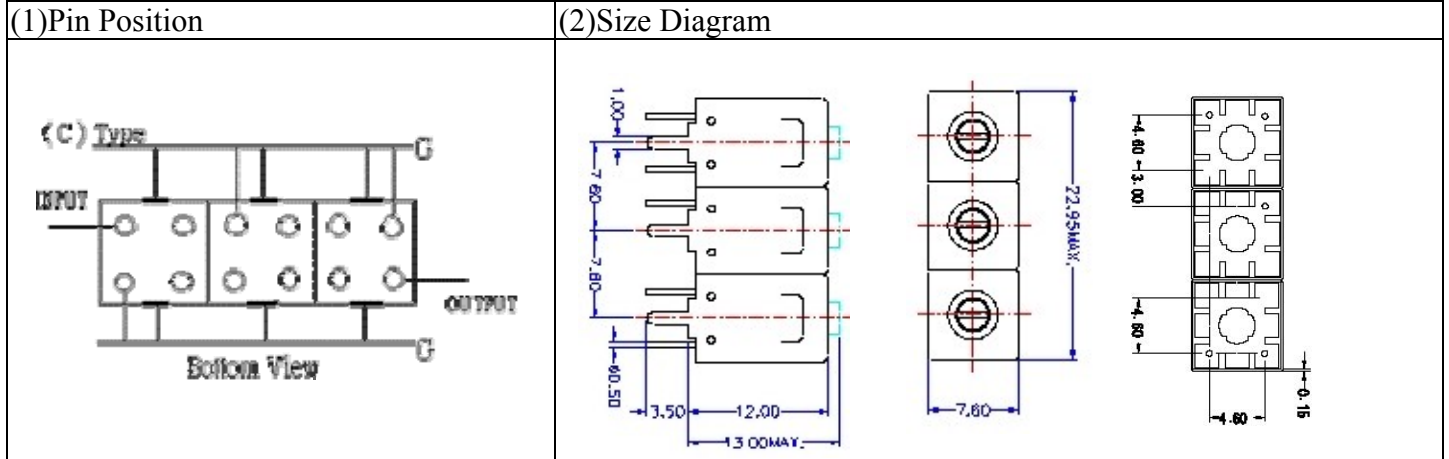


VHF UHF Helical Filter Specification Sheet

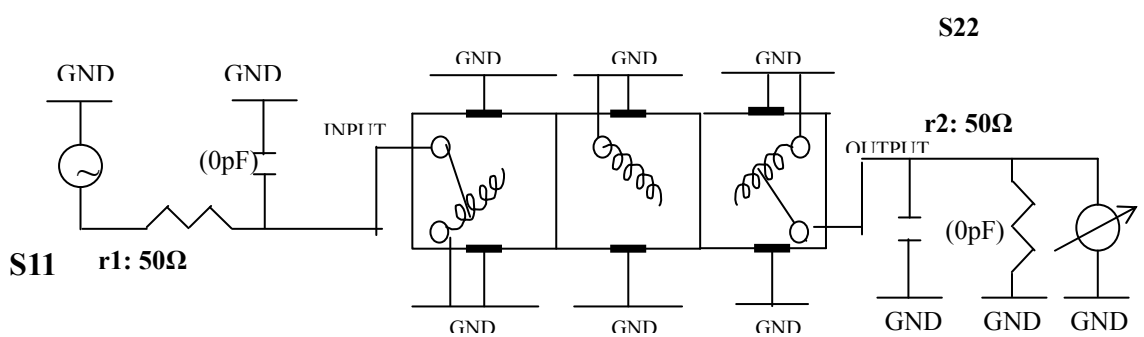
Customer Name		Temwell's Part No.	TT63218C-128M
Approval No. /dated	0801019APR	Customer's Part No.	126~145M
Work Instruction No.	0801019CD	Date	Jan.14.2008



(3) Electric Characteristic			
Item	Specify	Performance	
Center Freq.(Fo) +/- 0.5 %	128 MHz	128 MHz	
Tunable Range:	128±2 MHz	128±2 MHz	
Insertion Loss	Typ. 2.0 dB	1.04 dB	
-3 dB Bandwidth	Typ. 21 MHz	21.9 MHz	
Sensitivity (Attenuation)	Fo - 30 MHz	Typ. 30 dBc	33 dBc
	Fo + 30 MHz	Typ. 25 dBc	28 dBc
	Fo - ()MHz	Typ. dBc	dBc
	Fo +()MHz	Typ. dBc	dBc
Return Loss	Min. 12 dB	30.6 dB	
Ripple	< 1 dB	dB	
Impedance	In / Out : 50 Ω	In / Out : 50 Ω	
(4) Torque for Tuning Screw	> 100gf · cm		

(5) Temperature Condition:	
Operating Temperature	0°C ~ +60°C
Storage Temperature	-20°C ~ +70°C
(6) Input Power	> 1Watt

(7) Measuring Circuit: ※Easy to match Impedance S11/S22 50Ω/by parallel with about (0 pF) / (0 pF).



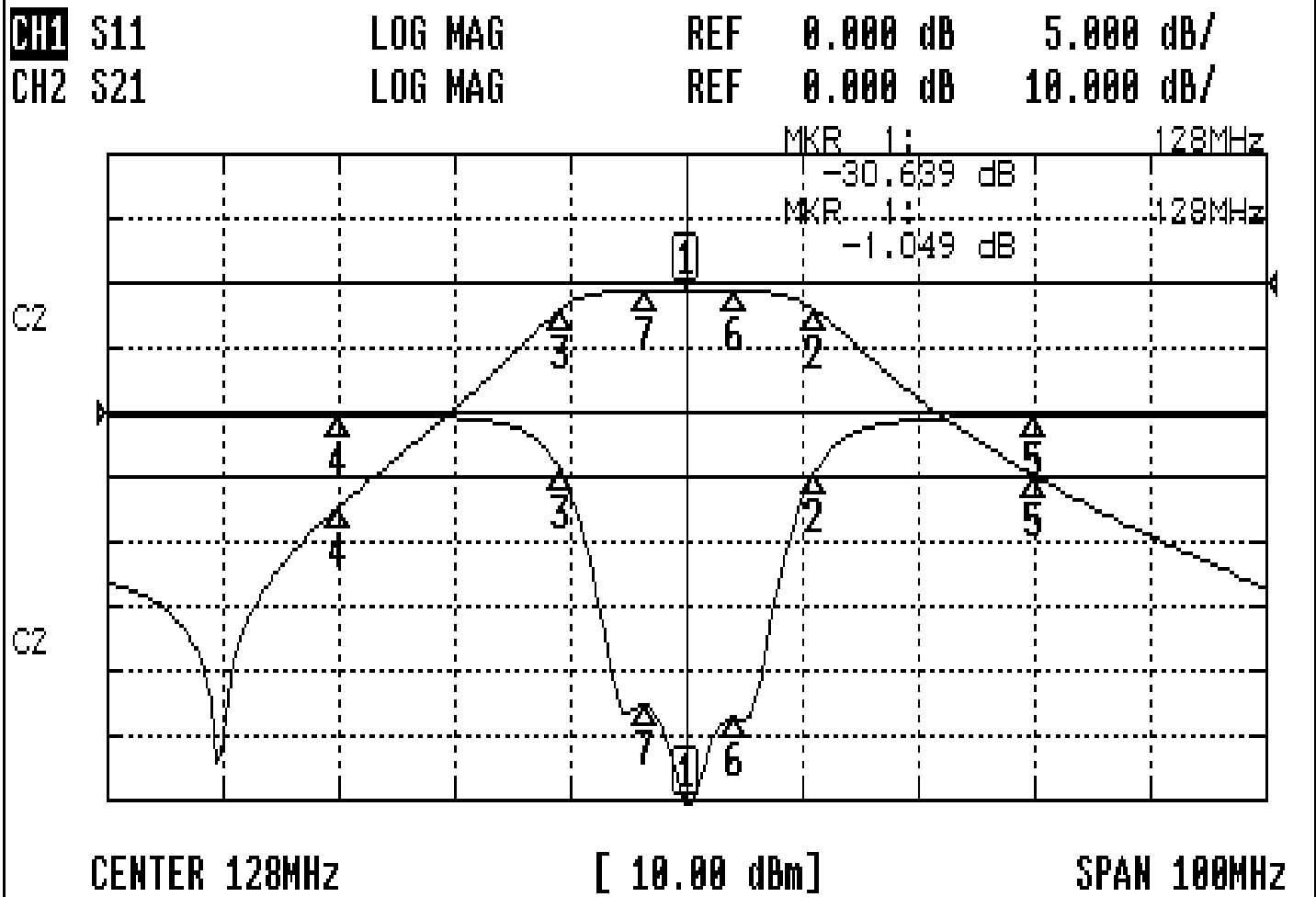
(Bottom View)

Approval C.Y.Chang	Supervisor C.S.Chang	Designer P.H.Chiang	Aperture size 7H3(4*6.5)F 7H024LB6.5
-----------------------	-------------------------	------------------------	--

TEMWELL CORPORATION

Performance-TT63218C-128M

0801019CD



CH1 MARKER LIST

Marker	Frequency (MHz)	Magnitude (dB)
1	128.000	-30.639
2	139.000	-4.826
3	117.166	-4.442
4	98.000	-0.245
5	158.000	-0.299
6	132.000	-23.609
7	124.333	-22.679

CH2 MARKER LIST

Marker	Frequency (MHz)	Magnitude (dB)
1	128.000	-1.049
2	139.000	-3.976
3	117.166	-4.073
4	98.000	-34.625
5	158.000	-29.819
6	132.000	-1.136
7	124.333	-1.101