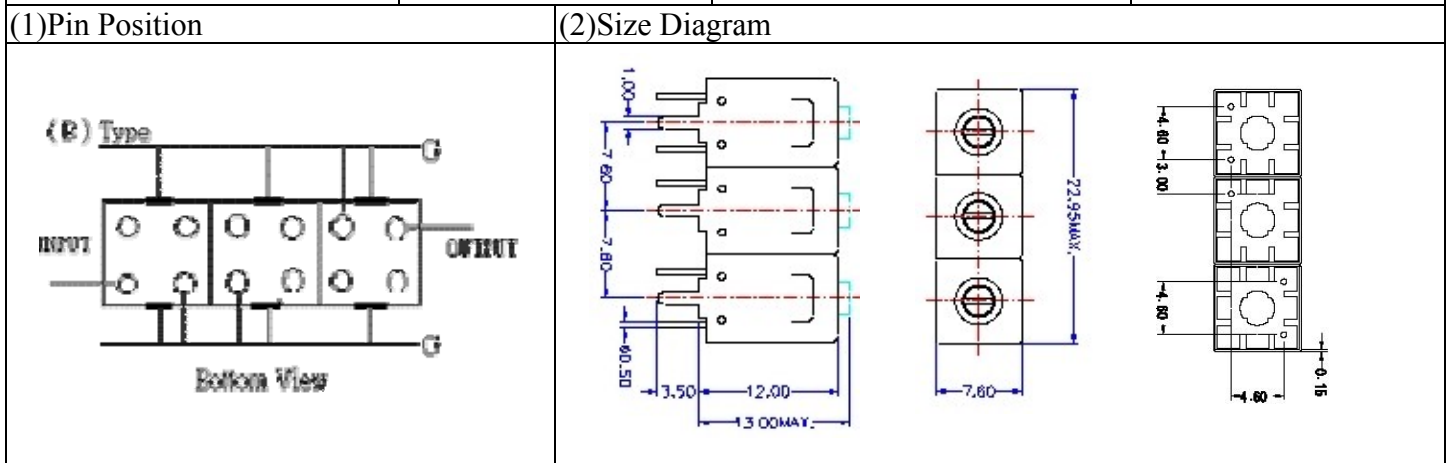


# VHF UHF Helical Filter Specification Sheet

Customer Name		Temwell's Part No.	TT63216B-195M-50M
Approval No. /dated	0801009APR	Customer's Print Name.	166~195M
Work Instruction No.	0801009CD	Date	Jan.08.2008



(3) Electric Characteristic		Item	Specify	Performance
Center Freq.(Fo) +/- 0.5 %			195 MHz	195 MHz
Tunable Range:			195±2 MHz	195±2 MHz
Insertion Loss		Typ.	2.0 dB	0.62 dB
-3 dB Bandwidth		Typ.	50 MHz	51.5 MHz
Sensitivity (Attenuation)	Fo - 50 MHz	Typ.	26 dBc	29 dBc
	Fo + 50 MHz	Typ.	13 dBc	16 dBc
	Fo - ( )MHz	Typ.	dBc	dBc
	Fo +( )MHz	Typ.	dBc	dBc
Return Loss		Min.	12 dB	23.5 dB
Ripple			< 1 dB	dB
Impedance			In / Out : 50 Ω	In / Out : 50 Ω

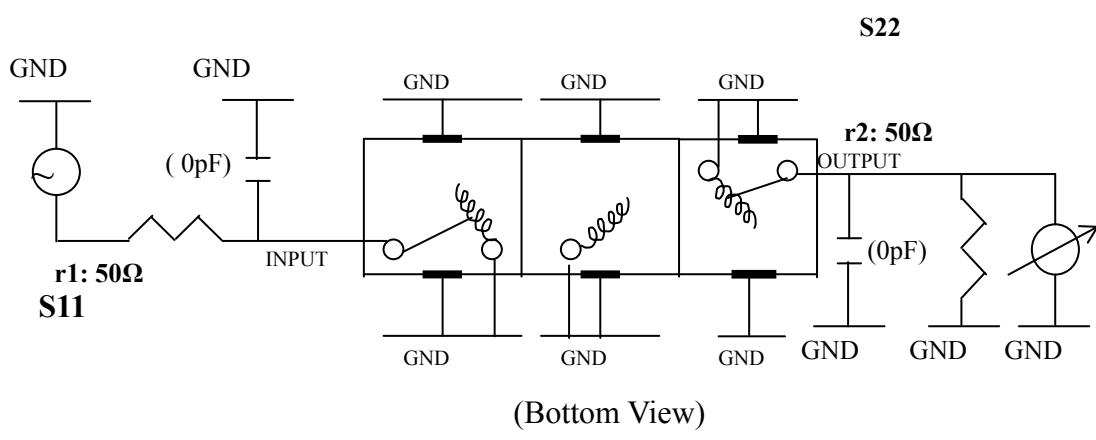
(4) Torque for Tuning Screw > 100gf · cm

(5) Temperature Condition:

Operating Temperature	0°C ~ +60°C
Storage Temperature	-20°C ~ +70°C

(6) Input Power > 1Watt

(7) Measuring Circuit: ※Easy to match Impedance S11/S22 50Ωby parallel with about(0pF) / (0pF).

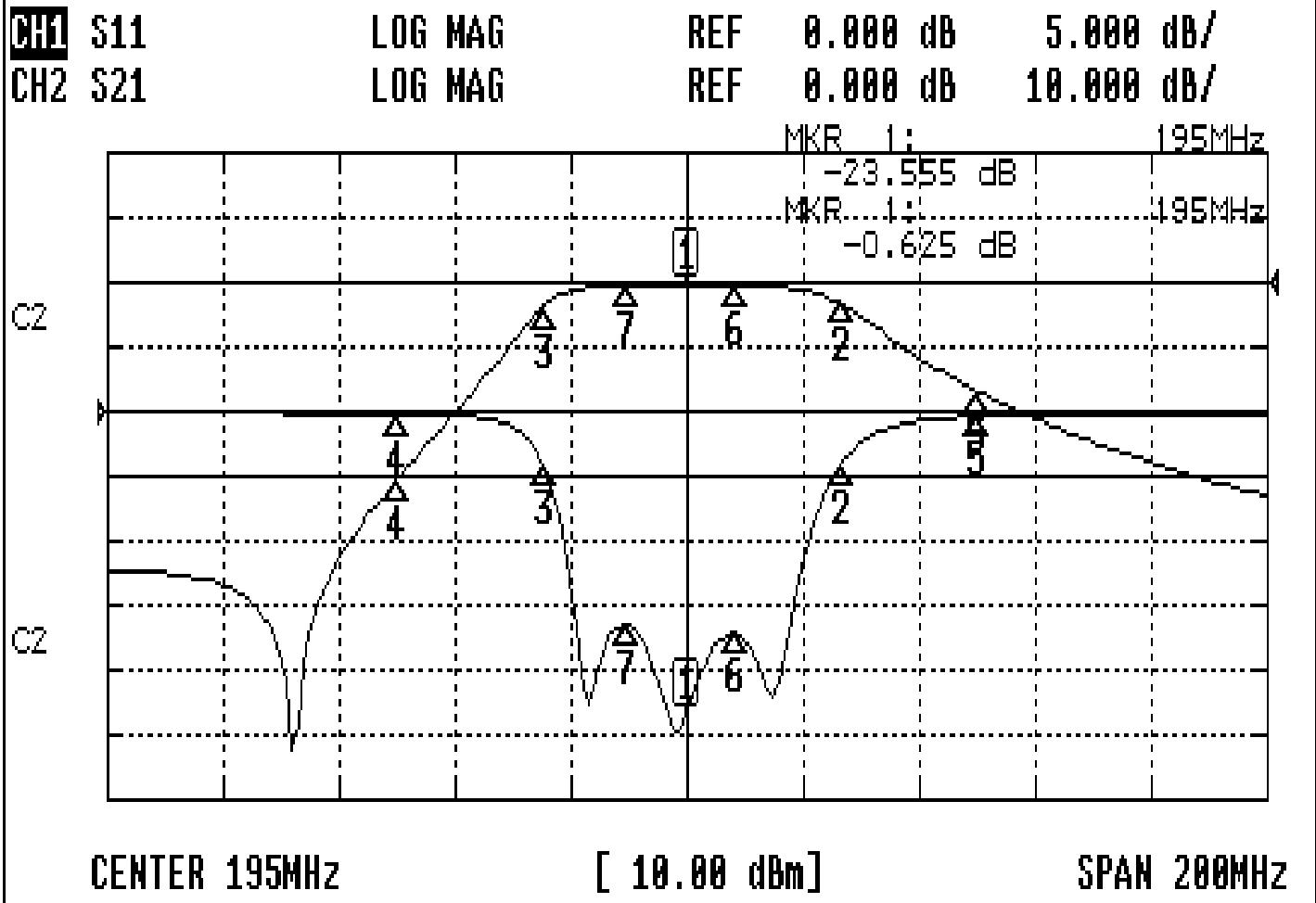


Approval C.Y.Chang	Supervisor C.S.Chang	Designer P.H.Chiang	Aperture size 7H3(4*8.0)F 7H046RB6.5
-----------------------	-------------------------	------------------------	--

TEMWELL CORPORATION

# Performance-TT63216B-195M-50M

## 0801009CD



### CH1 MARKER LIST

1	195.0000MHz	-23.555	0.0000
2	221.8333MHz	-3.953	0.0000
3	170.3333MHz	-4.154	0.0000
4	145.0000MHz	-0.200	0.0000
5	245.0000MHz	-0.360	0.0000
6	203.1666MHz	-17.209	0.0000
7	184.5000MHz	-16.495	0.0000

### CH2 MARKER LIST

1	195.0000MHz	-0.625	0.0000
2	221.8333MHz	-1.133	0.0000
3	170.3333MHz	-0.743	0.0000
4	145.0000MHz	-3.177	0.0000
5	245.0000MHz	-16.786	0.0000
6	203.1666MHz	-0.721	0.0000
7	184.5000MHz	-0.760	0.0000