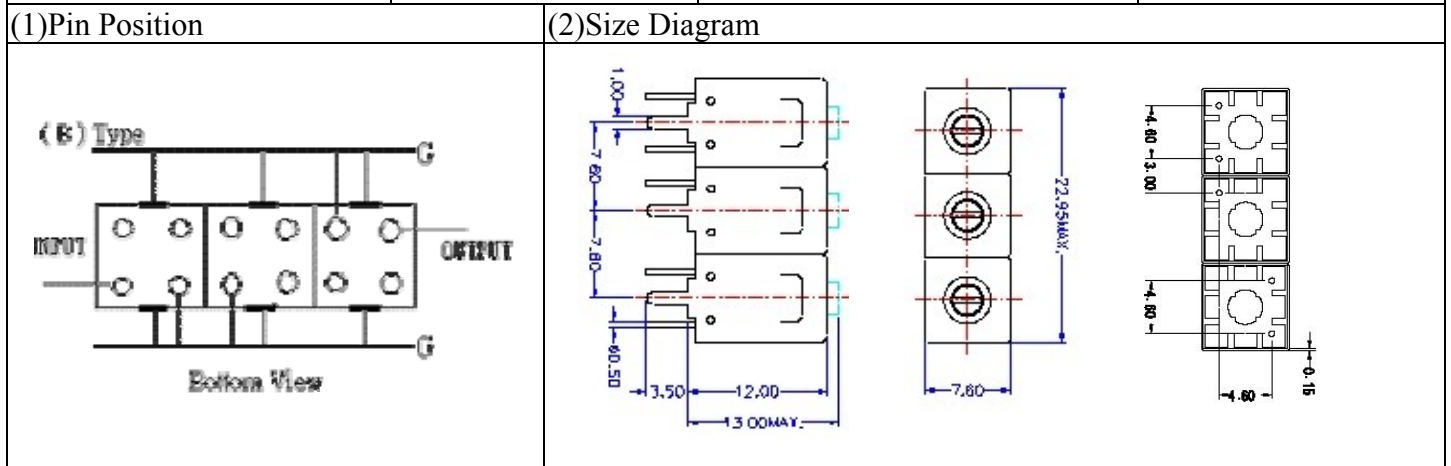


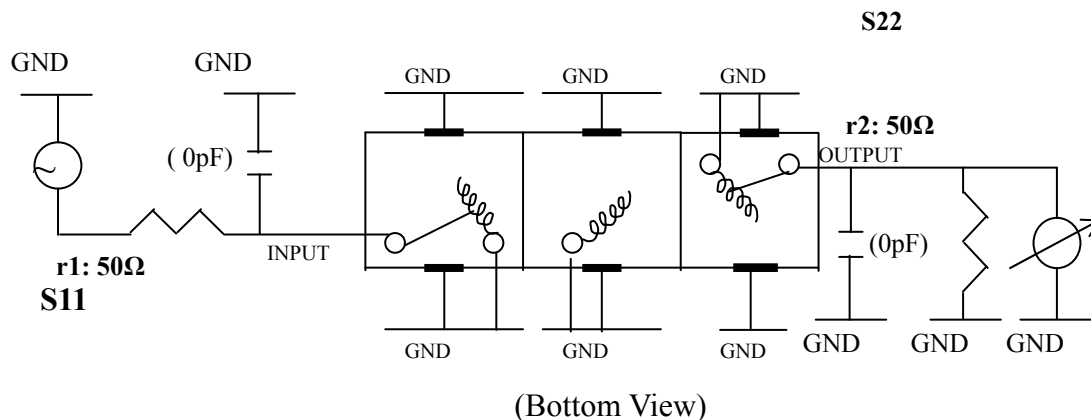
VHF UHF Helical Filter Specification Sheet

Customer Name		Temwell's Part No.	TT63214B-450M
Approval No. /dated	0712063BD	Acceptable Specify Fo Range	401~455MHz
Work Instruction No.	0712063BD	Date	Jan.10.2007



(3) Electric Characteristic		Item	Specify	Performance
		Center Freq.(Fo) +/- 0.5 %	450 MHz	450 MHz
		Tunable Range:	450±3 MHz	450±3 MHz
		Insertion Loss	Typ. 1.5 dB	0.57 dB
		-3 dB Bandwidth	Typ. 110 MHz	117.4 MHz
Sensitivity (Attenuation)	Fo - 200 MHz	Typ. 53 dBc	56 dBc	
	Fo + 200 MHz	Typ. 24 dBc	27 dBc	
	Fo - ()MHz	Typ. dBc	dBc	
	Fo +()MHz	Typ. dBc	dBc	
		Return Loss	Min. 12 dB	27.4 dB
		Ripple	< 1 dB	dB
		Impedance	In / Out : 50 Ω	In / Out : 50 Ω
(4) Torque for Tuning Screw		> 100gf · cm		
(5) Temperature Condition:				
Operating Temperature		0°C ~ +60°C		
Storage Temperature		-20°C ~ +70°C		
(6) Input Power		> 1Watt		

(7) Measuring Circuit: ※Easy to match Impedance S11/S22 50Ω by parallel with about(0pF) / (0pF).



Approval	Supervisor	Designer	Aperture size
C.Y.Chang	C.S.Chang	C.S.Chang	7H3(4*8.0)F 7H046RB6.5

TEMWELL CORPORATION

Performance-TT63214B-450M

0712063BD

Tr1 S11 Log Mag 5.000dB/ Ref 0.000dB [F2]
Tr2 S21 Log Mag 10.00dB/ Ref 0.000dB [F2]



1 Center 450 MHz IFBW 10 kHz Span 400 MHz Cor !

Ch1	Tr1	S11	>1	450.00000	MHz	-27.441	dB
Ch1	Tr1	S11	2	510.32500	MHz	-3.7839	dB
Ch1	Tr1	S11	3	392.97900	MHz	-3.8216	dB
Ch1	Tr1	S11	4	250.00000	MHz	-0.1738	dB
Ch1	Tr1	S11	5	650.00000	MHz	-0.2909	dB
Ch1	Tr2	S21	1	450.00000	MHz	-0.5726	dB
Ch1	Tr2	S21	2	510.32500	MHz	-3.5453	dB
Ch1	Tr2	S21	3	392.97900	MHz	-3.4786	dB
Ch1	Tr2	S21	4	250.00000	MHz	-57.176	dB
Ch1	Tr2	S21	5	650.00000	MHz	-28.474	dB