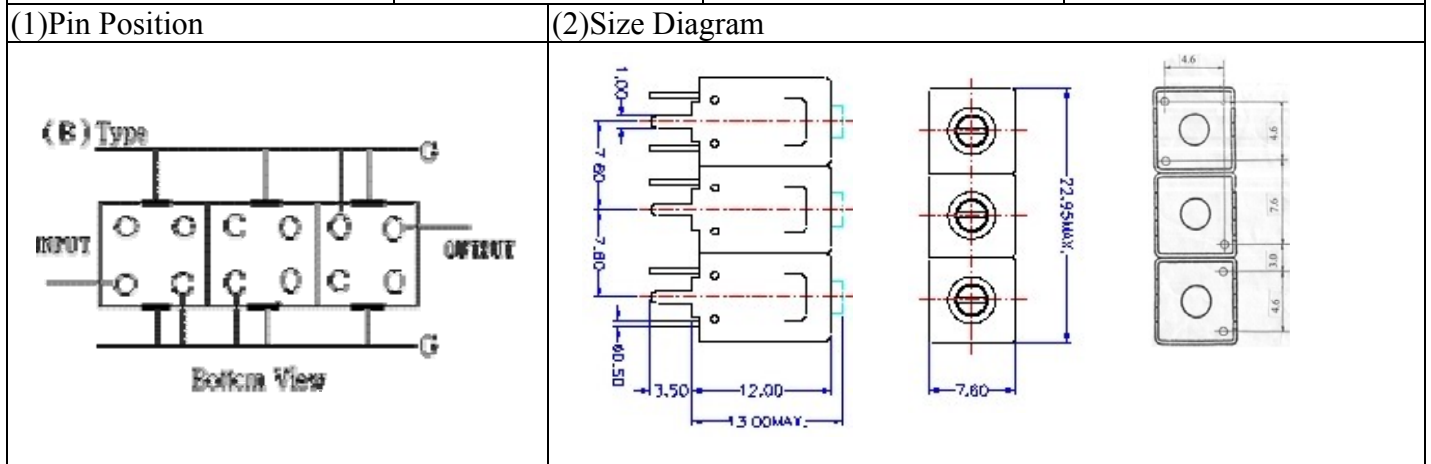


VHF UHF Helical Filter Specification Sheet

Customer Name		Temwell's Part No.	TT63213B-161M
Approval No. /dated	0712061APR	Temwell's print name.	146~165M
Work Instruction No.	0712061BD	Date	Dec.25.2007



(3) Electric Character

Item	Specify	Performance
Center Freq.(Fo) +/- 0.5 %	161 MHz	161 MHz
Tunable Range	161±2 MHz	161±2 MHz
Insertion Loss	Typ. 2.0 dB	1.04 dB
-3 dB Bandwidth	Typ. 28 MHz	29.5 MHz
Sensitivity (Attenuation)	Fo - 50 MHz	Typ. 39 dBc
	Fo + 50 MHz	Typ. 25 dBc
	Fo - ()MHz	Typ. dBc
	Fo +()MHz	Typ. dBc
Return Loss	Min. 12 dB	40.0 dB
Ripple	< 1 dB	dB
Impedance	In / Out : 50 Ω	In / Out : 50 Ω

(4) Torque for Tuning Screw > 100gf · cm

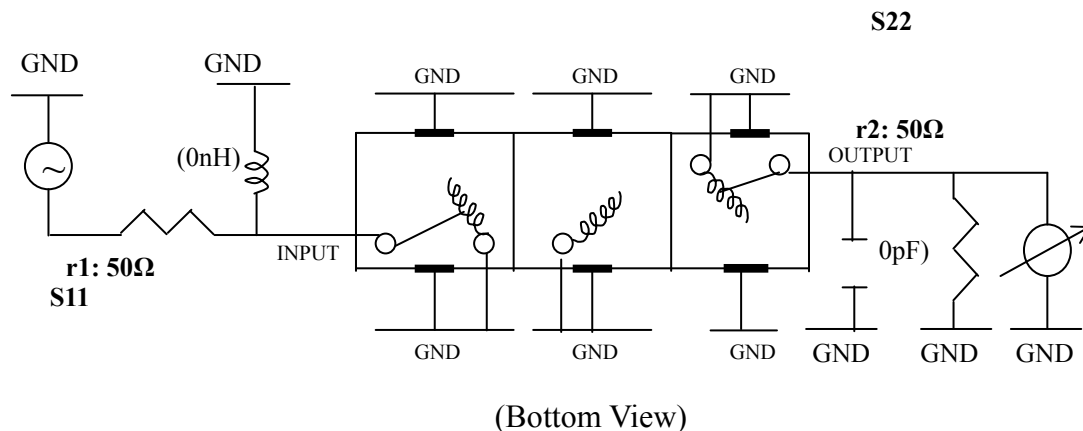
(5) Temperature Condition:

Operating Temperature	0°C ~ +60°C
-----------------------	-------------

Storage Temperature	-20°C ~ +70°C
---------------------	---------------

(6) Input Power > 1Watt

(7) Measuring Circuit: ※Easy to match Impedance S11/S22 50Ω by parallel with about(0nH) / (0pF).

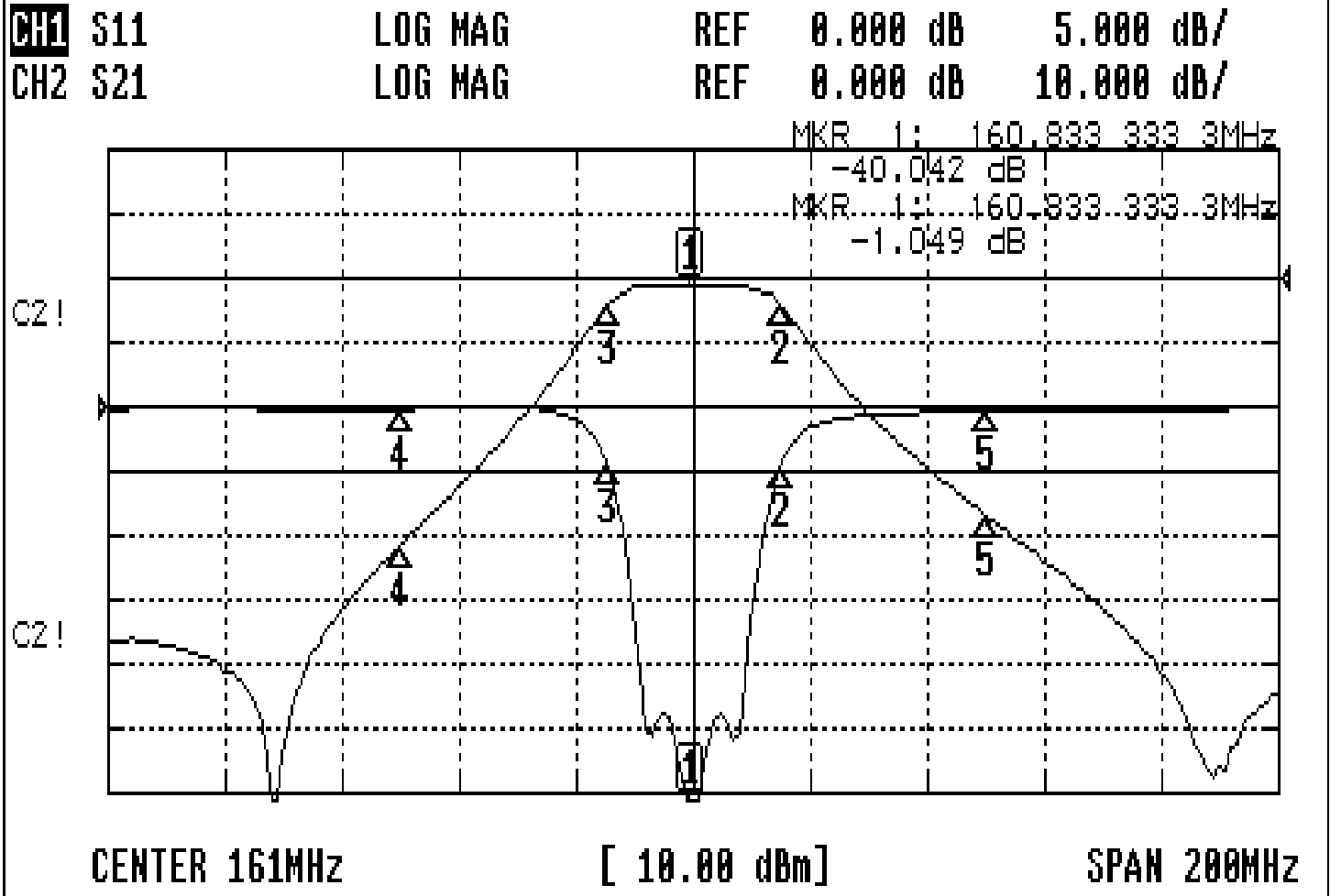


Approval	Supervisor	Designer	Aperture size
C.Y.Chang	C.S.Chang	P.H.Chiang	7H3(4*5.5)F 7H024LB6.5

TEMWELL CORPORATION

Performance-TT63213B-161M

0712061BD



CH1 MARKER LIST

1:	160.833MHz	-39.979 dB
2:	176.000MHz	-4.676 dB
3:	146.500MHz	-4.567 dB
4:	111.000MHz	-0.197 dB
5:	211.000MHz	-0.304 dB

CH2 MARKER LIST

1:	160.833MHz	-1.049 dB
2:	176.000MHz	-4.071 dB
3:	146.500MHz	-4.020 dB
4:	111.000MHz	-41.456 dB
5:	211.000MHz	-36.818 dB