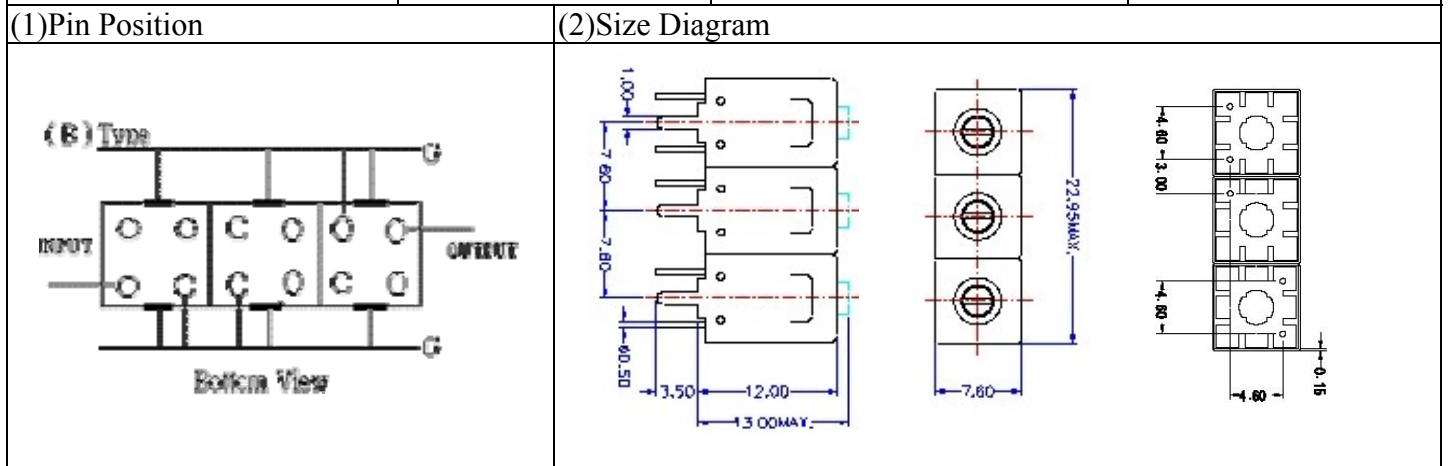


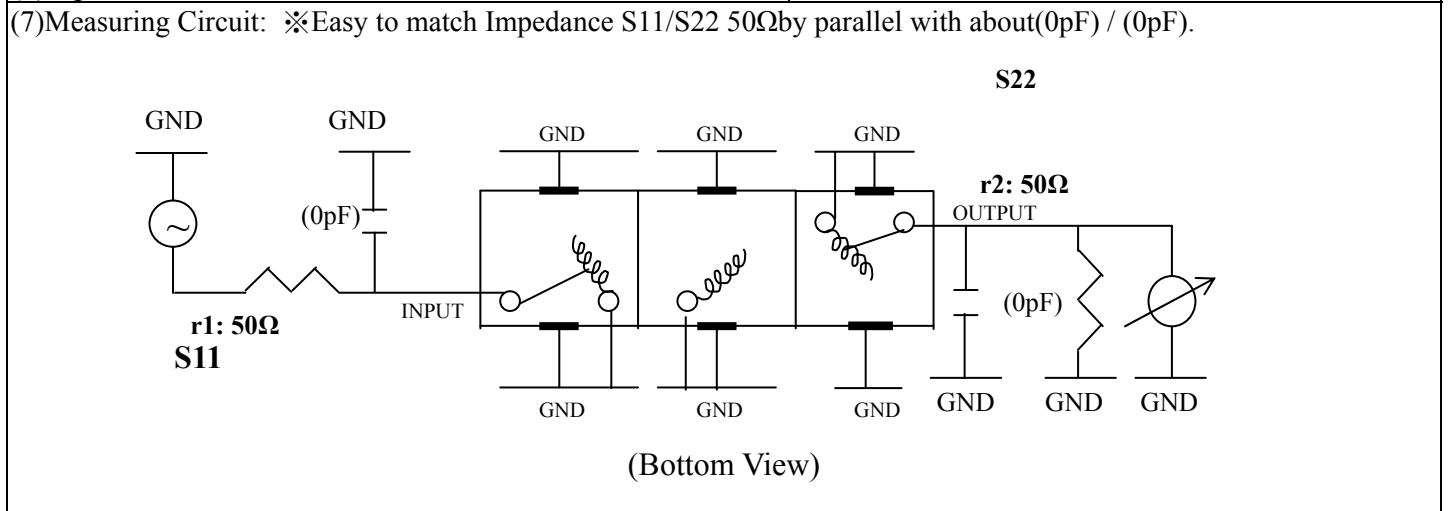
VHF UHF Helical Filter Specification Sheet

Customer Name		Temwell's Part No.	TT63207B-240M
Approval No. /dated	0707256APR	Customer's Print Name.	221~245M
Work Instruction No.	0707256DC	Date	Jul.31.2007



Item		Specify	Performance
Center Freq.(Fo) +/- 0.5 %		240 MHz	240 MHz
Tunable Range:		240±3 MHz	240±3 MHz
Insertion Loss		Typ. 2.0 dB	0.69 dB
-3 dB Bandwidth		Typ. 50 MHz	53.0 MHz
Sensitivity (Attenuation)	Fo - 100 MHz	Typ. 46 dBc	49 dBc
	Fo + 100 MHz	Typ. 29 dBc	32 dBc
	Fo - ()MHz	Typ. dBc	dBc
	Fo +()MHz	Typ. dBc	dBc
Return Loss		Min. 12 dB	21.4 dB
Ripple		< 1 dB	dB
Impedance		In / Out : 50 Ω	In / Out : 50 Ω

(4) Torque for Tuning Screw	> 100gf · cm
(5) Temperature Condition:	
Operating Temperature	0°C ~ +60°C
Storage Temperature	-20°C ~ +70°C
(6) Input Power	> 1Watt

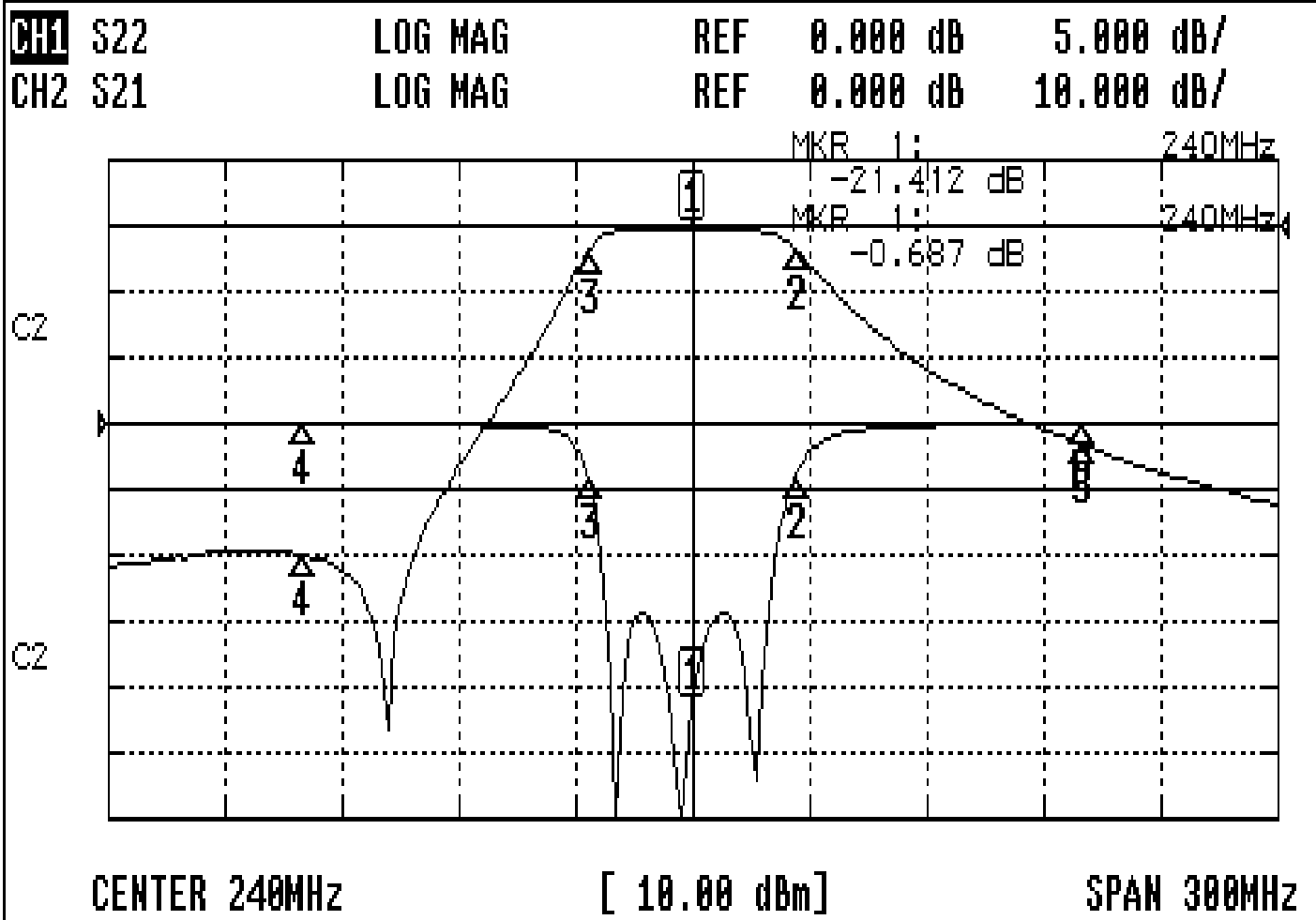


Approval	Supervisor	Designer	Aperture size
C.Y.Chang	C.S.Chang	C.S.Chang	7H3S(4*7.5)F 7H046RB6.5

TEMWELL CORPORATION

Performance-TT63207B-240M

0707256DC



CH1 MARKER LIST

1	240.000MHz	-21.412	dB
2	266.500MHz	-3.986	dB
3	213.500MHz	-4.243	dB
4	140.000MHz	-0.099	dB
5	340.000MHz	-0.035	dB

CH2 MARKER LIST

1	240.000MHz	-0.688	dB
2	266.500MHz	-3.057	dB
3	213.500MHz	-3.751	dB
4	140.000MHz	-49.816	dB
5	340.000MHz	-33.298	dB