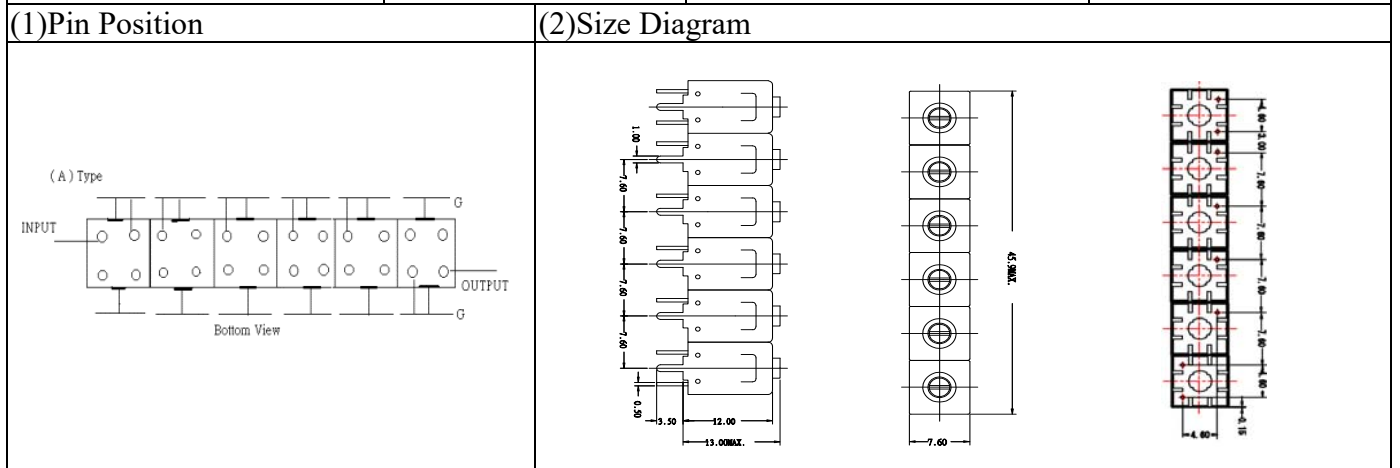


VHF UHF Helical Filter Specification Sheet

Customer Name		Temwell's Part No.	TS6668A-680.5M
Approval No. /dated		Temwell's Print Name.	6668A 680.5M
Work Instruction No.	202001012CD	Date	Feb.13.2020

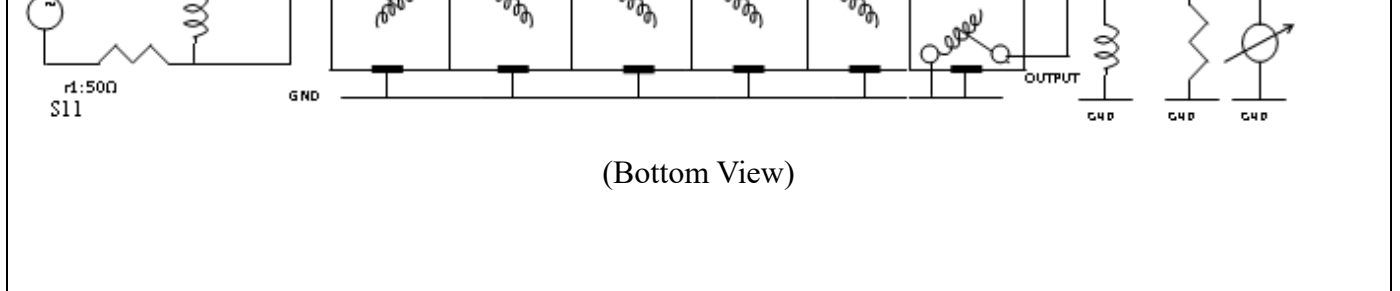


Item			Specify	Performance
Center Freq.(Fo) +/- 0.5 %			680.5 MHz	680.5 MHz
Insertion Loss			Typ. 4.5 dB	3.28 dB
-3 dB Bandwidth			Typ. 35 MHz	37.9 MHz
Sensitivity (Attenuation)	Fo - 50 MHz		Typ. 62 dBc	72 dBc
	Fo + 50 MHz		Typ. 43 dBc	48 dBc
	Fo - ()MHz		Typ. dBc	dBc
	Fo +()MHz		Typ. dBc	dBc
Return Loss			Min. 12 dB	22.0 dB
Ripple			< 1 dB	dB
Impedance			In / Out : 50 Ω	In / Out : 50 Ω

(4) Torque for Tuning Screw > 60gf • cm

(5) Temperature Condition:
 Operating Temperature 0°C ~ +60°C
 Storage Temperature -20°C ~ +70°C

(6) Input Power > 1 Watt

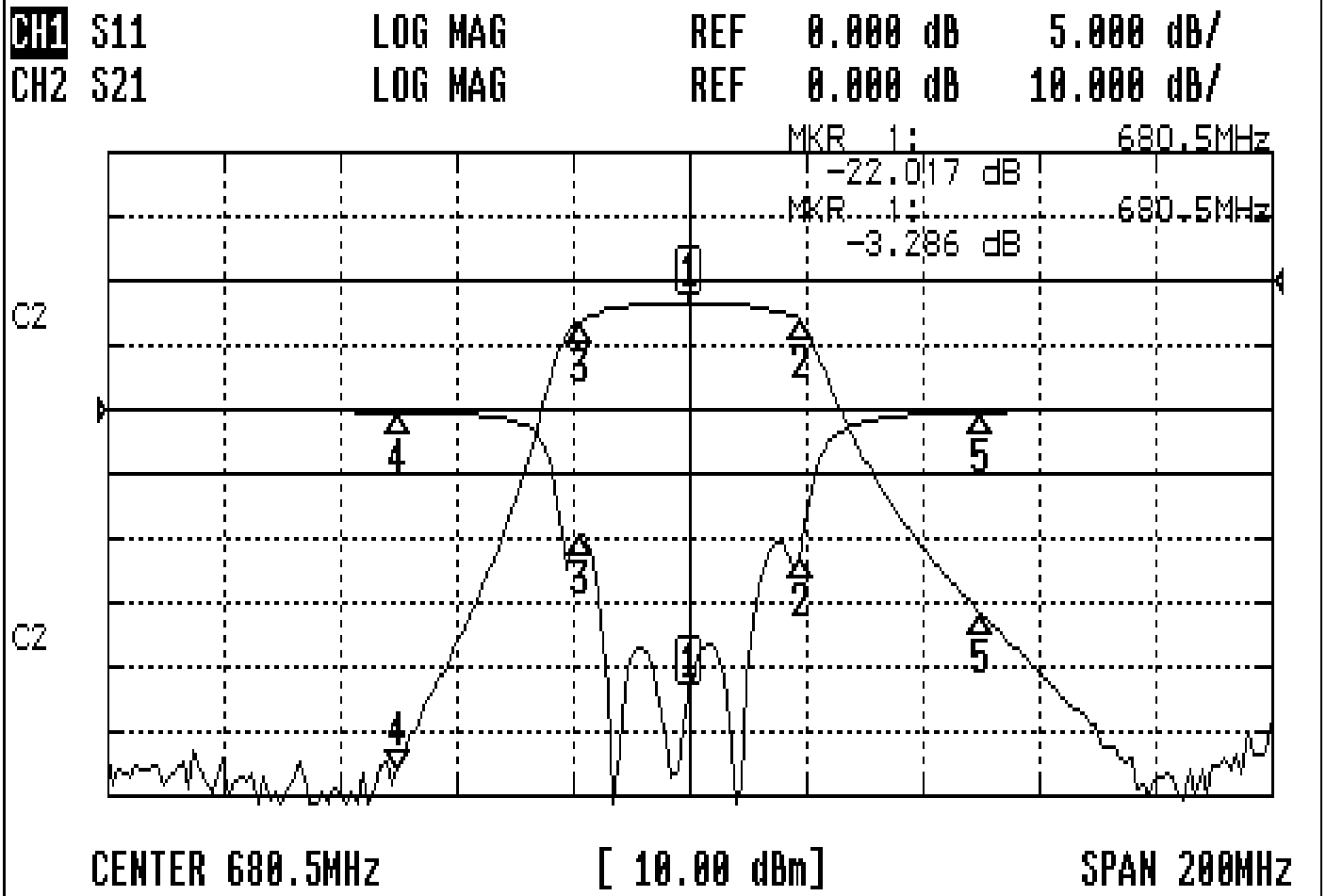


Approval	Supervisor	Designer	Aperture size
C.C.Chang	C.K.Chang	C.H.Yeh	7H6S(4*6.5)(6.54) 7H046LB5

TEMWELL CORPORATION

Performance-TS6668A-680.5M

202001012CD



CH1 MARKER LIST

1:	680.500MHz	-22.017	dB
2:	699.600MHz	-11.482	dB
3:	661.666MHz	-9.726	dB
4:	630.500MHz	-0.201	dB
5:	730.500MHz	-0.196	dB

CH2 MARKER LIST

1:	680.500MHz	-3.286	dB
2:	699.600MHz	-0.000	dB
3:	661.666MHz	-0.000	dB
4:	630.500MHz	-0.000	dB
5:	730.500MHz	-0.000	dB