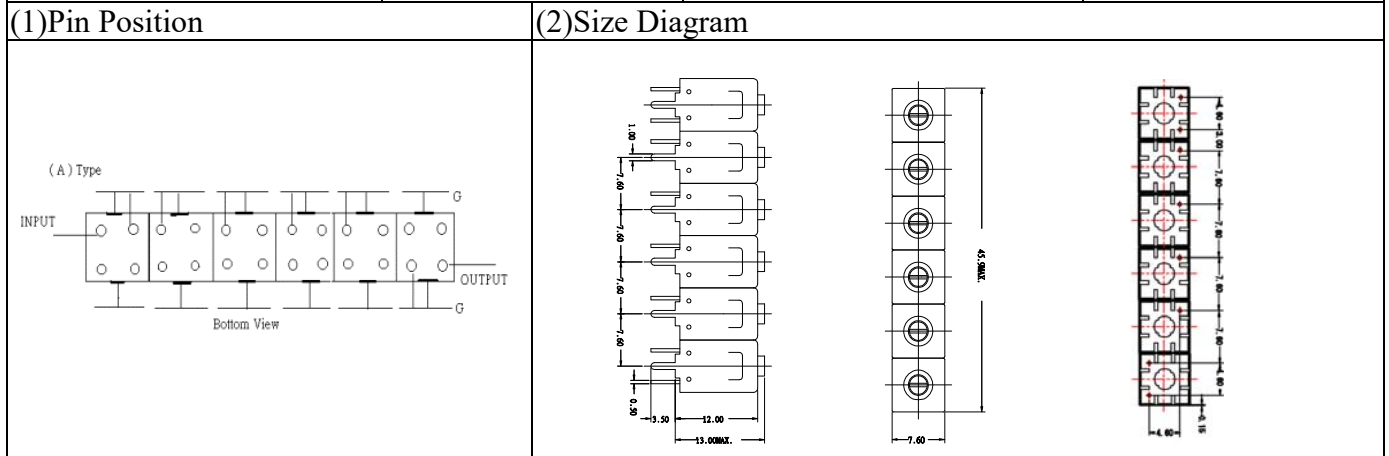


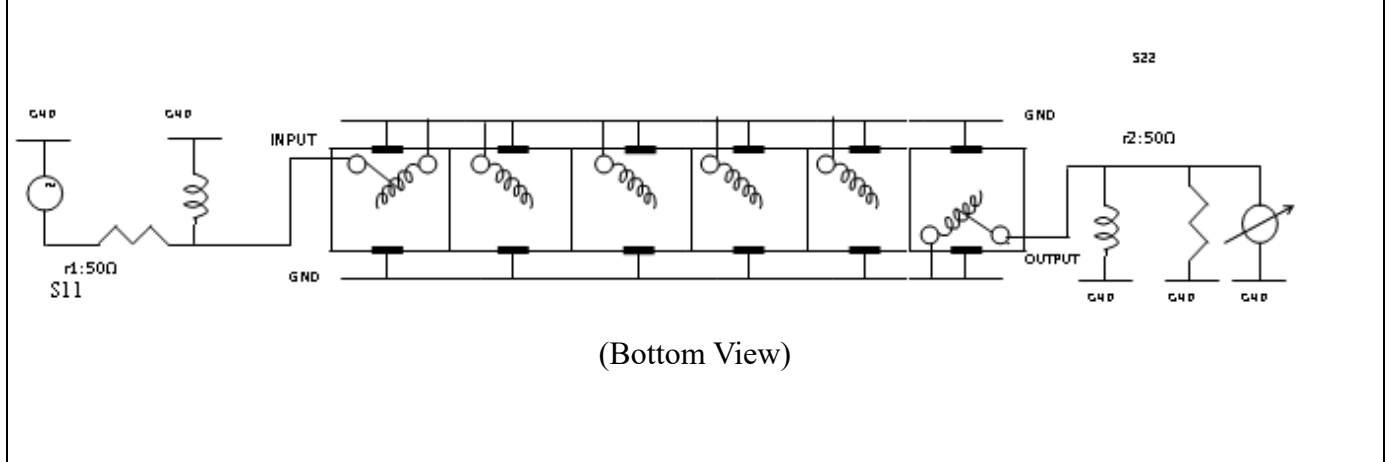
VHF UHF Helical Filter Specification Sheet

Customer Name		Temwell's Part No.	TS6665A-725.5M
Approval No. /dated		Temwell's Print Name.	6665A 725.5M
Work Instruction No.	202001009CD	Date	Feb.12.2020



(3) Electric Charasteric			
Item		Specify	Performance
Center Freq.(Fo) +/- 0.5 %		725.5 MHz	725.5 MHz
Insertion Loss		Typ. 3.5 dB	2.56 dB
-3 dB Bandwidth		Typ. 45 MHz	47.3 MHz
Sensitivity (Attenuation)	Fo - 50 MHz	Typ. 51 dBc	61 dBc
	Fo +50 MHz	Typ. 36 dBc	41 dBc
	Fo - ()MHz	Typ. dBc	dBc
	Fo +()MHz	Typ. dBc	dBc
Return Loss		Min. 12 dB	23.2 dB
Ripple		< 1 dB	dB
Impedance		In / Out : 50 Ω	In / Out : 50 Ω
(4) Torque for Tuning Screw		> 60gf • cm	
(5) Temperature Condition:			
Operating Temperature		0°C ~ +60°C	
Storage Temperature		-20°C ~ +70°C	
(6) Input Power		> 1Watt	

(7) Measuring Circuit: ※Easy to match Impedance S11/S22 50Ω/ by parallel with about(- -).



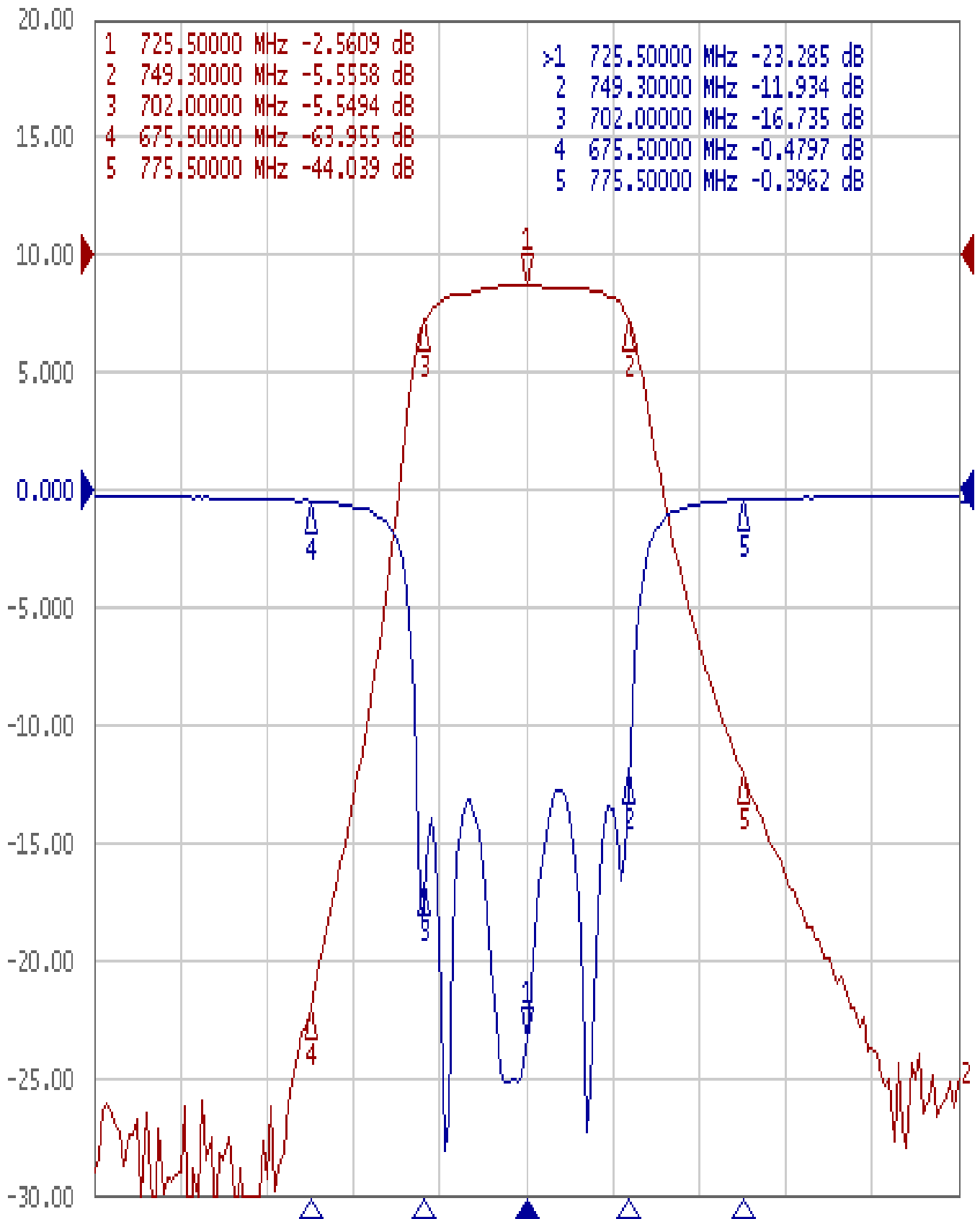
Approval	Supervisor	Designer	Aperture size
C.C.Chang	C.K.Chang	W.W.Wang	7H6S(4*6.5)(6.53) 7H046LB5

TEMWELL CORPORATION

Performance-TS6665A-725.5M

202001009CD

Tr1 S11 Log Mag 5.000dB/ Ref 0.000dB [F2]
Tr2 S21 Log Mag 10.00dB/ Ref 0.000dB [F2]



1 Center 725.5 MHz

IFBW 70 kHz

Span 200 MHz Cor !