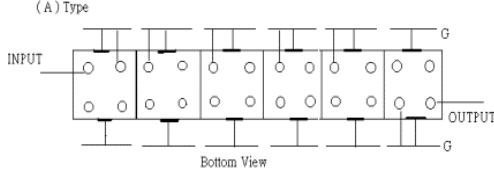
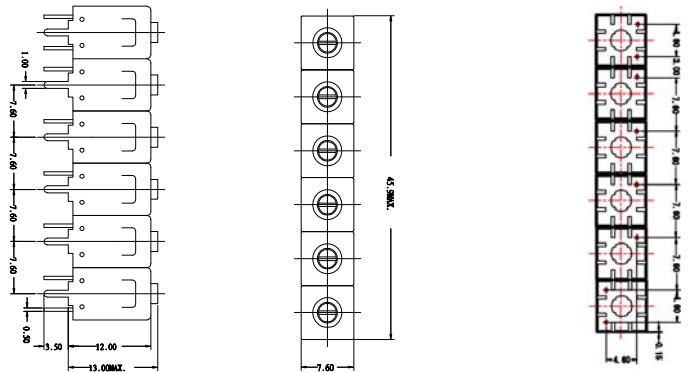
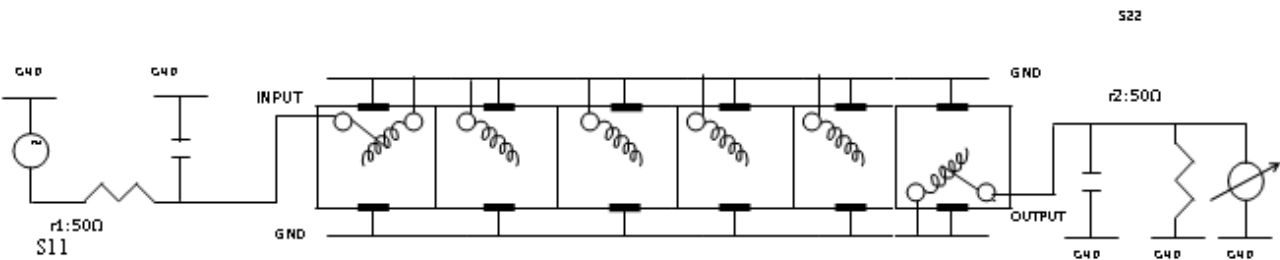


# VHF UHF Helical Filter Specification Sheet

Customer Name		Temwell's Part No.	TS6663A-847M
Approval No. /dated		Temwell's Print Name.	6663A 847M
Work Instruction No.	202001007CD	Date	Feb.06.2020

(1)Pin Position	(2)Size Diagram
 <p style="text-align: center;">(A) Type Bottom View</p>	

(3)Electric Charasteric			
Item	Specify	Performance	
Center Freq.(Fo) +/- 0.5 %	847 MHz	847	MHz
Insertion Loss	Typ. 4.5 dB	3.69	dB
-3 dB Bandwidth	Typ. 30 MHz	32.8	MHz.
Sensitivity (Attenuation)	Fo - 50 MHz	Typ. 60 dBc	75 dBc
	Fo + 50 MHz	Typ. 60 dBc	70 dBc
	Fo - ( )MHz	Typ. dBc	dBc
	Fo +( )MHz	Typ. dBc	dBc
Return Loss	Min. 12 dB	25.3	dB
Ripple	< 1 dB		dB
Impedance	In / Out : 50 Ω	In / Out : 50 Ω	
(4)Torque for Tuning Screw		> 60gf • cm	
(5)Temperature Condition:			
Operating Temperature	0°C ~ +60°C		
Storage Temperature	-20°C ~ +70°C		
(6)Input Power		> 1 Watt	

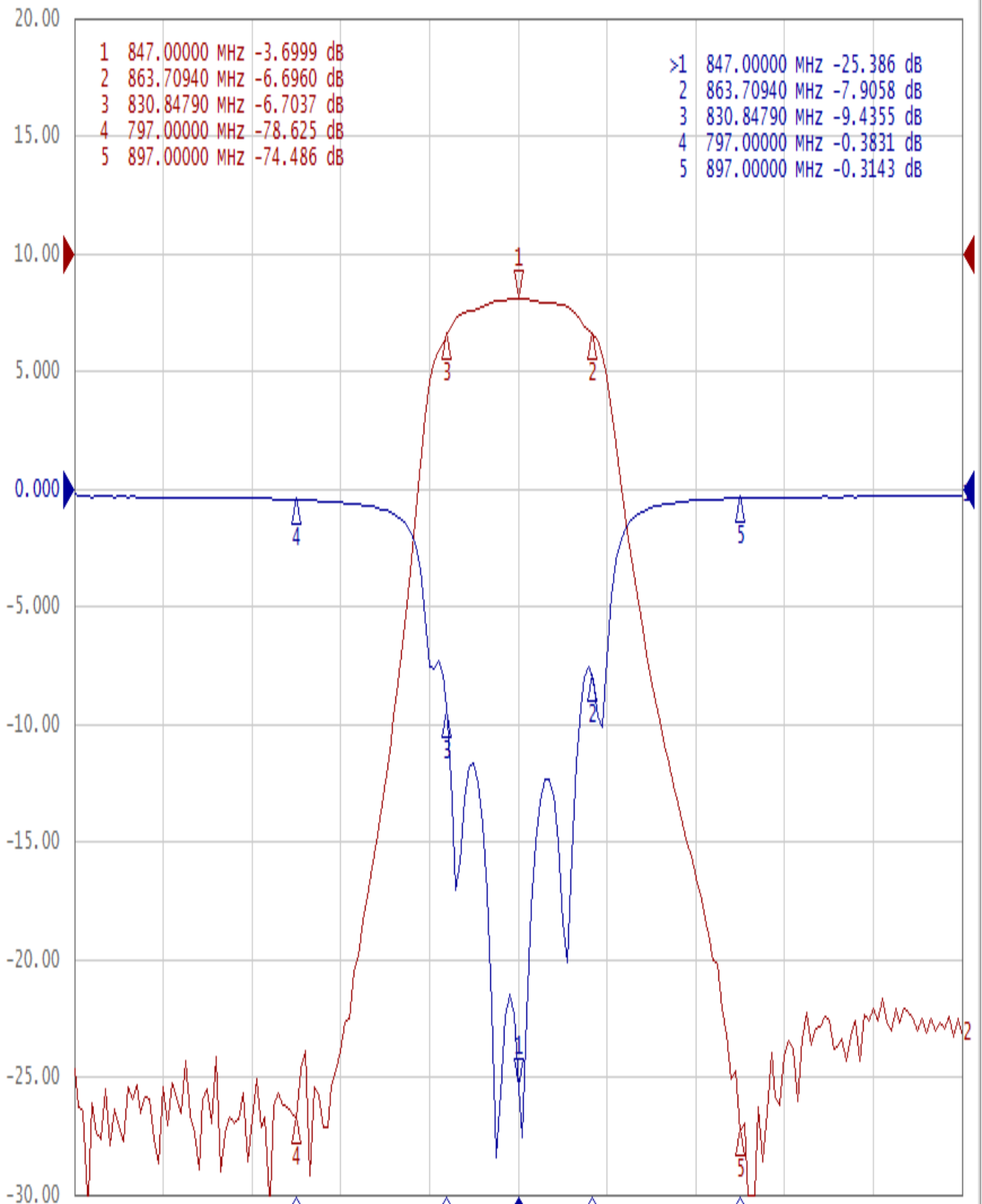
(7)Measuring Circuit: ※Easy to match Impedance S11/S22 50Ω by parallel with about(- -).			
			
(Bottom View)			

Approval	Supervisor	Designer	Aperture size
C.Y.Chang	C.K.Chang	C.S.Chang	7H6S(4*5.6)(5.65) 7H046LB4.3 聚 3

# Performance-TS6663A-847M

## 20201007CD

Tr1 S11 Log Mag 5.000dB/ Ref 0.000dB [F2]  
Tr2 S21 Log Mag 10.00dB/ Ref 0.000dB [F2]



1 Center 847 MHz

IFBW 70 kHz

Span 200 MHz Cor I