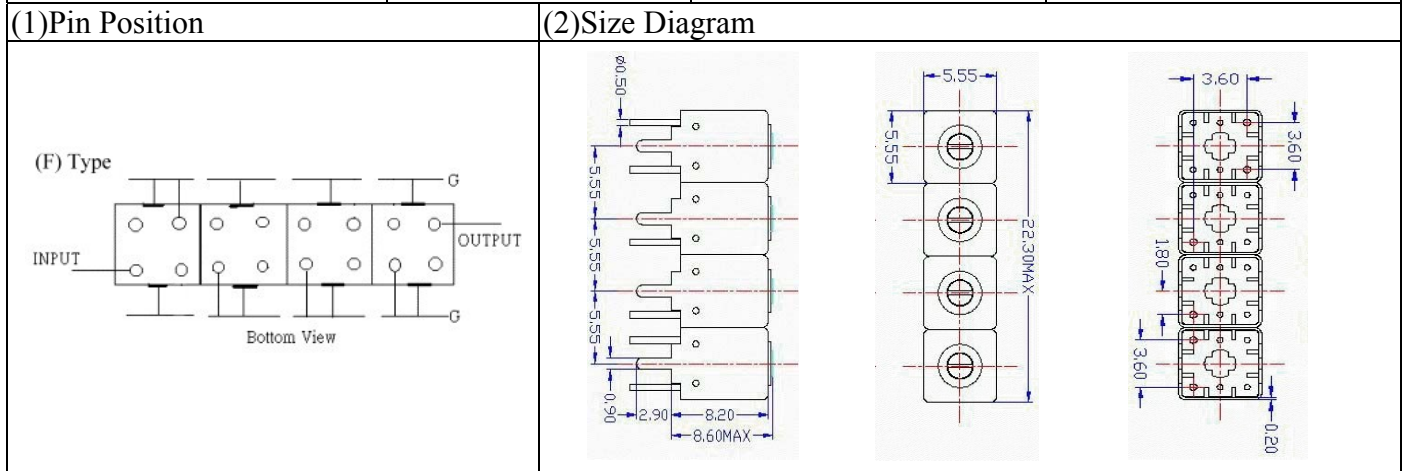


VHF UHF Helical Filter Specification Sheet

Customer Name		Temwell's Part No.	TFWL4473F-614M
Approval No. /dated	20504038APR	Temwell,s print name	
Work Instruction No.	20504038DB	Date	Apr.25.2005



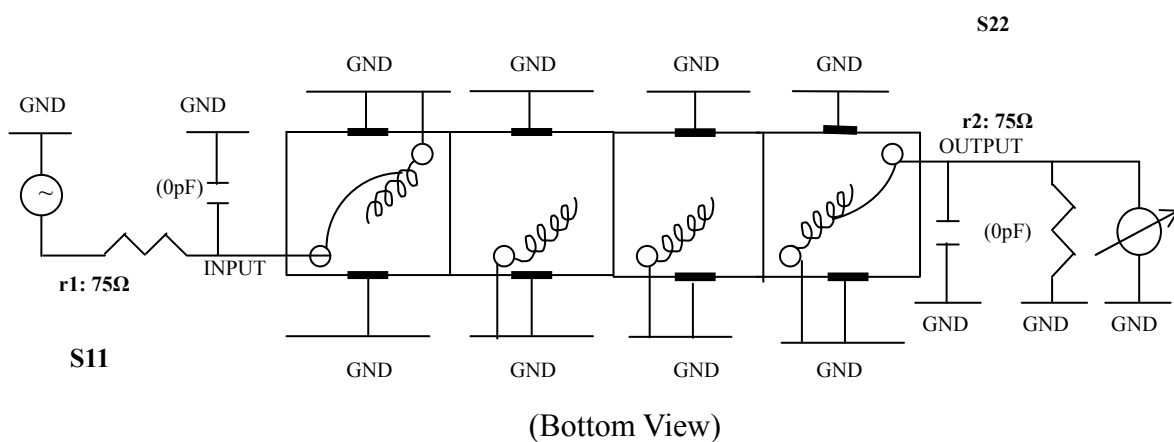
(3) Electric Charasteric			
Item		Specify	Performance
Center Freq.(Fo) +/- 0.5 %		614 MHz	614 MHz
Insertion Loss		Typ. 3.5 dB	2.25 dB
-2 dB Bandwidth		Typ. 26 MHz	34 MHz
Sensitivity (Attenuation)	Fo - 70 MHz	Typ. 55 dBc	59 dBc
	Fo + 70 MHz	Typ. 45 dBc	48 dBc
	Fo - ()MHz	Typ. dBc	dBc
	Fo +()MHz	Typ. dBc	dBc
Return Loss		Min. 12 dB	46 dB
Ripple		< 1 dB	dB
Impedance		In / Out : 75 Ω	In / Out : 75 Ω

(4) Torque for Tuning Screw > 60gf · cm

(5) Temperature Condition:	
Operating Temperature	-30°C ~ +70°C
Storage Temperature	-30°C ~ +80°C

(6) Input Power > 1Watt

(7) Measuring Circuit: ※Easy to match Impedance S11/S22 75Ω by parallel with about(0 pF) / (0 pF).



Approval	Supervisor	Designer	Aperture size
C.Y.Chang	C.S.Chang	C.S.Chang	5W4S(3.8*4.5) 5HW024LB3

TEMWELL CORPORATION

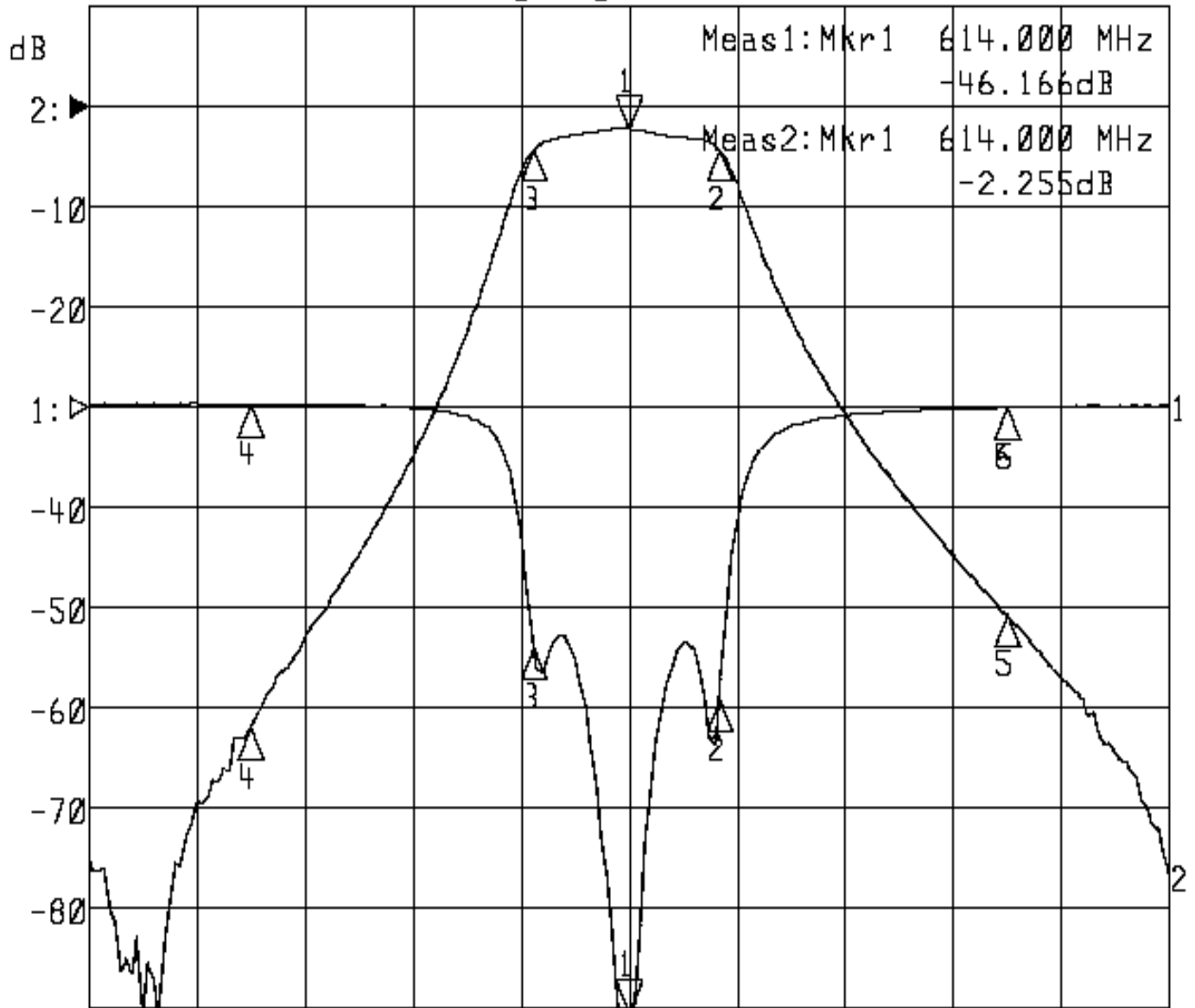
TEMWELL

Form10-5H4F Vision D

Performance-TFWL4473F-614M

20504038DB

▶1:S11 Refl Port1 Log Mag 5.0 dB/ Ref 0.00 dB C
▶2:S21 Fwd Trans Log Mag 10.0 dB/ Ref 0.00 dB C



Center 614.000 MHz

Span 200.000 MHz

1:Mkr (MHz)	dB	2:Mkr (MHz)	dB
1> 614.0000	-46.166	1> 614.0000	-2.255
2: 630.6667	-14.580	2: 630.6667	-4.226
3: 596.4667	-12.062	3: 596.4667	-4.238
4: 544.0000	0.092	4: 544.0000	-61.883
5: 684.0000	-0.047	5: 684.0000	-50.802
6: 684.0000	-0.047		