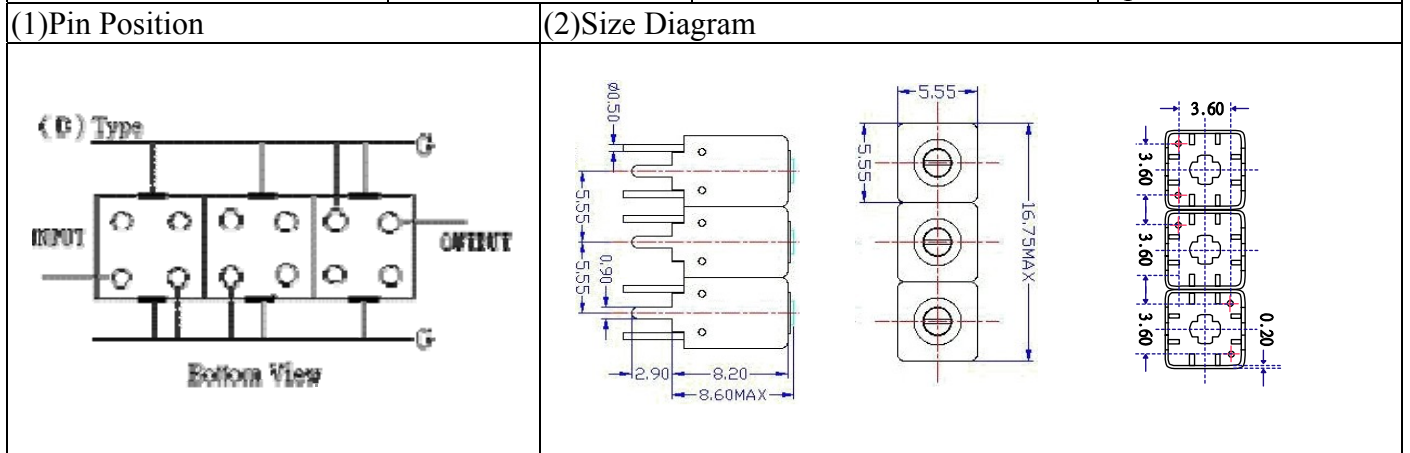
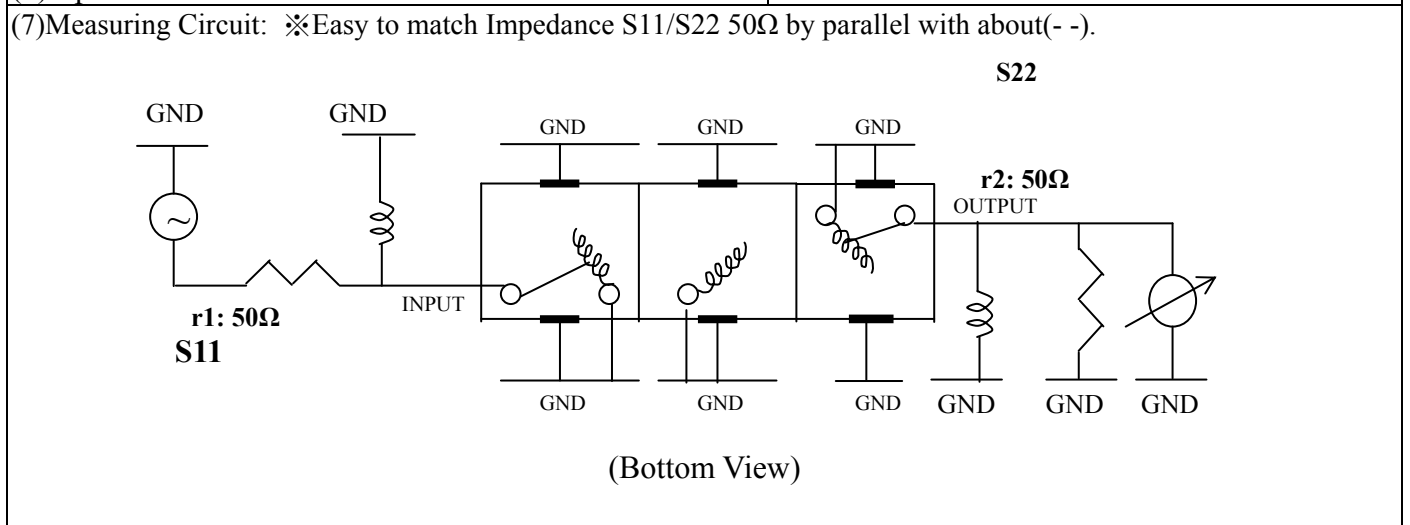


VHF UHF Helical Filter Specification Sheet

Customer Name		Temwell's Part No.	TFW41050B-700M
Approval No. /dated	201802057CD	Temwell's Print Name.	41050B 700M
Work Instruction No.	201802057CD	Date	Apr.03.2018



(3) Electric Character			
Item	Specify	Performance	
Center Freq.(Fo) +/- 0.5 %	700 MHz	700 MHz	
Insertion Loss	Typ. 20.0 dB	15.8 dB	
-3 dB Bandwidth	Typ. 2 MHz	6.0 MHz	
Sensitivity (Attenuation)	Fo - 50 MHz	Typ. 46 dBc	55 dBc
	Fo + 50 MHz	Typ. 48 dBc	58 dBc
	Fo - ()MHz	Typ. dBc	dBc
	Fo +()MHz	Typ. dBc	dBc
Return Loss	Min. 12 dB	33.4 dB	
Ripple	< 1 dB	dB	
Impedance	In / Out : 50 Ω	In / Out : 50 Ω	
(4) Torque for Tuning Screw		> 60gf · cm	
(5) Temperature Condition:			
Operating Temperature	0°C ~ +60°C		
Storage Temperature	-20°C ~ +70°C		
(6) Input Power	> 0.5Watt		



Approval	Supervisor	Designer	Aperture size
C.Y.Chang	C.K.Chang	P.H.Chiang	5W3S(3.8*3.5)(3.57) 5HW024RB3
TEMWELL CORPORATION			

Performance-TFW41050B-700M

201802057CD

