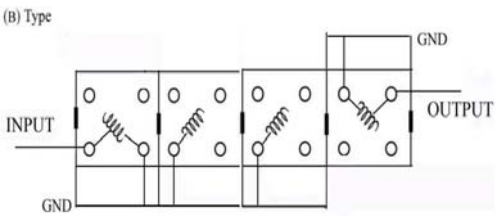
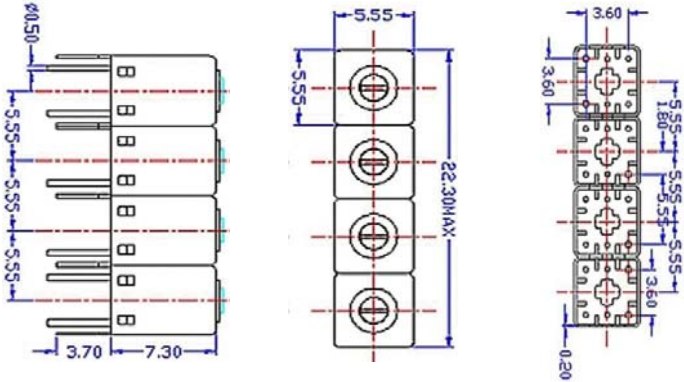


# VHF UHF Helical Filter Specification Sheet

Customer Name		Temwell's Part No.	TFR4809B-1375M
Approval No. /dated	20205024DC	Acceptable Specify Fo. Range	1350~1400MHz
Work Instruction No.	20205024DC	Date	2002.05.17

(1)Pin Position	(2)Size Diagram
 <p>(B) Type</p> <p>INPUT</p> <p>OUTPUT</p> <p>GND</p> <p>(Bottom View)</p>	

### (3)Electric Character

Item	Specify	Performance	
Center Freq.(Fo ) +/- 0.5 %	1375 MHz	1375 MHz	
Insertion Loss	Typ. 9.5 dB	8.7 dB	
-3 dB Bandwidth	Typ. 21 MHz	35 MHz	
Sensitivity (Attenuation )	Fo - 50 MHz	Typ. 30 dBc	33 dBc
	Fo + 50 MHz	Typ. 25 dBc	28 dBc
	Fo - ( )MHz	Typ. dBc	dBc
	Fo +( )MHz	Typ. dBc	dBc
Return Loss	Min. 12 dB	17 dB	
Ripple	< 1 dB	dB	
Impedance	In / Out : 50 Ω	In / Out : 50 Ω	
(4)Torque for Tuning Screw	> 60gf • cm		

### (5)Temperature Condition:

Operating Temperature	-30°C ~ +70°C
Storage Temperature	-30°C ~ +80°C

### (6)Input Power

> 1Watt
---------

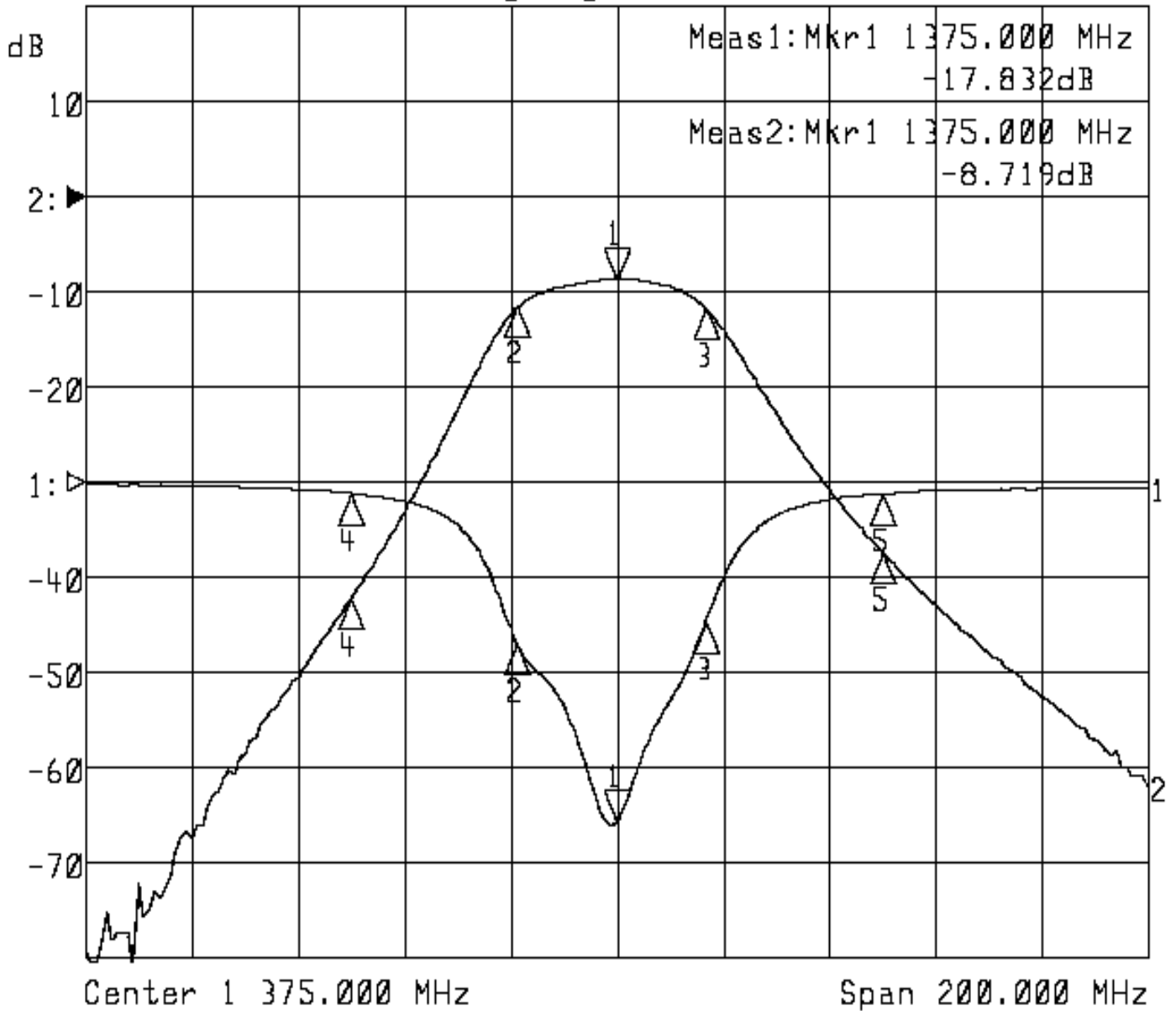
Approval	Supervisor	Designer	Aperture size
C.Y.Chang	C.S.Chang	C.S.Chang	5R4S(3.8*4.2)

TEMWELL CORPORATION

# Performance-TFR4809B-1375M

## 20205024DC

▷1:S11 Refl Port1 Log Mag 5.0 dB/ Ref 0.00 dB C  
▶2:S21 Fwd Trans Log Mag 10.0 dB/ Ref 0.00 dB C



1:Mkr (MHz)	dB	2:Mkr (MHz)	dB
1> 1375.0000	-17.832	1> 1375.0000	-8.719
2: 1356.3333	-8.551	2: 1356.3333	-11.615
3: 1391.6000	-7.372	3: 1391.6000	-11.729
4: 1325.0000	-0.603	4: 1325.0000	-42.170
5: 1425.0000	-0.638	5: 1425.0000	-37.400