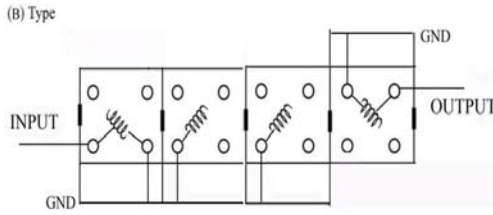
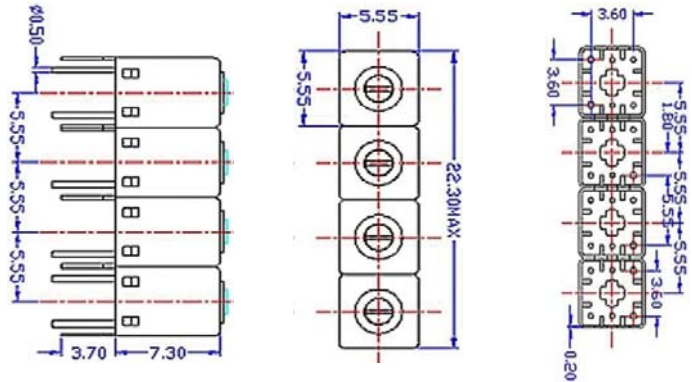


VHF UHF Helical Filter Specification Sheet

Customer Name		Temwell's Part No.	TFR4775B-1275M
Approval No. /dated	20205023DC	Acceptable Specify Fo. Range	1250~1300MHz
Work Instruction No.	20205023DC	Date	May 17,2002

<p>(1)Pin Position</p>  <p style="text-align: center;">(Bottom View)</p>	<p>(2)Size Diagram</p> 
---	---

(3)Electric Character

Item	Specify	Performance
Center Freq.(Fo) +/- 0.5 %	1275 MHz	1275 MHz
Insertion Loss	Typ. 8.0 dB	7.3 dB
-3 dB Bandwidth	Typ. 19 MHz	32 MHz
Sensitivity (Attenuation)	Fo - 50 MHz	Typ. 38 dBc
	Fo + 50 MHz	Typ. 31 dBc
	Fo - ()MHz	Typ. dBc
	Fo +()MHz	Typ. dBc
Return Loss	Min. 12 dB	25 dB
Ripple	< 1 dB	dB
Impedance	In / Out : 50 Ω	In / Out : 50 Ω

(4)Torque for Tuning Screw > 60gf • cm

(5)Temperature Condition:

Operating Temperature	-30°C ~ +70°C
Storage Temperature	-30°C ~ +80°C

(6)Input Power > 1Watt

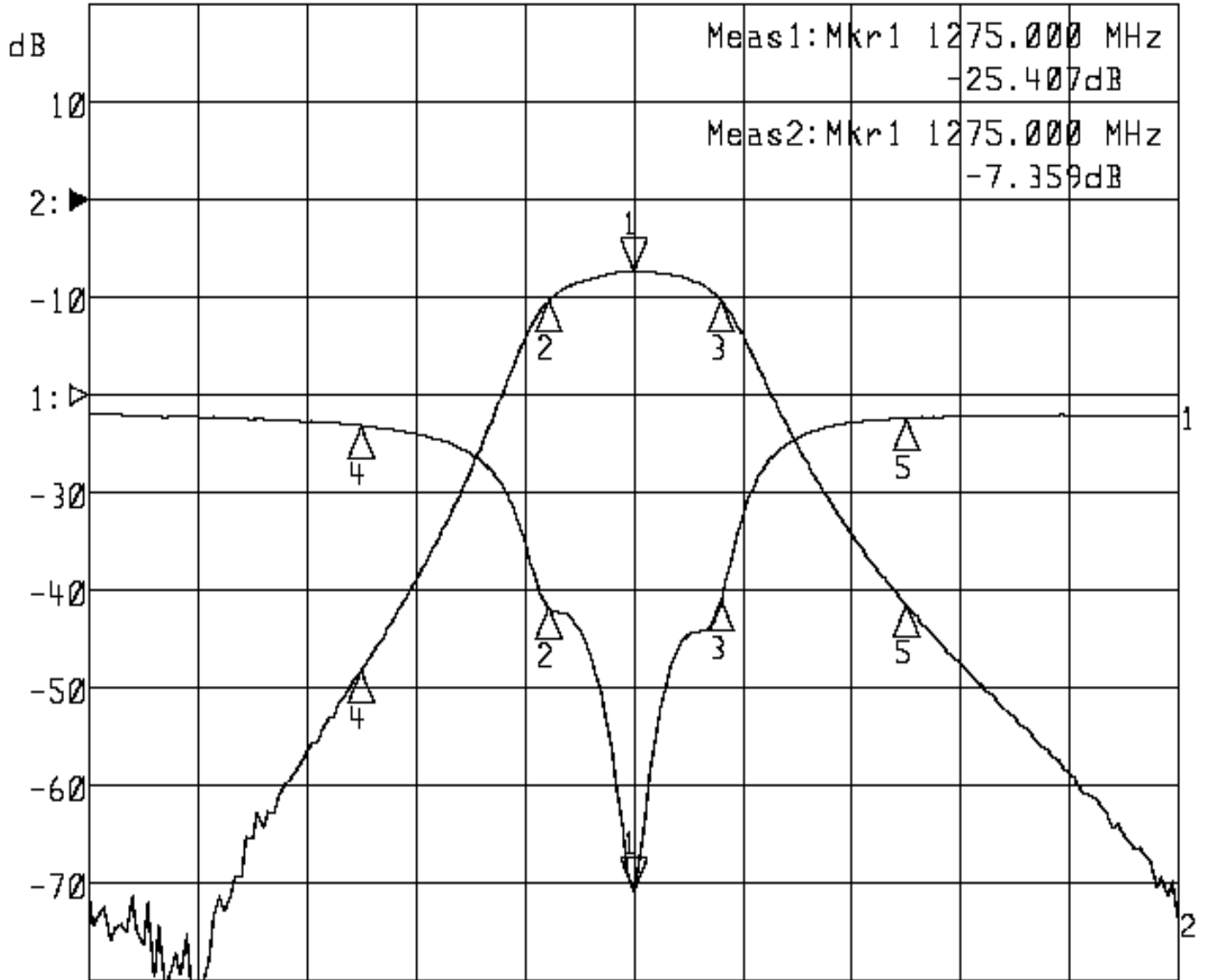
Approval	Supervisor	Designer	Aperture size
C.Y.Chang	C.S.Chang	C.S.Chang	5R4S(3.8*3.7)

TEMWELL CORPORATION

Performance-TFR4775B-1275M

20205023DC

▽1: S11 Refl Port1 Log Mag 5.0 dB/ Ref 0.00 dB C
 ▼2: S21 Fwd Trans Log Mag 10.0 dB/ Ref 0.00 dB C



Meas1: Mkr1 1275.000 MHz
 -25.407dB
 Meas2: Mkr1 1275.000 MHz
 -7.359dB

Center 1 275.000 MHz

Span 200.000 MHz

1: Mkr (MHz)	dB	2: Mkr (MHz)	dB
1> 1275.0000	-25.407	1> 1275.0000	-7.359
2: 1259.4000	-10.864	2: 1259.4000	-10.373
3: 1291.1333	-10.476	3: 1291.1333	-10.349
4: 1225.0000	-1.568	4: 1225.0000	-48.234
5: 1325.0000	-1.204	5: 1325.0000	-41.446