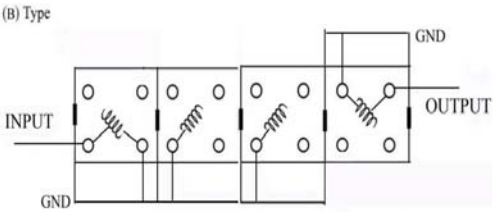
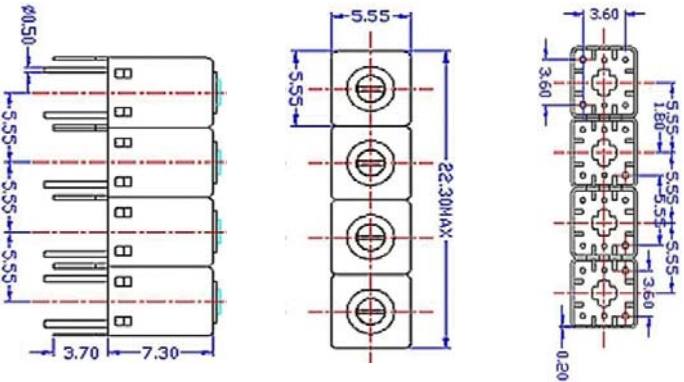


VHF UHF Helical Filter Specification Sheet

Customer Name		Temwell's Part No.	TFR4769B-975M
Approval No. /dated	20205022DC	Acceptable Specify Fo. Range	950~1000MHz
Work Instruction No.	20205022DC	Date	2002.05.17

(1)Pin Position	(2)Size Diagram
 <p>(Bottom View)</p>	

(3)Electric Character

Item	Specify	Performance
Center Freq.(Fo) +/- 0.5 %	975 MHz	975 MHz
Insertion Loss	Typ. 5.0 dB	4.1 dB
-3 dB Bandwidth	Typ. 24 MHz	34 MHz
Sensitivity (Attenuation)	Fo - 50 MHz	Typ. 40 dBc
	Fo + 50 MHz	Typ. 30 dBc
	Fo - ()MHz	Typ. dBc
	Fo +()MHz	Typ. dBc
Return Loss	Min. 12 dB	16 dB
Ripple	< 1 dB	dB
Impedance	In / Out : 50 Ω	In / Out : 50 Ω

(4)Torque for Tuning Screw > 60gf • cm

(5)Temperature Condition:

Operating Temperature	-30°C ~ +70°C
Storage Temperature	-30°C ~ +80°C
(6)Input Power	> 1Watt

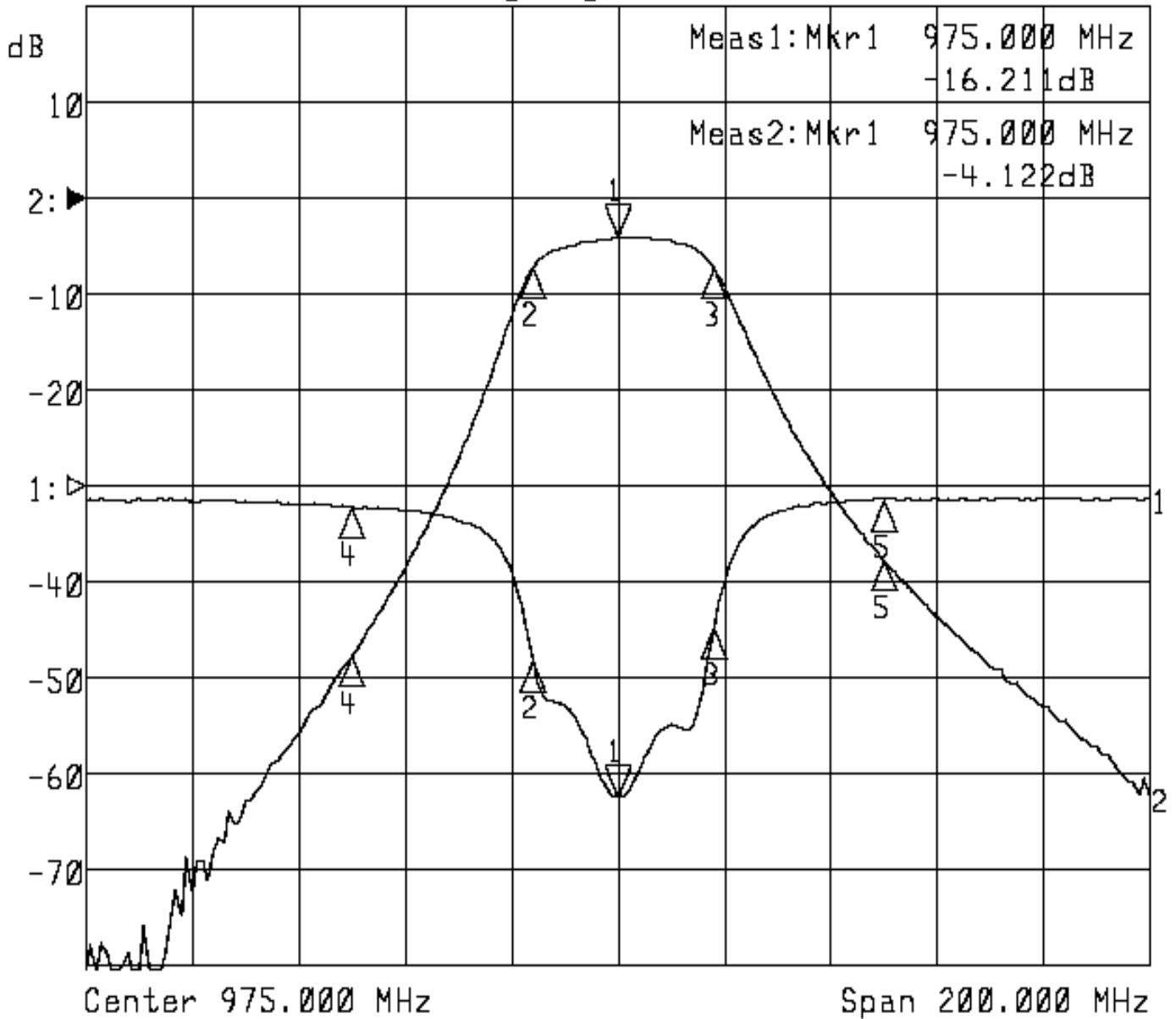
Approval	Supervisor	Designer	Aperture size
C.Y.Chang	C.S.Chang	C.S.Chang	5R4S(3.8*3.7)

TEMWELL CORPORATION

Performance-TFR4769B-975M

20205022DC

▷1: S11 Refl Port1 Log Mag 5.0 dB/ Ref 0.00 dB C
▶2: S21 Fwd Trans Log Mag 10.0 dB/ Ref 0.00 dB C



1: Mkr (MHz)	dB	2: Mkr (MHz)	dB
1> 975.0000	-16.211	1> 975.0000	-4.122
2: 959.1333	-9.110	2: 959.1333	-7.133
3: 993.0000	-7.428	3: 993.0000	-7.145
4: 925.0000	-1.079	4: 925.0000	-47.833
5: 1025.0000	-0.717	5: 1025.0000	-37.752