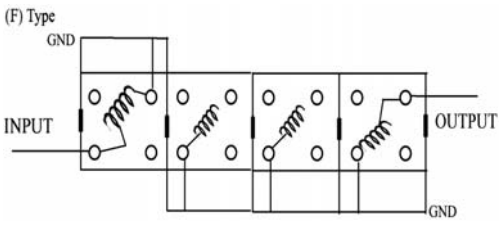
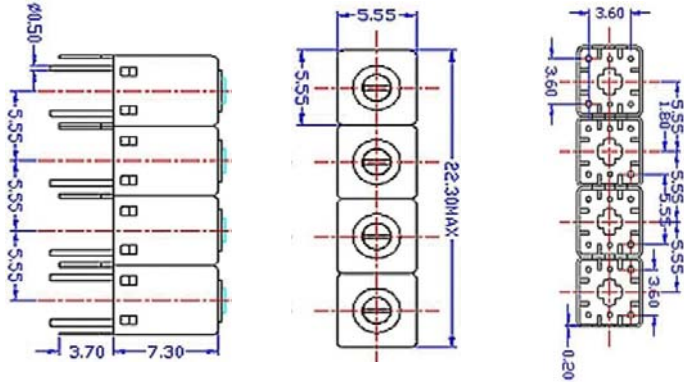


# VHF UHF Helical Filter Specification Sheet

Customer Name		Temwell's Part No.	TFR4671F-612M
Approval No. /dated	20205020DC	Acceptable Specify Fo. Range	600~650MHz
Work Instruction No.	20205020DC	Date	2002.05.16

(1)Pin Position	(2)Size Diagram
 <p>(F) Type GND INPUT OUTPUT GND</p> <p>(Bottom View)</p>	

### (3)Electric Character

Item	Specify	Performance	
Center Freq.(Fo ) +/- 0.5 %	612 MHz	612 MHz	
Insertion Loss	Typ. 5.0 dB	3.9 dB	
-3 dB Bandwidth	Typ. 19 MHz	25 MHz	
Sensitivity (Attenuation )	Fo - 70 MHz	Typ. 52 dBc	55 dBc
	Fo + 70 MHz	Typ. 49 dBc	52 dBc
	Fo - ( )MHz	Typ. dBc	dBc
	Fo +( )MHz	Typ. dBc	dBc
Return Loss	Min. 12 dB	16 dB	
Ripple	< 1 dB	dB	
Impedance	In / Out : 50 Ω	In / Out : 50 Ω	

(4)Torque for Tuning Screw > 60gf • cm

### (5)Temperature Condition:

Operating Temperature	-30°C ~ +70°C
Storage Temperature	-30°C ~ +80°C

(6)Input Power > 1Watt

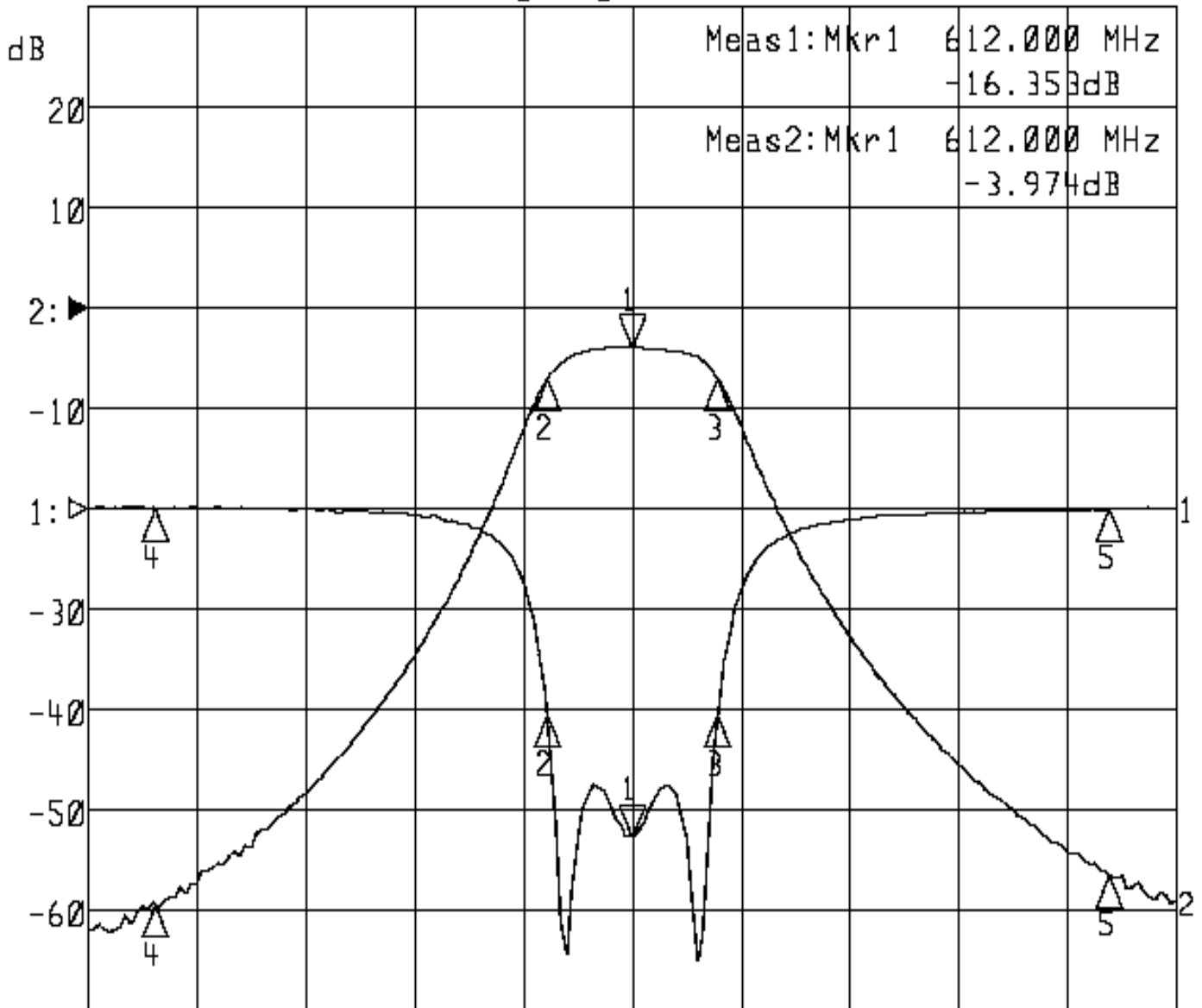
Approval	Supervisor	Designer	Aperture size
C.Y.Chang	C.S.Chang	C.S.Chang	5R4S(3.8*3.7)

TEMWELL CORPORATION

# Performance-TFR4671F-612M

20205020DC

▶1:S11 Refl Port1 Log Mag 5.0 dB/ Ref 0.00 dB C  
 ▶2:S21 Fwd Trans Log Mag 10.0 dB/ Ref 0.00 dB C



Center 612.000 MHz

Span 160.000 MHz

1:Mkr (MHz)	dB	2:Mkr (MHz)	dB
1> 612.0000	-16.353	1> 612.0000	-3.974
2: 599.5200	-10.203	2: 599.5200	-7.107
3: 624.5867	-10.307	3: 624.5867	-6.932
4: 542.0000	0.017	4: 542.0000	-59.522
5: 682.0000	-0.017	5: 682.0000	-56.419