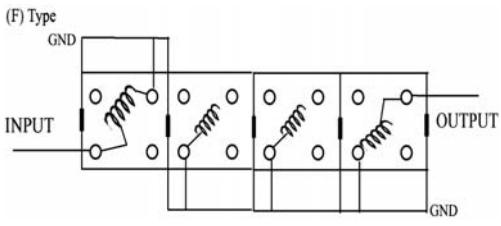
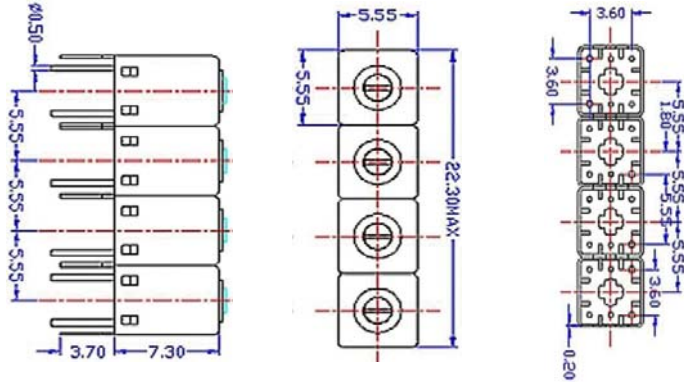


VHF UHF Helical Filter Specification Sheet

Customer Name		Temwell's Part No.	TFR4661F-580M
Approval No. /dated	20205019DC	Acceptable Specify Fo. Range	550~600MHz
Work Instruction No.	20205019DC	Date	2002.05.16

(1)Pin Position	(2)Size Diagram
 <p>(Bottom View)</p>	

(3)Electric Character

Item	Specify	Performance
Center Freq.(Fo) +/- 0.5 %	580 MHz	580 MHz
Insertion Loss	Typ. 4.5 dB	3.8 dB
-3 dB Bandwidth	Typ. 17 MHz	23 MHz
Sensitivity (Attenuation)	Fo - 50 MHz	Typ. 46 dBc
	Fo + 50 MHz	Typ. 40 dBc
	Fo - ()MHz	Typ. dBc
	Fo +()MHz	Typ. dBc
Return Loss	Min. 12 dB	18 dB
Ripple	< 1 dB	dB
Impedance	In / Out : 50 Ω	In / Out : 50 Ω
(4)Torque for Tuning Screw	> 60gf • cm	

(5)Temperature Condition:

Operating Temperature	-30°C ~ +70°C
Storage Temperature	-30°C ~ +80°C

(6)Input Power

	> 1Watt
--	---------

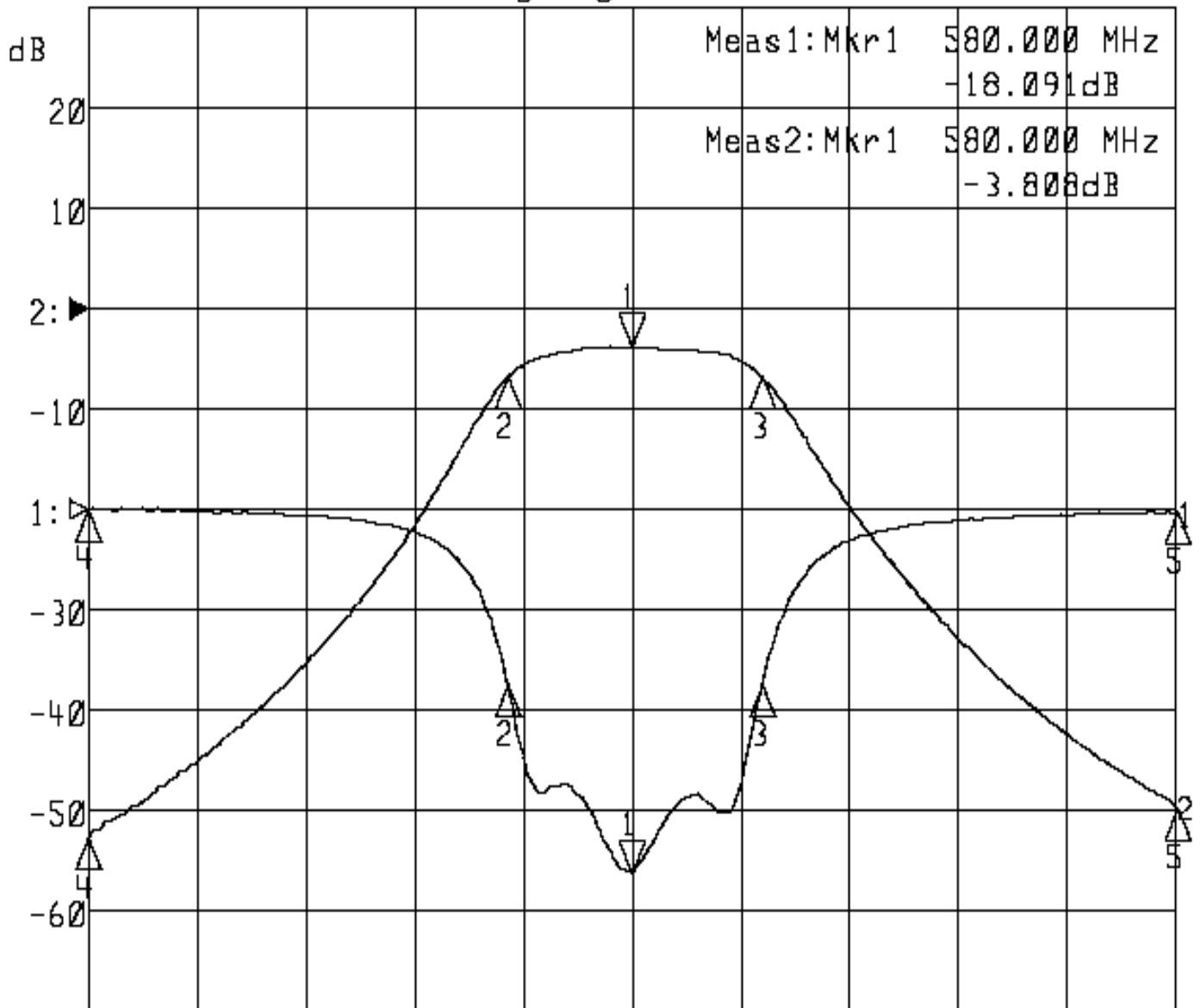
Approval	Supervisor	Designer	Aperture size
C.Y.Chang	C.S.Chang	C.S.Chang	5R4S(3.8*3.7)

TEMWELL CORPORATION

Performance-TFR4661F-580M

20205019DC

▶1: S11 Refl Port1 Log Mag 5.0 dB/ Ref 0.00 dB C
 ▶2: S21 Fwd Trans Log Mag 10.0 dB/ Ref 0.00 dB C



Meas1: Mkr1 580.000 MHz
 -18.091 dB
 Meas2: Mkr1 580.000 MHz
 -3.808 dB

Center 580.000 MHz

Span 100.000 MHz

1: Mkr (MHz)	dB	2: Mkr (MHz)	dB
1> 580.0000	-18.091	1> 580.0000	-3.808
2: 568.6333	-8.805	2: 568.6333	-6.754
3: 591.9667	-8.727	3: 591.9667	-6.856
4: 530.0000	-0.036	4: 530.0000	-52.751
5: 630.0000	-0.174	5: 630.0000	-49.654