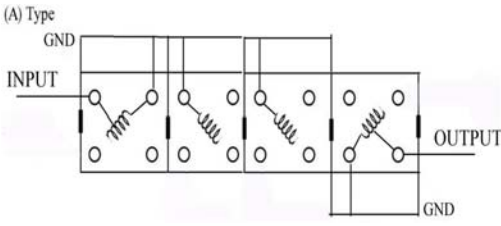
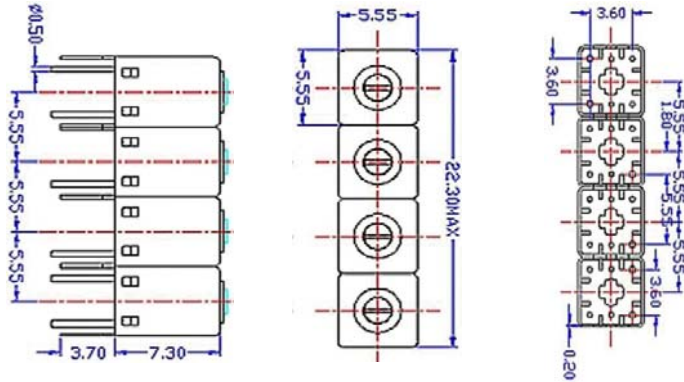


VHF UHF Helical Filter Specification Sheet

Customer Name		Temwell's Part No.	TFR4625A-325M
Approval No. /dated	20205014DC	Acceptable Specify Fo. Range	300~350MHz
Work Instruction No.	20205014DC	Date	2002.05.15

<p>(1) Pin Position</p>  <p>(A) Type GND INPUT OUTPUT GND</p> <p style="text-align: center;">(Bottom View)</p>	<p>(2) Size Diagram</p> 
---	--

(3) Electric Character

Item	Specify	Performance	
Center Freq.(Fo) +/- 0.5 %	325 MHz	325 MHz	
Insertion Loss	Typ. 7.0 dB	6.2 dB	
-3 dB Bandwidth	Typ. 9.0 MHz	12 MHz	
Sensitivity (Attenuation)	Fo - 30 MHz	Typ. 53 dBc	56 dBc
	Fo + 30 MHz	Typ. 46 dBc	48 dBc
	Fo - ()MHz	Typ. dBc	dBc
	Fo +()MHz	Typ. dBc	dBc
Return Loss	Min. 12 dB	16 dB	
Ripple	< 1 dB	dB	
Impedance	In / Out : 50 Ω	In / Out : 50 Ω	

(4) Torque for Tuning Screw > 60gf • cm

(5) Temperature Condition:

Operating Temperature	-30°C ~ +70°C
Storage Temperature	-30°C ~ +80°C

(6) Input Power > 1Watt

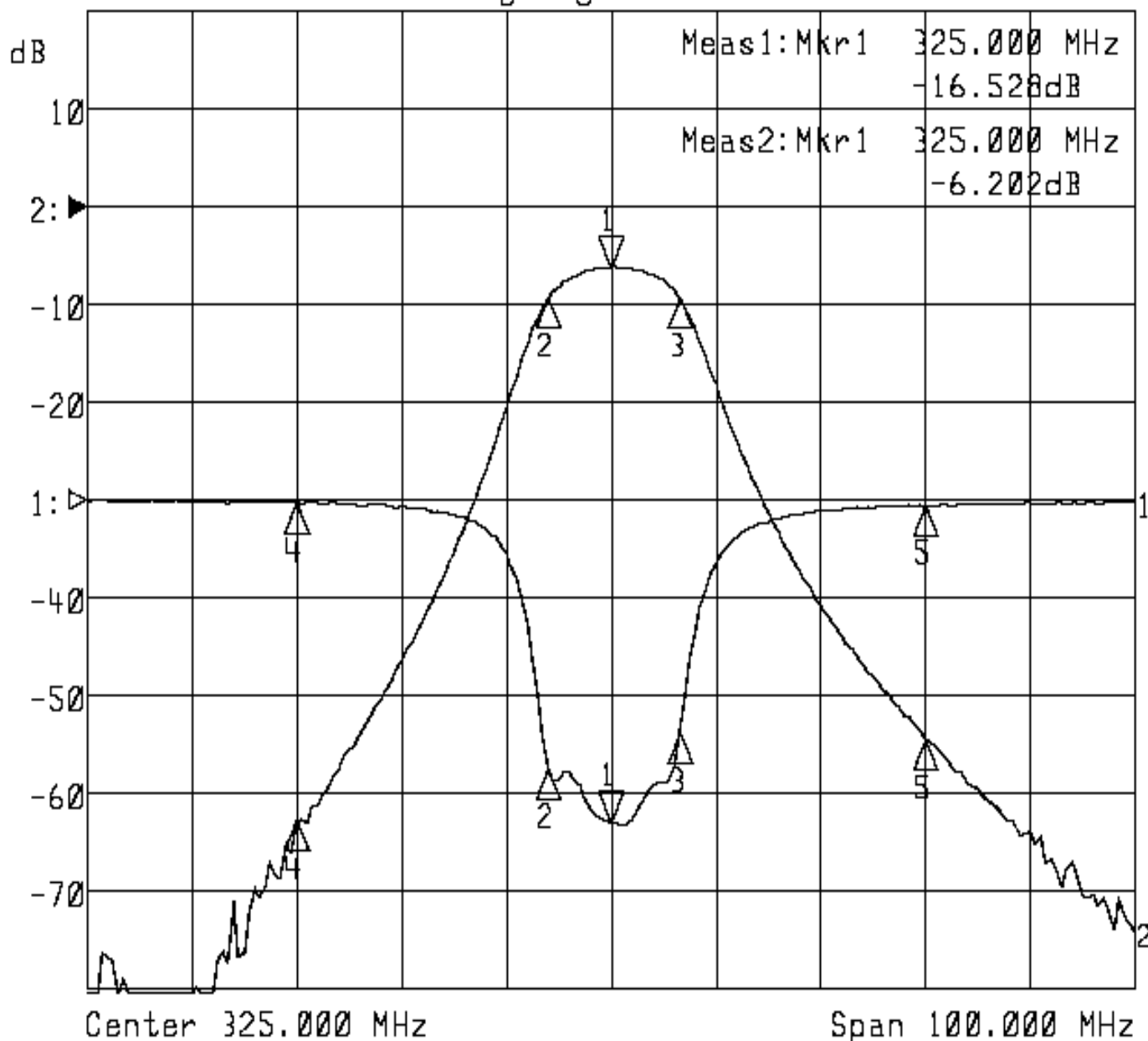
Approval	Supervisor	Designer	Aperture size
C.Y.Chang	C.S.Chang	C.S.Chang	5R4S(3.8*3.7)

TEMWELL CORPORATION

Performance-TFR4625A-325M

20205014DC

▶1:S11 Refl Port1 Log Mag 5.0 dB/ Ref 0.00 dB C
 ▶2:S21 Fwd Trans Log Mag 10.0 dB/ Ref 0.00 dB C



1:Mkr (MHz)	dB	2:Mkr (MHz)	dB
1> 325.0000	-16.528	1> 325.0000	-6.202
2: 319.1000	-13.807	2: 319.1000	-9.225
3: 331.5333	-11.931	3: 331.5333	-9.293
4: 295.0000	-0.112	4: 295.0000	-62.838
5: 355.0000	-0.285	5: 355.0000	-54.457