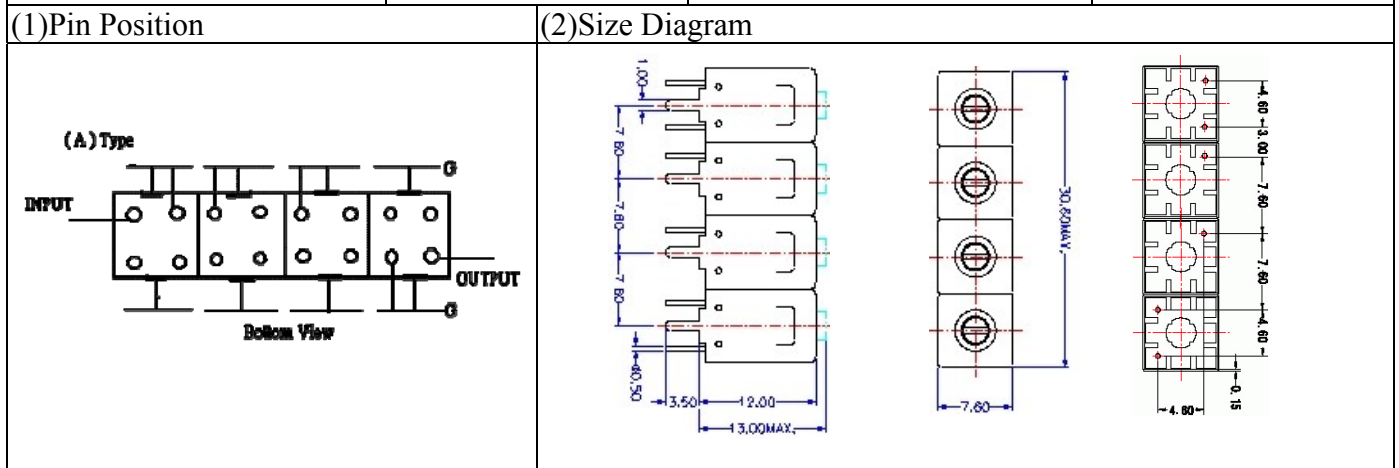


VHF UHF Helical Filter Specification Sheet

Customer Name		Temwell's Part No.	TFL69645A-1300M
Approval No. /dated	0802032APR	Temwell's Print Name	69645A 1300M
Work Instruction No.	0802032CD	Date	Mar.4.2008



(3) Electric Characteristic

Item	Specify	Performance	
Center Freq.(Fo) +/- 0.5 %	1300 MHz	1300 MHz	
Insertion Loss	Typ. 3.0 dB	1.72 dB	
-3 dB Bandwidth	Typ. 74 MHz	81.7 MHz	
Sensitivity (Attenuation)	Fo - 100 MHz	Typ. 36 dBc	39 dBc
	Fo + 100 MHz	Typ. 26 dBc	29 dBc
	Fo - ()MHz	Typ. dBc	dBc
	Fo +()MHz	Typ. dBc	dBc
Return Loss	Min. 12 dB	22.5 dB	
Ripple	< 1 dB	dB	
Impedance	In / Out : 75 Ω	In / Out : 75 Ω	
(4) Torque for Tuning Screw	> 100gf • cm		

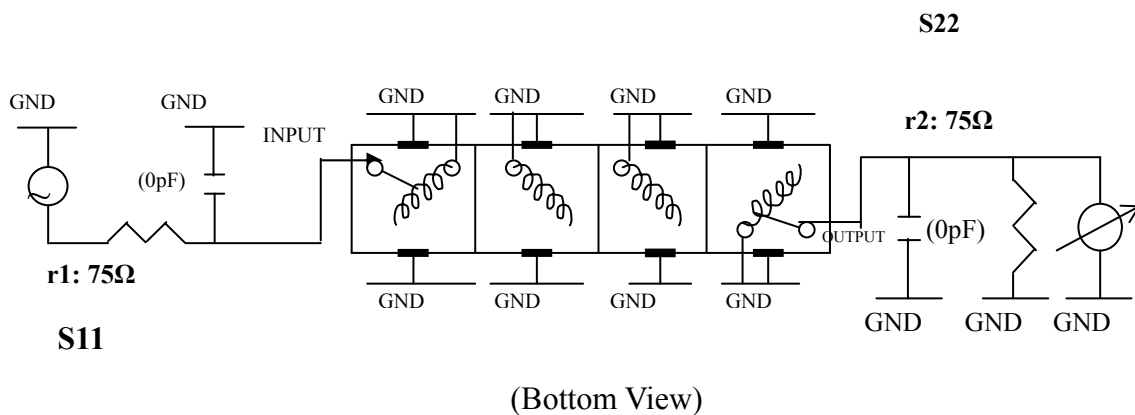
(5) Temperature Condition:

Operating Temperature	0°C ~ +60°C
Storage Temperature	-20°C ~ +70°C

(6) Input Power

> 1 Watt

(7) Measuring Circuit: ※Easy to match Impedance S11/S22 /75Ω by parallel with about(0pF) / (0pF).



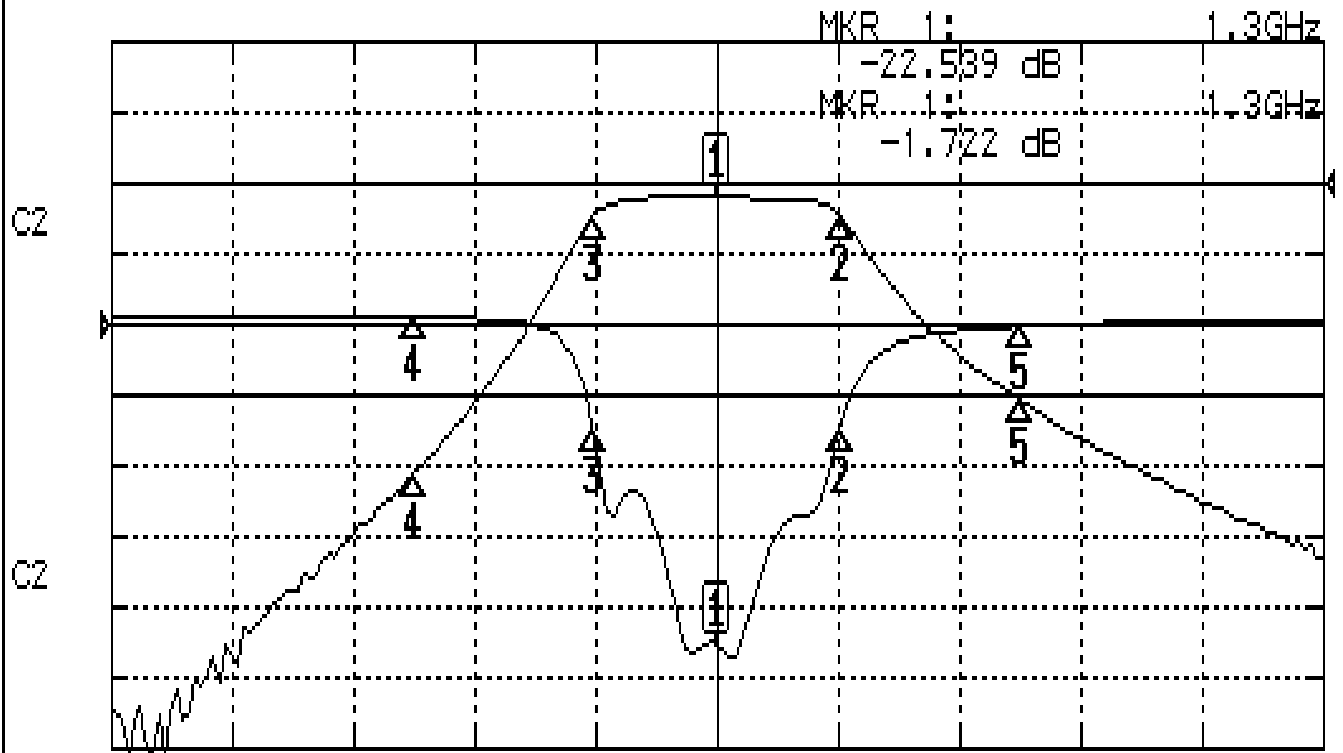
Approval	Supervisor	Designer	Aperture size
C.Y.Chang	C.S.Chang	P.H.Chiang	7H4(4*4.65F)*(5.5B) 7H046LB5.5

TEMWELL CORPORATION

Performance-TFL69645A-1300M

0802032CD

CH1 S11 LOG MAG REF 0.000 dB 5.000 dB/
CH2 S21 LOG MAG REF 0.000 dB 10.000 dB/



CENTER 1.3GHz

[10.00 dBm]

SPAN 400MHz

CH1 MARKER LIST

Marker	Freq (GHz)	Magnitude (dB)
1	1.300 000	-22.539
2	1.341 000	-7.194
3	1.259 333	-7.582
4	1.200 000	0.516
5	1.400 000	-0.099

CH2 MARKER LIST

Marker	Freq (GHz)	Magnitude (dB)
1	1.300 000	-1.722
2	1.341 000	-4.724
3	1.259 333	-4.669
4	1.200 000	-41.284
5	1.400 000	-30.834