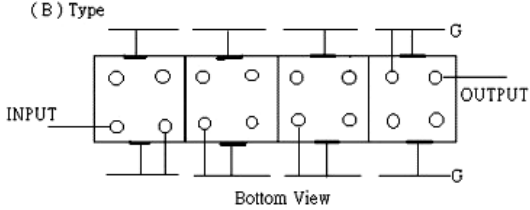
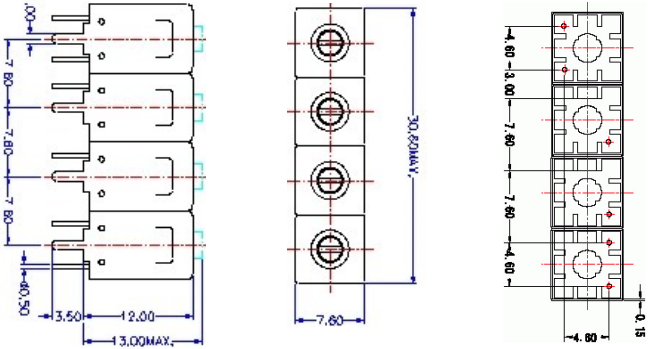


VHF UHF Helical Filter Specification Sheet

Customer Name		Temwell's Part No.	TFL69642B-1050M
Approval No. /dated	20410042DB	Acceptable Specify Fo. Range	1001~1100MHz
Work Instruction No.	20410042DB	Date	Nov.17.2004

(1)Pin Position	(2)Size Diagram
 <p>(B) Type INPUT OUTPUT Bottom View</p>	 <p>Dimensions: 1.00, 7.80, 7.80, 7.80, 7.80, 0.50, 3.50, 12.00, 13.00MAX, 7.80, 30.60MAX, 7.80, 7.80, 7.80, 4.60, 4.80, 0.15</p>

(3)Electric Character

Item	Specify	Performance	
Center Freq.(Fo) +/- 0.5 %	1050 MHz	1050 MHz	
Tunable Range	1050±5 MHz	1050±5 MHz	
Insertion Loss	Typ. 4.5 dB	3.62 dB	
-3 dB Bandwidth	Typ. 32 MHz	37 MHz	
Sensitivity (Attenuation)	Fo - 50 MHz	Typ. 41 dBc	44 dBc
	Fo + 50 MHz	Typ. 31 dBc	34 dBc
	Fo - ()MHz	Typ. dBc	dBc
	Fo +()MHz	Typ. dBc	dBc
Return Loss	Min. 12 dB	30.1 dB	
Ripple	< 1 dB	dB	
Impedance	In / Out : 75 Ω	In / Out : 75 Ω	

(4)Torque for Tuning Screw > 100gf • cm

(5)Temperature Condition:

Operating Temperature	0°C ~ +60°C
Storage Temperature	-20°C ~ +70°C

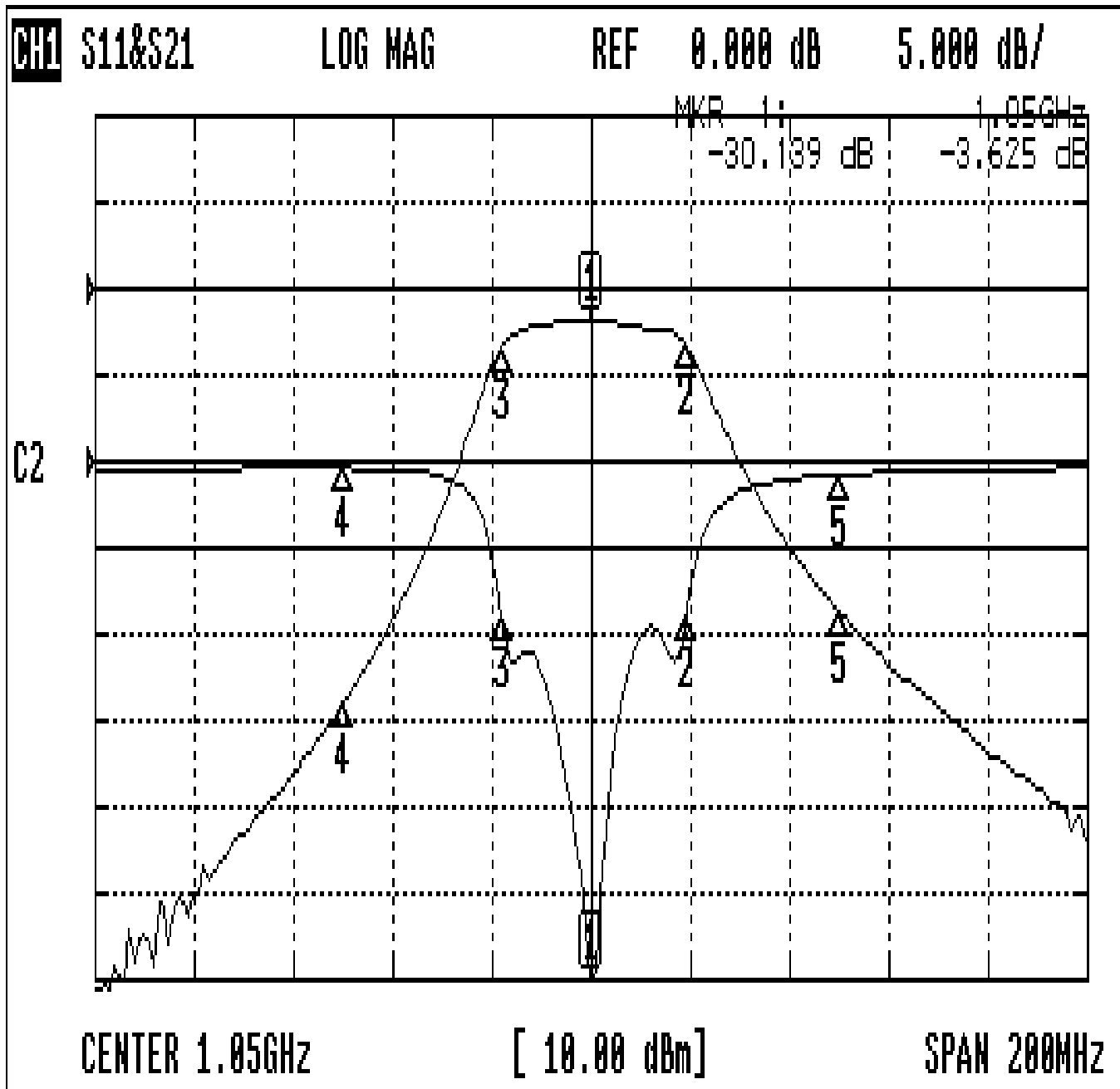
(6)Input Power > 1Watt

Approval	Supervisor	Designer	Aperture size
C.Y.Chang	C.S.Chang	C.S.Chang	7H4S(4*6.5)(6.59) 7H046RB4

TEMWELL CORPORATION

Performance- TFL69642B-1050M

20410042DB



CH1 MARKER LIST

1:	1.050 000GHz	-30.139 dB	-3.625 dB
2:	1.069 333GHz	-8.839 dB	-6.601 dB
3:	1.032 000GHz	-9.869 dB	-6.641 dB
4:	1.000 000GHz	-0.387 dB	-48.062 dB
5:	1.100 000GHz	-0.756 dB	-37.389 dB