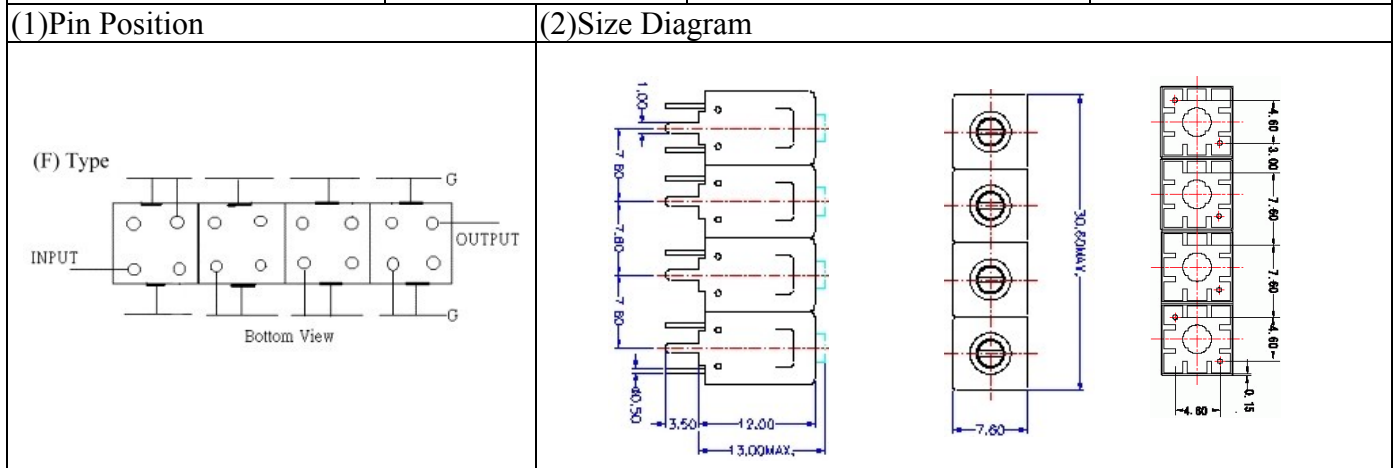


VHF UHF Helical Filter Specification Sheet

Customer Name		Temwell's Part No.	TFL69618F-700M
Approval No. /dated	0906095CD	Temwell's Print name	610-790M
Work Instruction No.	200906095CD	Date	Jul.01.2009



(3) Electric Characteristic

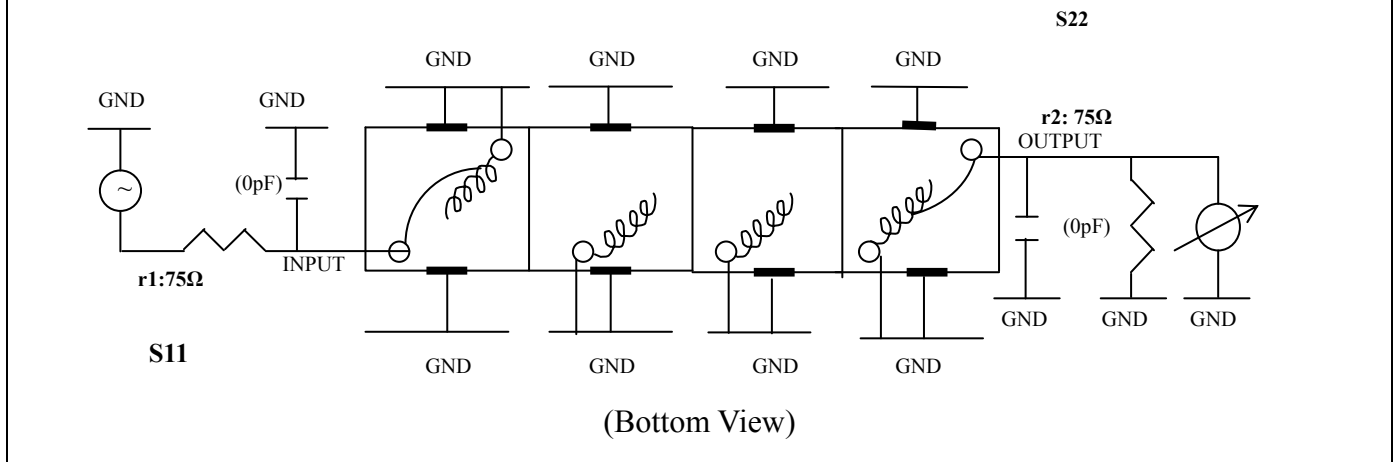
Item	Specify	Performance
Center Freq.(Fo) +/- 0.5 %	700 MHz	700 MHz
Insertion Loss	Typ. 2.0 dB	0.91 dB
-3 dB Bandwidth	Typ. 180 MHz	185.0 MHz
Sensitivity (Attenuation)	Fo - 200 MHz	Typ. 42 dBc
	Fo + 200 MHz	Typ. 22 dBc
	Fo - () MHz	Typ. dBc
	Fo + () MHz	Typ. dBc
Return Loss	Min. 12 dB	26.5 dB
Ripple	< 1 dB	dB
Impedance	In / Out : 75 Ω	In / Out : 75 Ω

(4) Torque for Tuning Screw > 60gf · cm

(5) Temperature Condition:	
Operating Temperature	0°C ~ +60°C
Storage Temperature	-20°C ~ +70°C

(6) Input Power > 1Watt

(7) Measuring Circuit: ※Easy to match Impedance S11/S22 75Ω by parallel with about(0pF) / (0pF).



Approval	Supervisor	Designer	Aperture size
C.Y.Chang	C.K.Chang	C.S.Chang	7H4(4*8.0F)(8.02) 7H046RB6.5

TEMWELL CORPORATION

Performance-TFL69618F-700M

200906095CD

Tr1 S11 Log Mag 5.000dB/ Ref 0.000dB [F2]
Tr2 S21 Log Mag 10.00dB/ Ref 0.000dB [F2]

