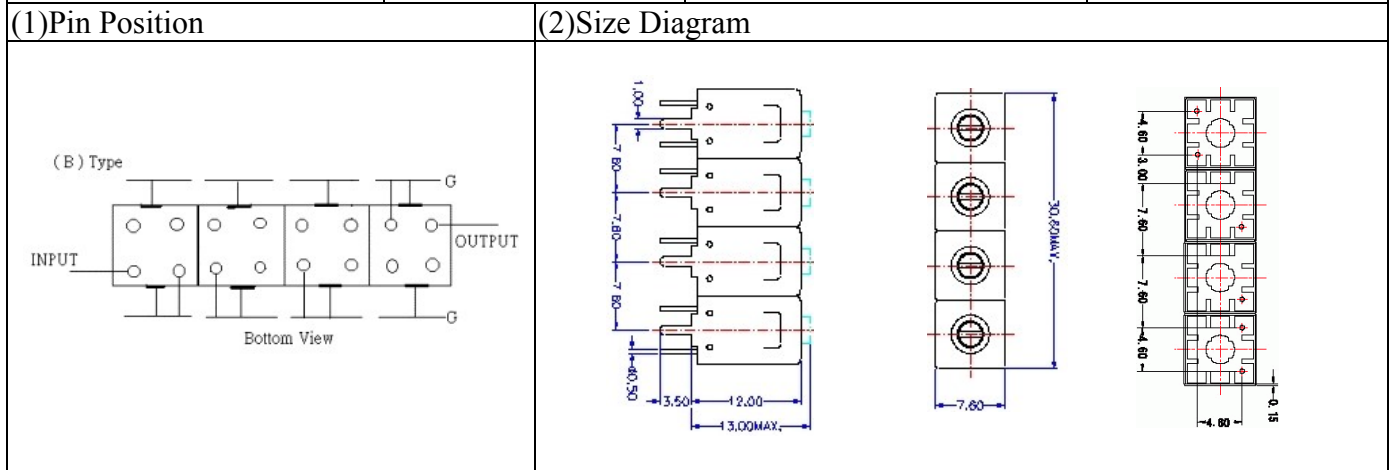


# VHF UHF Helical Filter Specification Sheet

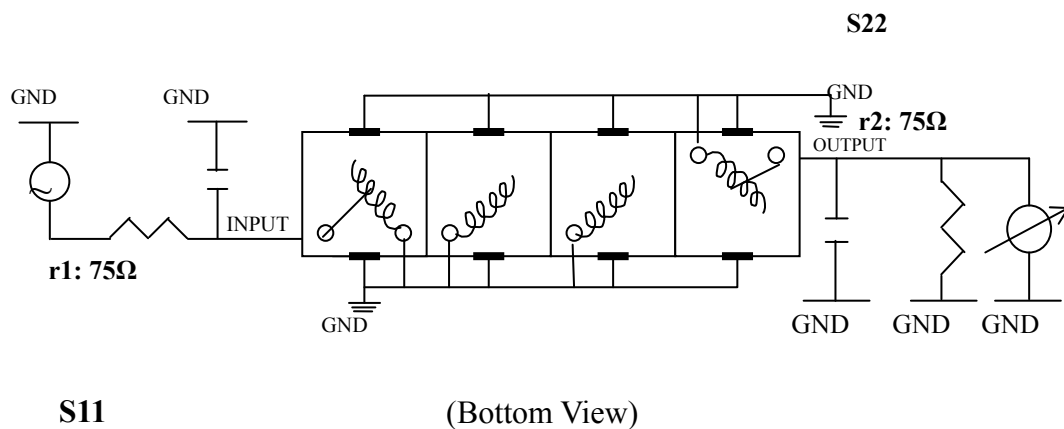
Customer Name		Temwell's Part No.	TFL64460B-1190M
Approval No. /dated	1203041APR	Temwell's Print name	64460B 1190M
Work Instruction No.	201203041BD	Date	Mar.14.2012



(3) Electric Characteristic

Item	Specify	Performance
Center Freq.(Fo) +/- 0.5 %	1190 MHz	1190 MHz
Insertion Loss	Typ. 4.5 dB	3.11 dB
-3 dB Bandwidth	Typ. 40 MHz	51.0 MHz
Sensitivity (Attenuation)	Fo - 50 MHz	Typ. 33 dB
	Fo + 50 MHz	Typ. 22 dB
	Fo - ( )MHz	Typ. dB
	Fo +( )MHz	Typ. dB
Return Loss	Min. 12 dB	18.9 dB
Ripple	< 1 dB	dB
Impedance	In / Out : 75 Ω	In / Out : 75 Ω
(4) Torque for Tuning Screw	> 60gf • cm	
(5) Temperature Condition:		
Operating Temperature	0°C ~ +60°C	
Storage Temperature	-20°C ~ +70°C	
(6) Input Power	> 1Watt	

(7) Measuring Circuit: ※Easy to match Impedance S11/S22 75Ω/ by parallel with about( -- ) / ( -- ).



Approval	Supervisor	Designer	Aperture size
C.Y.Chang	C.K.Chang	C.S.Chang	7H4S(4*7.5)(7.59) 7H046RB4.3 聚 3

TEMWELL CORPORATION

# Performznce-TFL64460B-1190M

## 201203041BD

