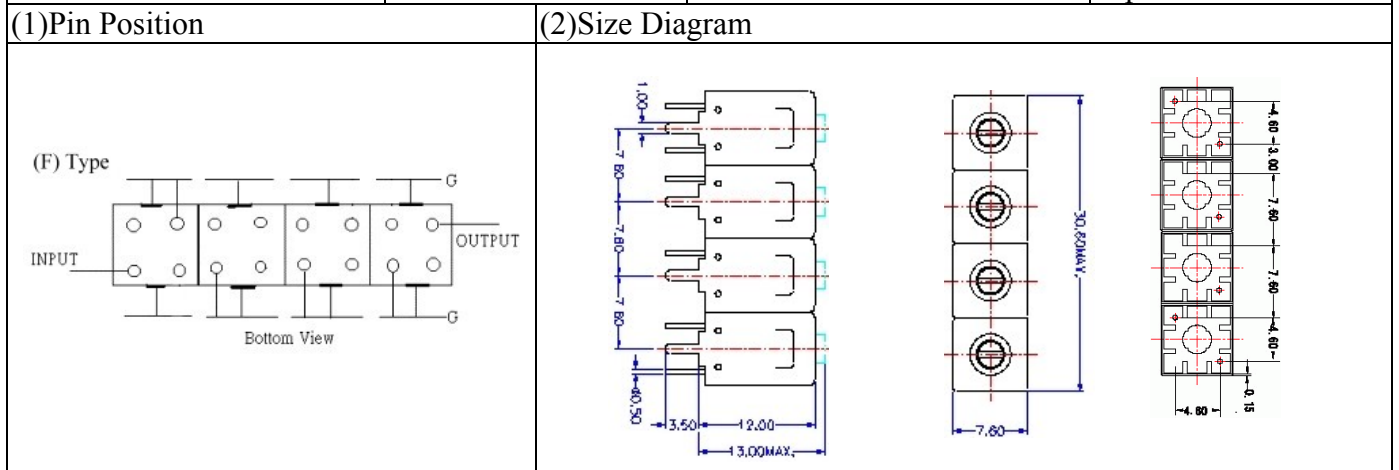
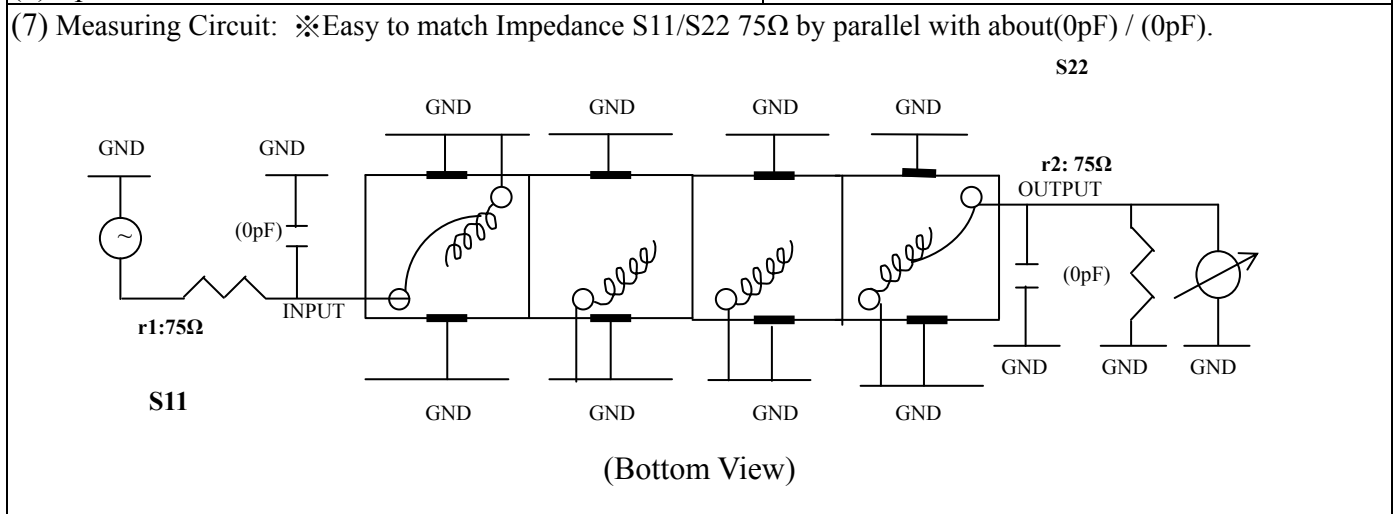


VHF UHF Helical Filter Specification Sheet

Customer Name		Temwell's Part No.	TFL6445F-635.14M
Approval No. /dated	200809088APR	Temwell's Print name	6445F 635.14M
Work Instruction No.	200809088CD	Date	Sep.21.2008



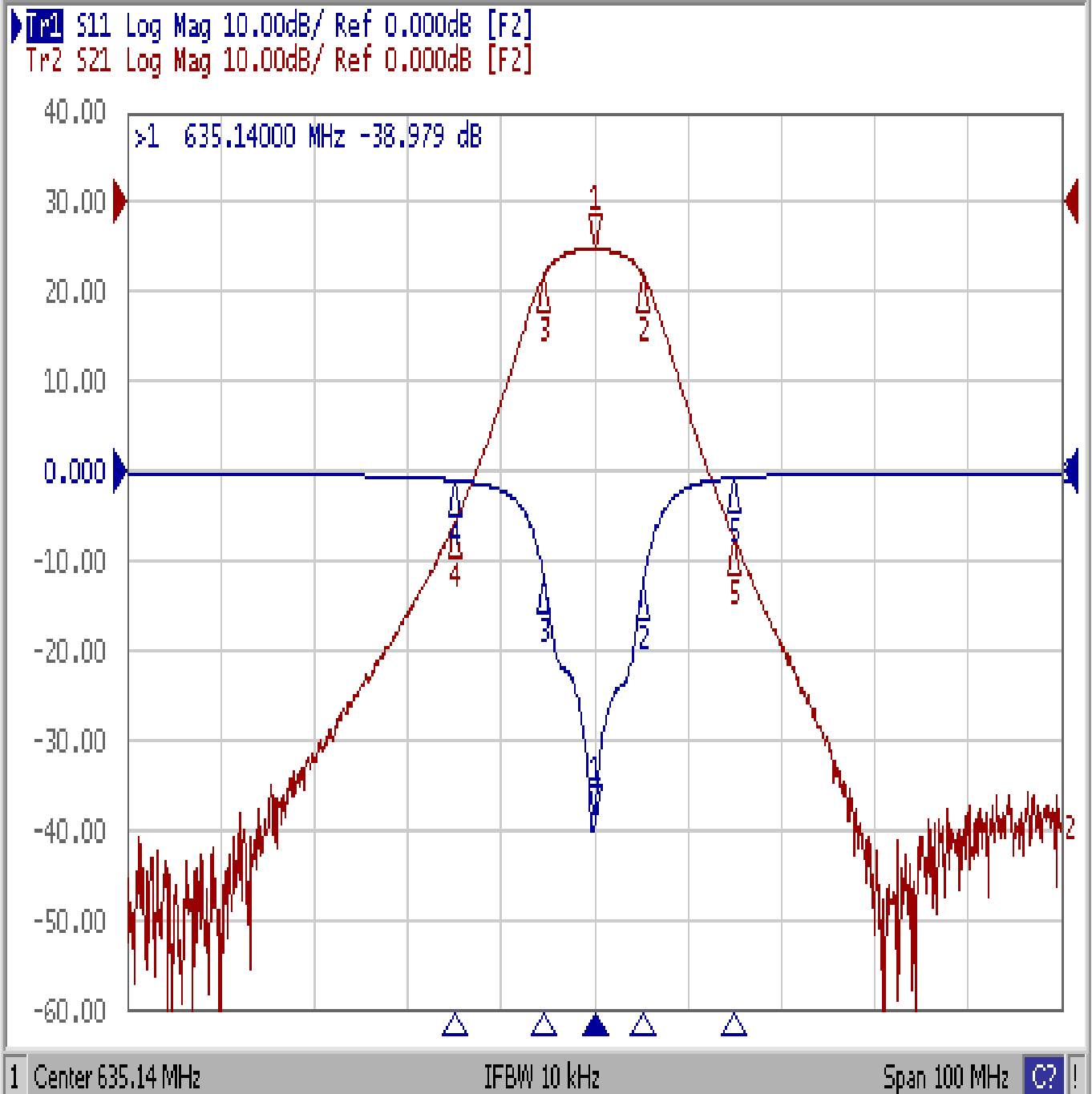
(3) Electric Characteristic		Item	Specify	Performance
		Center Freq.(Fo) +/- 0.5 %	635.14 MHz	635.14 MHz
		Insertion Loss	Typ. 6.0 dB	5.24 dB
		-3 dB Bandwidth	Typ. 8 MHz	10.6 MHz
Sensitivity (Attenuation)	Fo - 15 MHz	Typ. 27 dBc		30 dBc
	Fo + 15 MHz	Typ. 29 dBc		32 dBc
	Fo - () MHz	Typ. dBc		dBc
	Fo + () MHz	Typ. dBc		dBc
		Return Loss	Min. 12 dB	38.9 dB
		Ripple	< 1 dB	dB
		Impedance	In / Out : 75 Ω	In / Out : 75 Ω
(4) Torque for Tuning Screw			> 100gf · cm	
(5) Temperature Condition:				
Operating Temperature			0°C ~ +60°C	
Storage Temperature			-20°C ~ +70°C	
(6) Input Power			> 1Watt	



Approval	Supervisor	Designer	Aperture size
C.Y.Chang	C.S.Chang	C.S.Chang	7H4(4*4.5F) 7H046RB4

Performance-TFL6445F-635.14M

200809088CD



Ch1	Tr1	S11	>1	635.14000	MHz	-38.979	dB
Ch1	Tr1	S11	2	640.35700	MHz	-12.567	dB
Ch1	Tr1	S11	3	629.72575	MHz	-12.006	dB
Ch1	Tr1	S11	4	620.14000	MHz	-1.0258	dB
Ch1	Tr1	S11	5	650.14000	MHz	-0.7596	dB
Ch1	Tr2	S21	1	635.14000	MHz	-5.2491	dB
Ch1	Tr2	S21	2	640.35700	MHz	-8.2163	dB
Ch1	Tr2	S21	3	629.72575	MHz	-8.1572	dB
Ch1	Tr2	S21	4	620.14000	MHz	-35.845	dB
Ch1	Tr2	S21	5	650.14000	MHz	-37.640	dB