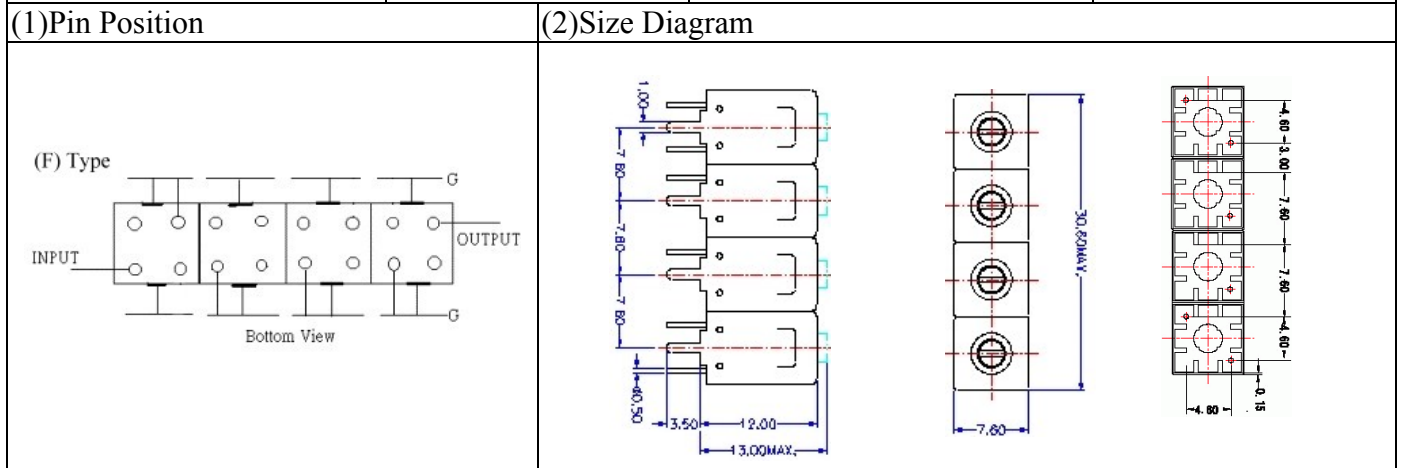


VHF UHF Helical Filter Specification Sheet

Customer Name		Temwell's Part No.	TFL6439F-597.25M
Approval No. /dated	0612031APR	Acceptable Specify Fo Range	597.25 MHZ
Work Instruction No.	0612031DB	Date	Dec.20.2006



(3) Electric Character

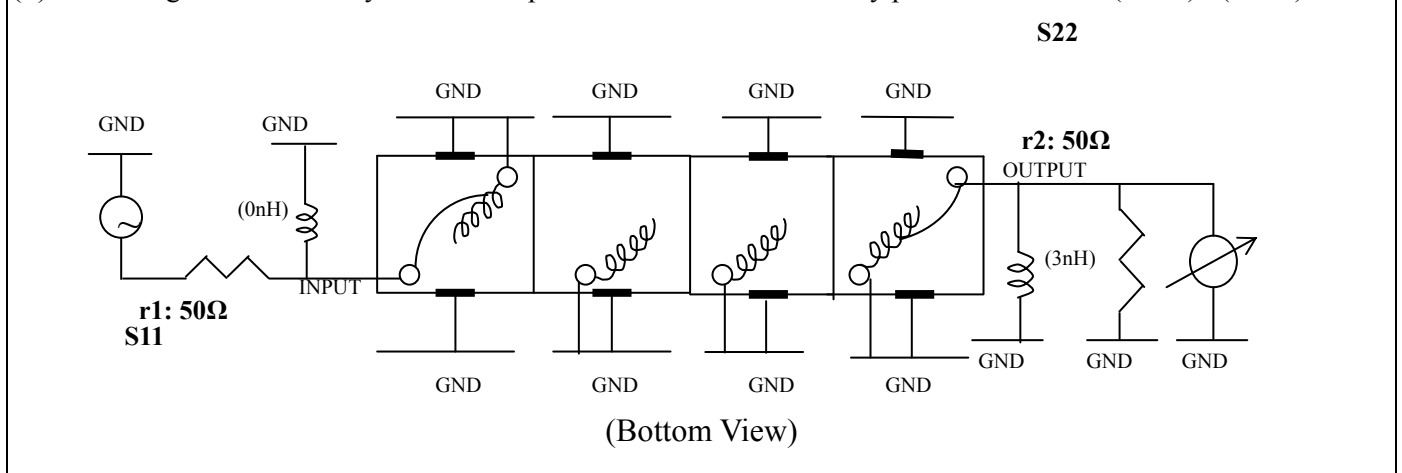
Item	Specify	Performance
Center Freq.(Fo) +/- 0.75 %	597.25 MHz	597.25 MHz
Insertion Loss	Typ. 6.0 dB	5.21 dB
-3 dB Bandwidth	Typ. 8 MHz	11.0 MHz
Sensitivity (Attenuation)	Fo - 15 MHz	Typ. 34 dBc
	Fo + 15 MHz	Typ. 26 dBc
	Fo - ()MHz	Typ. dBc
	Fo +()MHz	Typ. dBc
Return Loss	Min. 12 dB	27.3 dB
Ripple	< 1 dB	dB
Impedance	In / Out : 50 Ω	In / Out : 50 Ω
(4) Torque for Tuning Screw	> 100gf · cm	

(5) Temperature Condition:

Operating Temperature	-30°C ~ +70°C
Storage Temperature	-30°C ~ +80°C

(6) Input Power

(7) Measuring Circuit: ※Easy to match Impedance S11/S22 50Ω/75Ω by parallel with about(0 nH) / (3 nH).



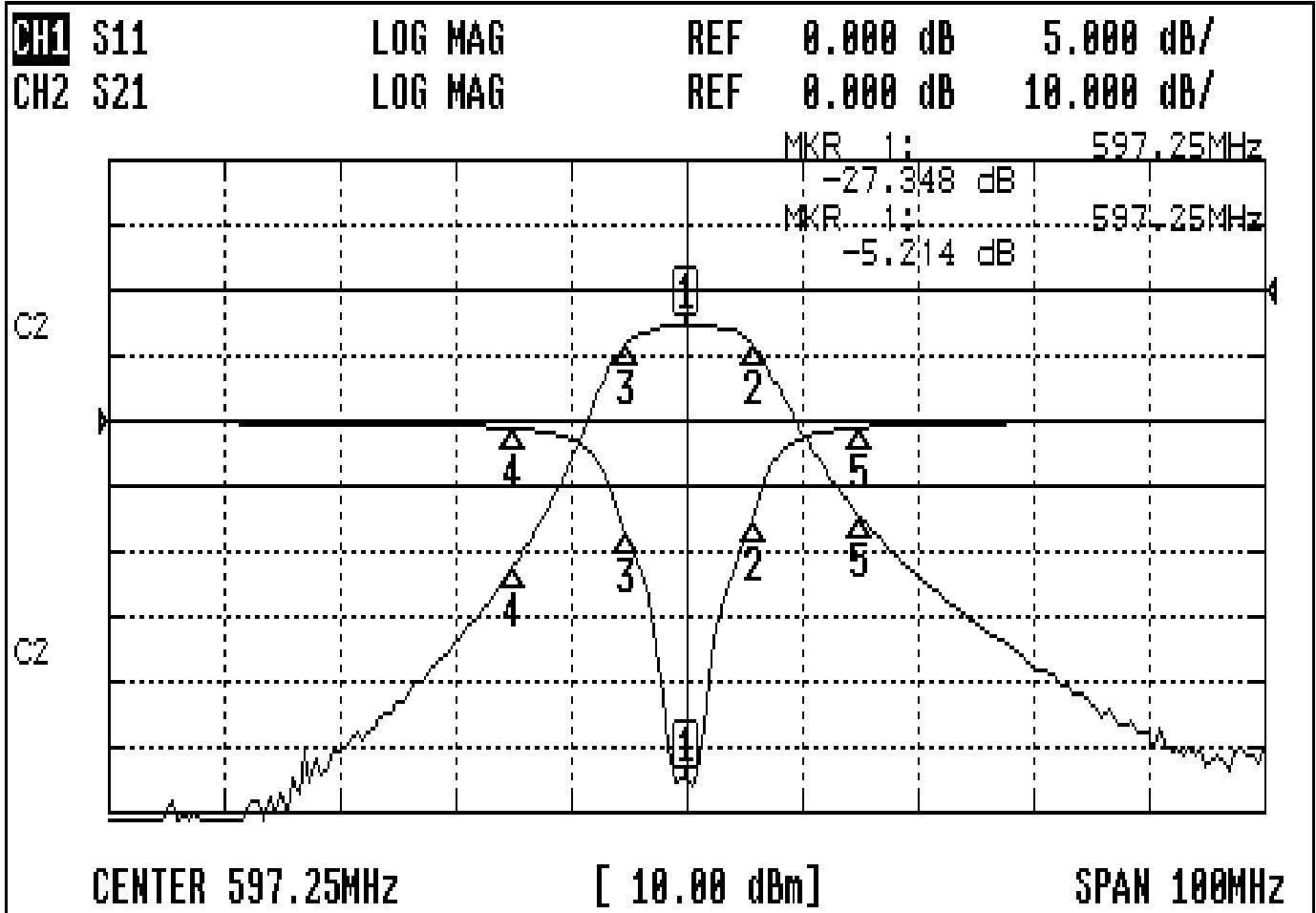
Approval	Supervisor	Designer	Aperture size
C.Y.Chang	C.S.Chang	P.H.Chiang	7H4(4*4.5) 7H046LB4 聚 3

TEMWELL CORPORATION

TEMWELL RP(P.H)

Performance-TFL6439F-597.25M

0612031DB



CH1 MARKER LIST

Marker	Frequency (MHz)	Magnitude (dB)
1	597.2500	-27.328
2	603.0000	-7.384
3	592.0000	-8.578
4	582.2500	-0.574
5	612.2500	-0.487

CH2 MARKER LIST

Marker	Frequency (MHz)	Magnitude (dB)
1	597.2500	-5.214
2	603.0000	-8.350
3	592.0000	-8.244
4	582.2500	-42.313
5	612.2500	-34.477