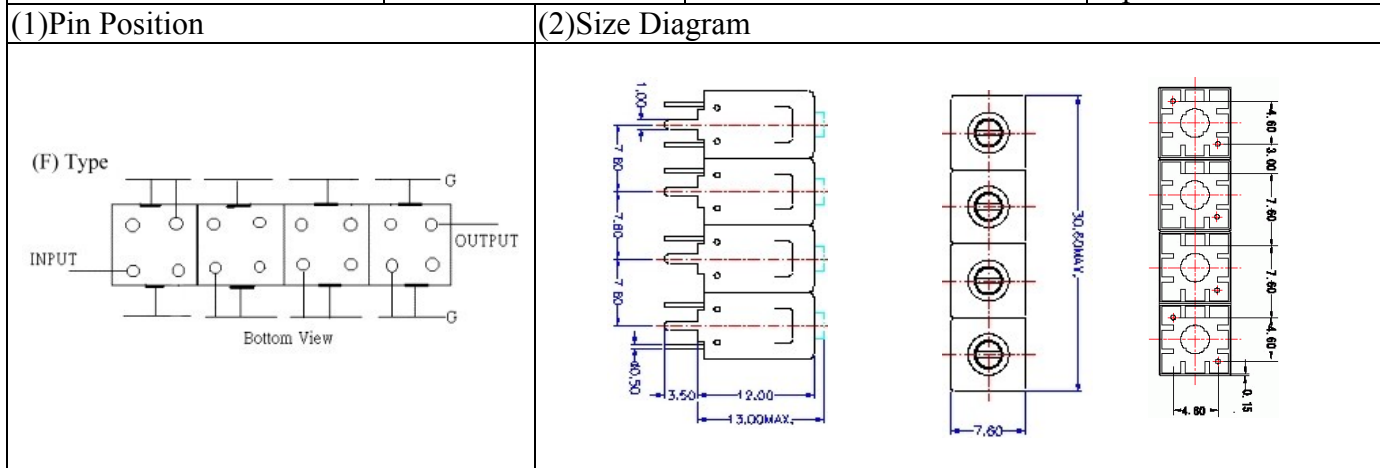


VHF UHF Helical Filter Specification Sheet

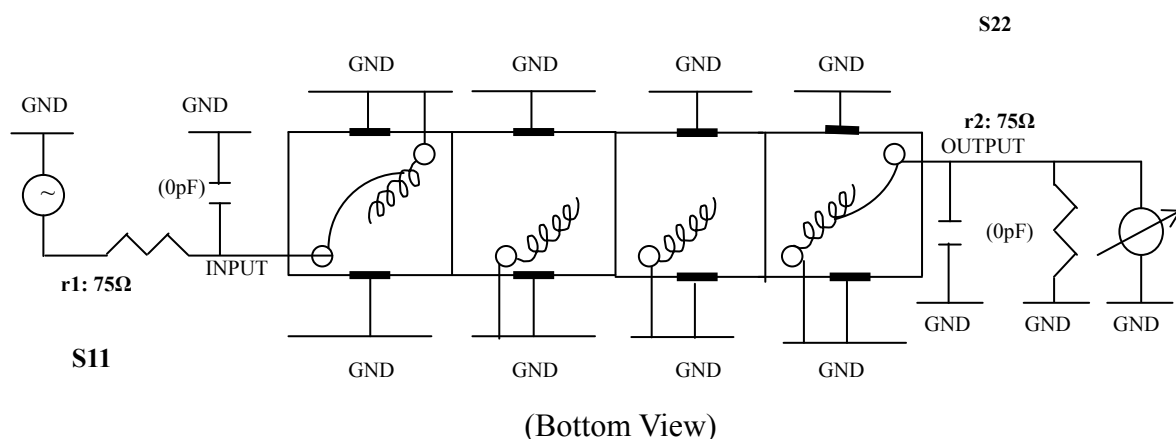
Customer Name		Temwell's Part No.	TFL6436F-579.25M
Approval No. /dated	0909053CD	Customer's Print Name.	6436F 579.25M
Work Instruction No.	200909053CD	Date	Sep.22.2009



(3) Electric Characteristic

Item	Specify	Performance	
Center Freq.(Fo) +/- 0.5 %	579.25 MHz	579.25 MHz	
Insertion Loss	Typ. 5.5 dB	4.59 dB	
-3 dB Bandwidth	Typ. 8 MHz	11.2 MHz	
Sensitivity (Attenuation)	Fo - (9) MHz	Typ. 17 dB	20 dB
	Fo + (9) MHz	Typ. 15 dB	16 dB
	Fo - () MHz	Typ. dB	dB
	Fo + () MHz	Typ. dB	dB
Return Loss	Min. 12 dB	22.3 dB	
Ripple	< 1 dB	dB	
Impedance	In / Out : 75 Ω	In / Out : 75 Ω	
(4) Torque for Tuning Screw	> 100gf • cm		
(5) Temperature Condition:			
Operating Temperature	0°C ~ +60°C		
Storage Temperature	-20°C ~ +70°C		
(6) Input Power	> 1Watt		

(7) Measuring Circuit: ※ Easy to match Impedance S11/S22 75Ω by parallel with about(0pF) / (0pF).



Approval	Supervisor	Designer	Aperture size
C.Y.Chang	C.K.Chang	C.S.Chang	7H4S(4*4.65F)(4.75) 7H046LB4.3 聚 3

TEMWELL CORPORATION

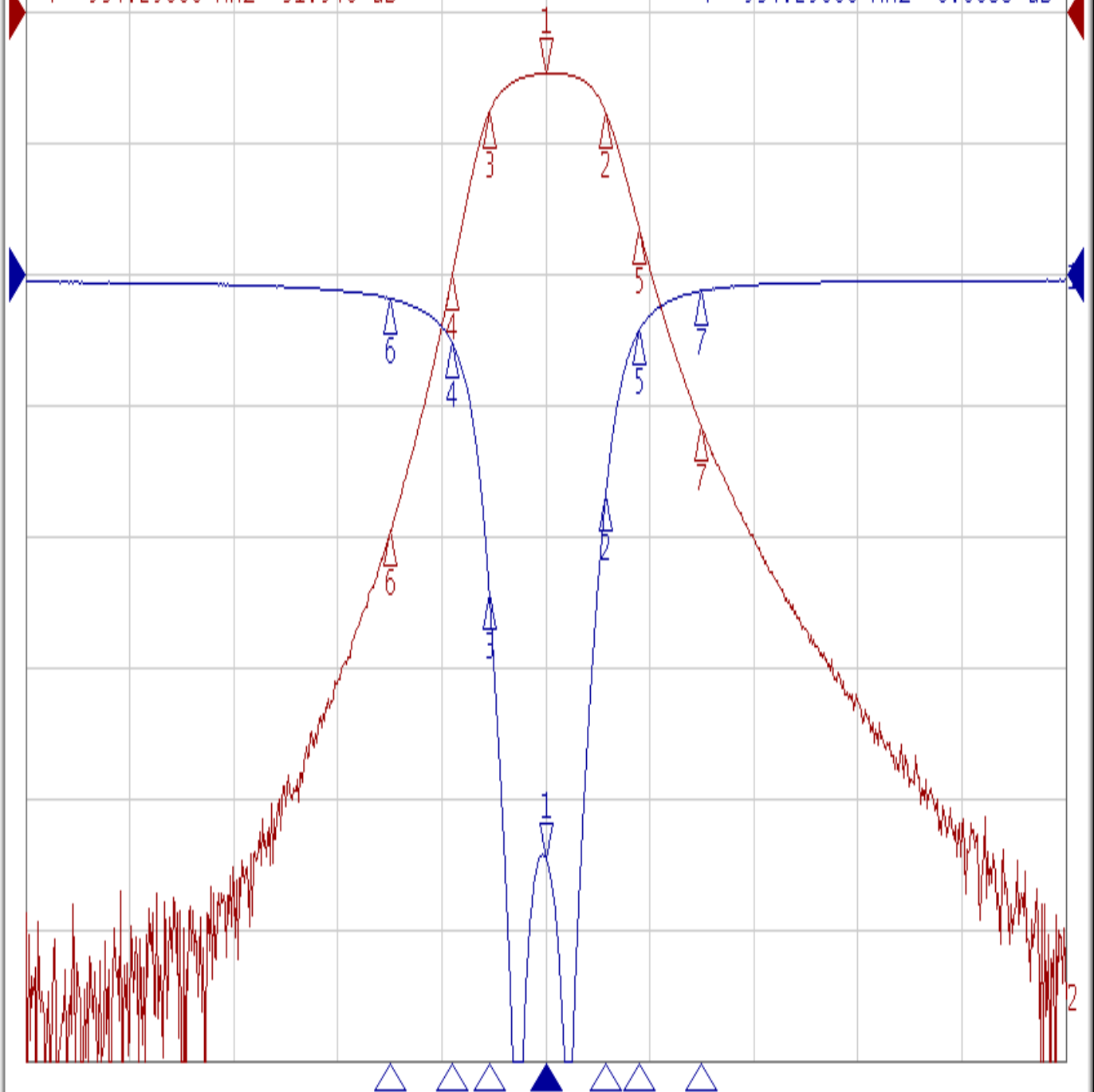
Performance-TFL6436F-579.25M

200909053CD

Tr1 S11 Log Mag 5.000dB/ Ref 0.000dB [F2]
Tr2 S21 Log Mag 10.00dB/ Ref 0.000dB [F2]

1	579.25000	MHz	-4.5998	dB
2	585.00100	MHz	-7.5559	dB
3	573.84200	MHz	-7.5780	dB
4	570.25000	MHz	-20.002	dB
5	588.25000	MHz	-16.421	dB
6	564.25000	MHz	-39.535	dB
7	594.25000	MHz	-31.540	dB

>1	579.25000	MHz	-22.304	dB
2	585.00100	MHz	-8.3835	dB
3	573.84200	MHz	-12.182	dB
4	570.25000	MHz	-2.5956	dB
5	588.25000	MHz	-2.1129	dB
6	564.25000	MHz	-0.9117	dB
7	594.25000	MHz	-0.6088	dB



1 Center 579.25 MHz

IFBW 10 kHz

Span 100 MHz Cor !