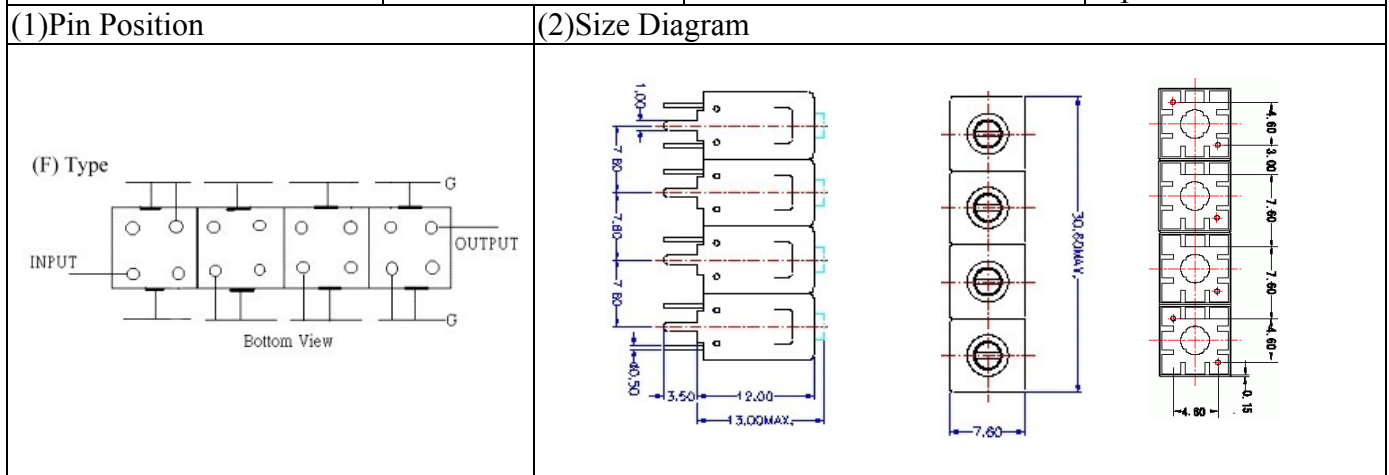
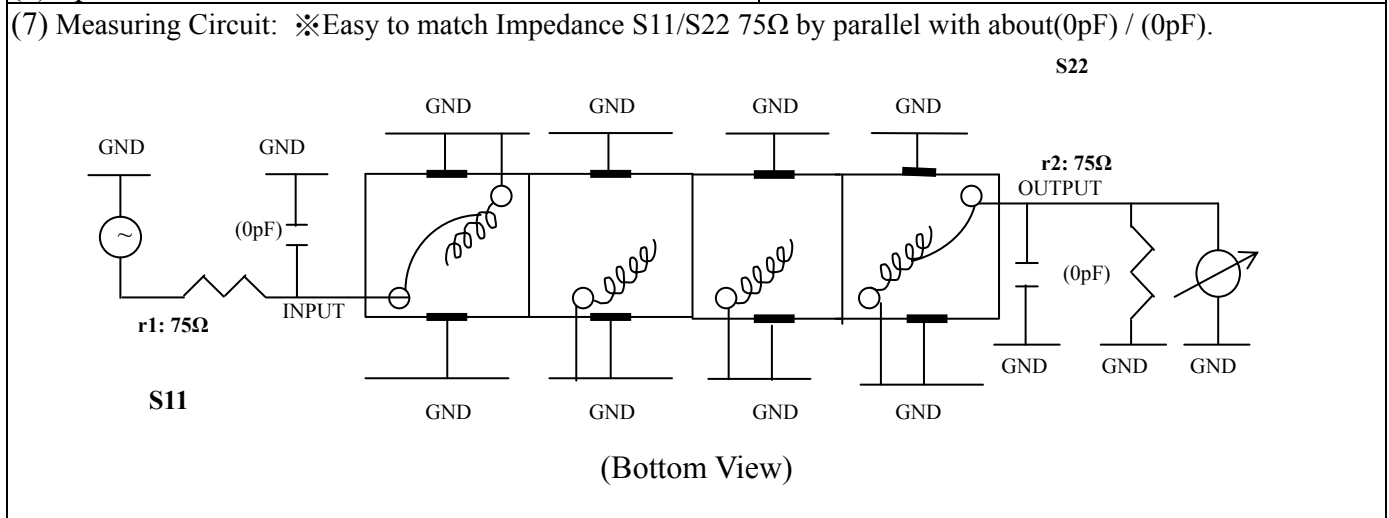


VHF UHF Helical Filter Specification Sheet

Customer Name		Temwell's Part No.	TFL6435F-573.25M
Approval No. /dated	0909051CD	Customer's Print Name.	6435F 573.25M
Work Instruction No.	200909051CD	Date	Sep.22.2009



Item		Specify		Performance	
Center Freq.(Fo) +/- 0.5 %		573.25	MHz	573.25	MHz
Insertion Loss		Typ. 5.5	dB	4.48	dB
-3 dB Bandwidth		Typ. 8	MHz	11.2	MHz
Sensitivity (Attenuation)	Fo - (9) MHz	Typ. 16	dB	19	dB
	Fo + (9) MHz	Typ. 15	dB	16	dB
	Fo - () MHz	Typ.	dB		dB
	Fo + () MHz	Typ.	dB		dB
Return Loss		Min. 12	dB	25.0	dB
Ripple		< 1	dB		dB
Impedance		In / Out : 75 Ω		In / Out : 75 Ω	
(4) Torque for Tuning Screw		> 100gf · cm			
(5) Temperature Condition:					
Operating Temperature		0°C ~ +60°C			
Storage Temperature		-20°C ~ +70°C			
(6) Input Power		> 1Watt			



Approval	Supervisor	Designer	Aperture size
C.Y.Chang	C.K.Chang	C.S.Chang	7H4S(4*4.65F)(4.76) 7H046LB4.3 聚 3

TEMWELL CORPORATION

Performance-TFL6435F-573.25M

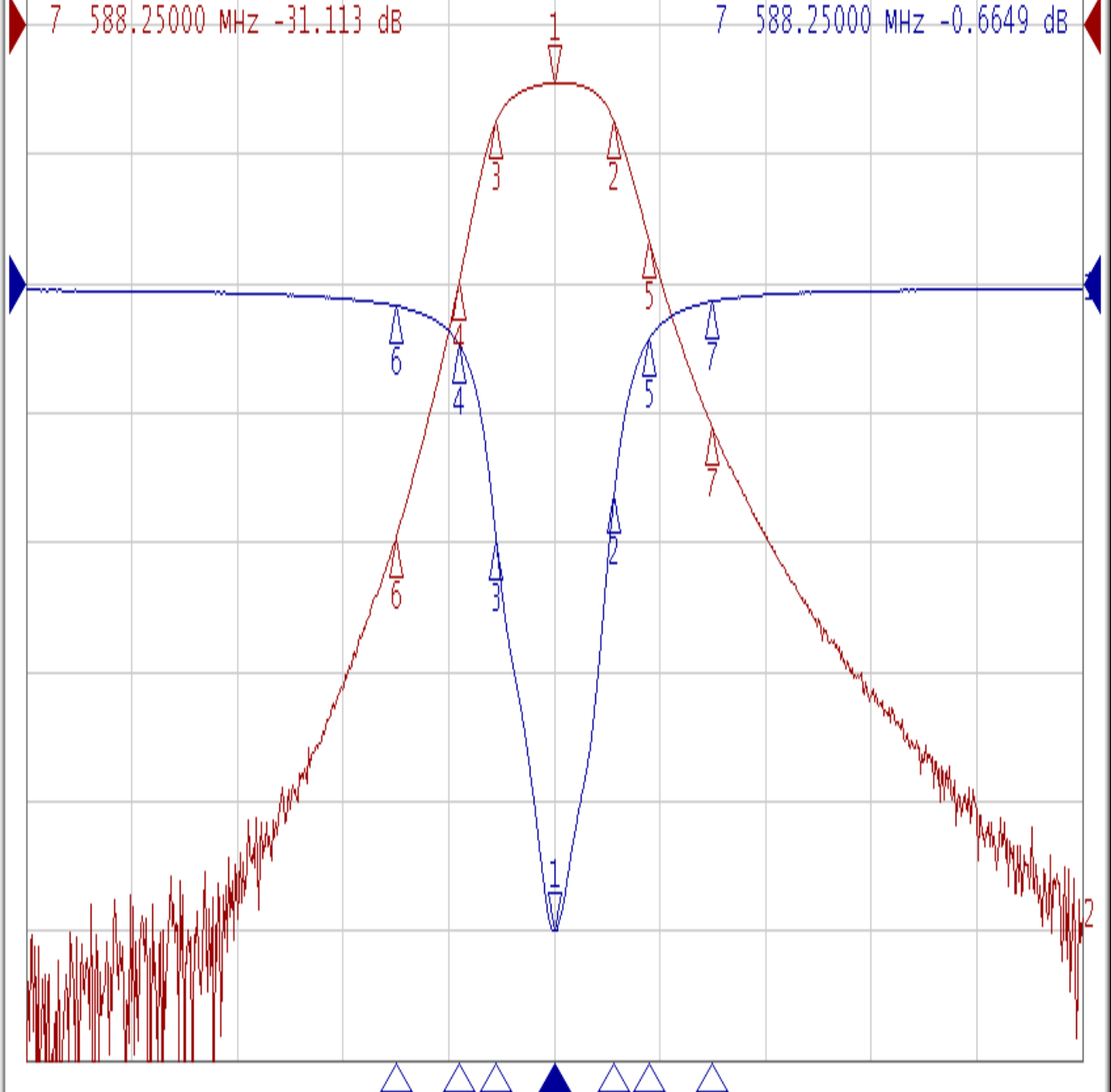
200909051CD

Tr1 S11 Log Mag 5.000dB/ Ref 0.000dB [F2]

Tr2 S21 Log Mag 10.00dB/ Ref 0.000dB [F2]

1	573.25000	MHz	-4.4855	dB
2	578.91200	MHz	-7.4711	dB
3	567.78900	MHz	-7.4423	dB
4	564.25000	MHz	-19.812	dB
5	582.25000	MHz	-16.561	dB
6	558.25000	MHz	-39.742	dB
7	588.25000	MHz	-31.113	dB

>1	573.25000	MHz	-25.013	dB
2	578.91200	MHz	-8.1232	dB
3	567.78900	MHz	-9.9413	dB
4	564.25000	MHz	-2.3363	dB
5	582.25000	MHz	-2.1157	dB
6	558.25000	MHz	-0.8537	dB
7	588.25000	MHz	-0.6649	dB



1 Center 573.25 MHz

IFBW 10 kHz

Span 100 MHz Cor !