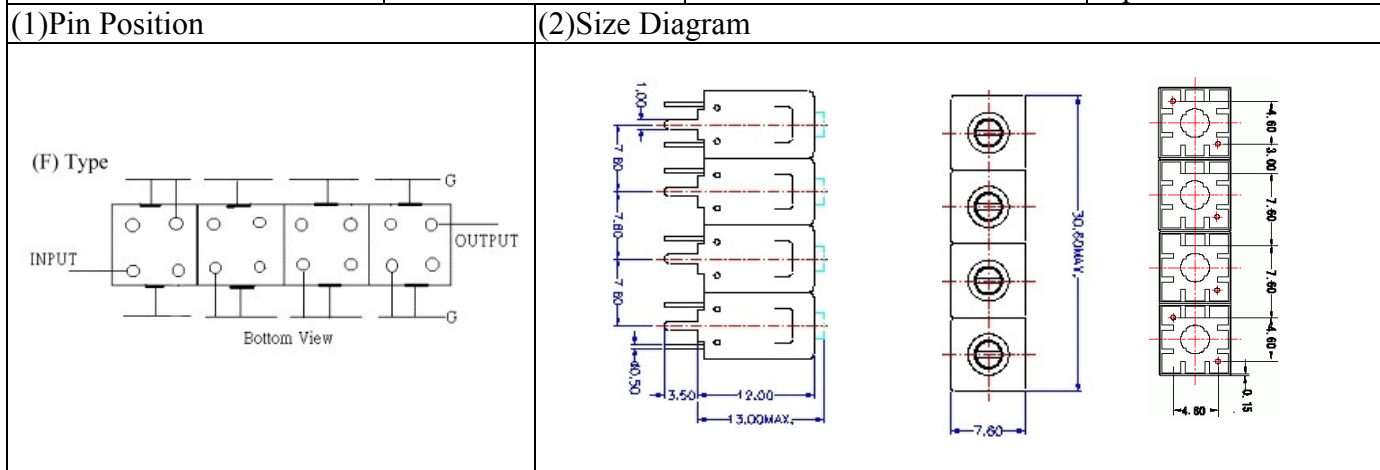


# VHF UHF Helical Filter Specification Sheet

Customer Name		Temwell's Part No.	TFL6427F-581M
Approval No. /dated	0909005CD	Customer's Print Name.	6427F 581M
Work Instruction No.	200909005CD	Date	Sep.16.2009



### (3) Electric Characteristic

Item	Specify	Performance	
Center Freq.(Fo ) +/- 0.5 %	581 MHz	581 MHz	
Insertion Loss	Typ. 5.5 dB	4.66 dB	
-3 dB Bandwidth	Typ. 8 MHz	10.7 MHz	
Sensitivity (Attenuation )	Fo - ( 9 ) MHz	Typ. 17 dB	20 dB
	Fo + ( 9 ) MHz	Typ. 15 dB	17 dB
	Fo - ( ) MHz	Typ. dB	dB
	Fo + ( ) MHz	Typ. dB	dB
Return Loss	Min. 12 dB	22.8 dB	
Ripple	< 1 dB	dB	
Impedance	In / Out : 75 Ω	In / Out : 75 Ω	
(4) Torque for Tuning Screw	> 100gf · cm		

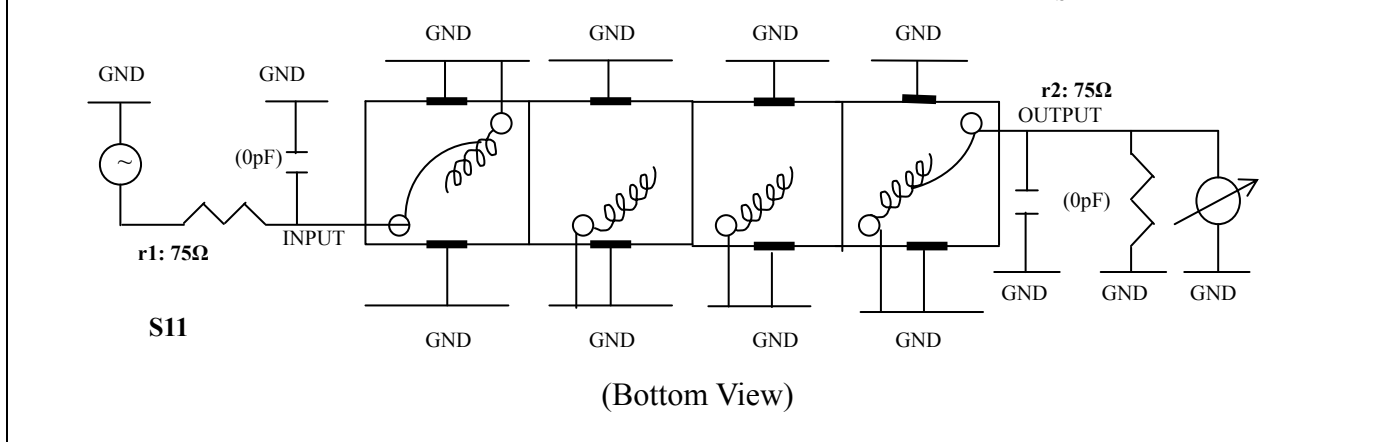
### (5) Temperature Condition:

Operating Temperature	0°C ~ +60°C
Storage Temperature	-20°C ~ +70°C

### (6) Input Power

> 1Watt

### (7) Measuring Circuit: ※Easy to match Impedance S11/S22 75Ω by parallel with about(0pF) / (0pF).



Approval C.Y.Chang	Supervisor C.K.Chang	Designer C.S.Chang	Aperture size 7H4S(4*4.65F)(4.72) 7H046LB4.3 聚 3
-----------------------	-------------------------	-----------------------	--

TEMWELL CORPORATION

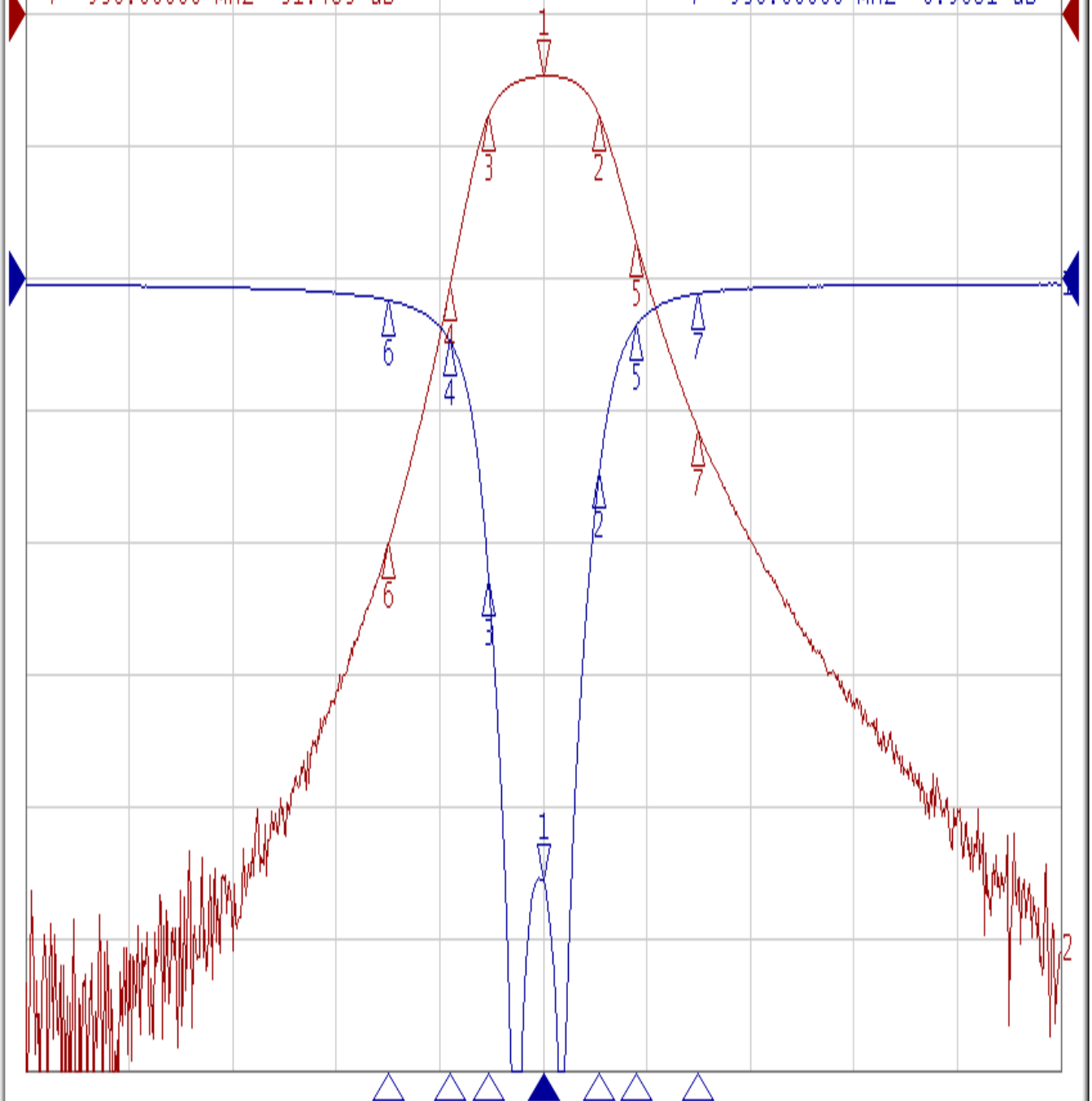
# Performance-TFL6427F-581M

## 200909005CD

Tr1 S11 Log Mag 5.000dB/ Ref 0.000dB [F2]  
Tr2 S21 Log Mag 10.00dB/ Ref 0.000dB [F2]

1	581.00000	MHz	-4.6628	dB
2	586.40300	MHz	-7.6598	dB
3	575.75550	MHz	-7.6193	dB
4	572.00000	MHz	-20.515	dB
5	590.00000	MHz	-17.103	dB
6	566.00000	MHz	-39.949	dB
7	596.00000	MHz	-31.483	dB

>1	581.00000	MHz	-22.811	dB
2	586.40300	MHz	-7.3530	dB
3	575.75550	MHz	-11.444	dB
4	572.00000	MHz	-2.3689	dB
5	590.00000	MHz	-1.7628	dB
6	566.00000	MHz	-0.8148	dB
7	596.00000	MHz	-0.5681	dB



1 Center 581 MHz

IFBW 10 kHz

Span 100 MHz Cor !