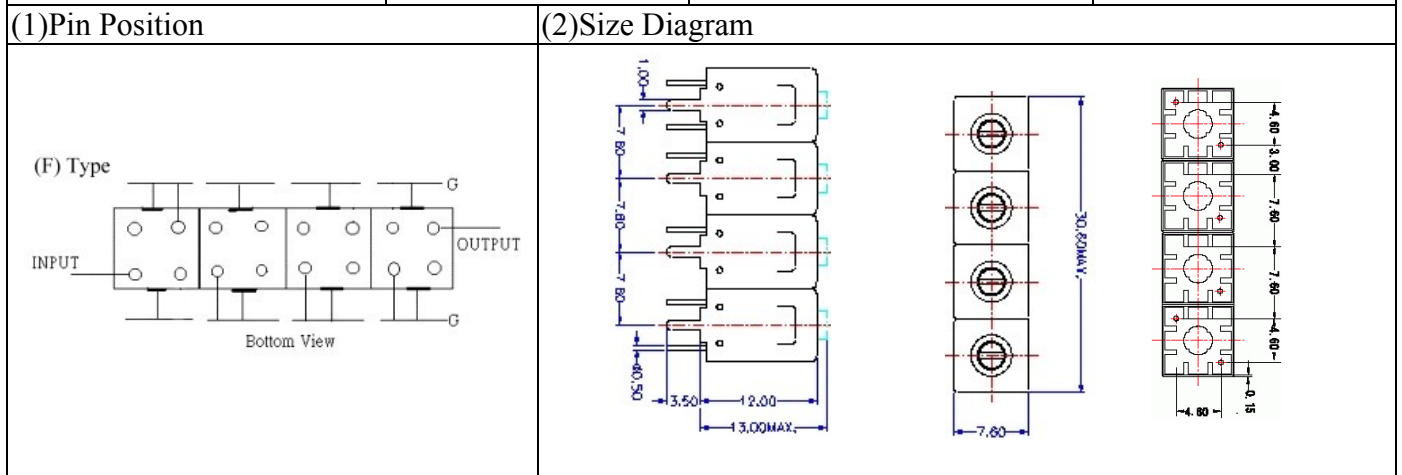


VHF UHF Helical Filter Specification Sheet

Customer Name		Temwell's Part No.	TFL64270F-525.25M
Approval No. /dated	0812116CD	Temwell's Print name	642670F 525.25M
Work Instruction No.	200812116CD	Date	Jan.08.2009



(3) Electric Characteristic

Item	Specify	Performance	
Center Freq.(Fo) +/- 0.5 %	525.25 MHz	525.25 MHz	
Insertion Loss	Typ. 6 dB	4.85 dB	
-3 dB Bandwidth	Typ. 8 MHz	11.0 MHz	
Sensitivity (Attenuation)	Fo - (20) MHz	Typ. 40 dB	43 dB
	Fo + (20) MHz	Typ. 42 dB	45 dB
	Fo - () MHz	Typ. dB	dB
	Fo + () MHz	Typ. dB	dB
Return Loss	Min. 12 dB	28.34 dB	
Ripple	< 1 dB	dB	
Impedance	In / Out : 75 Ω	In / Out : 75 Ω	

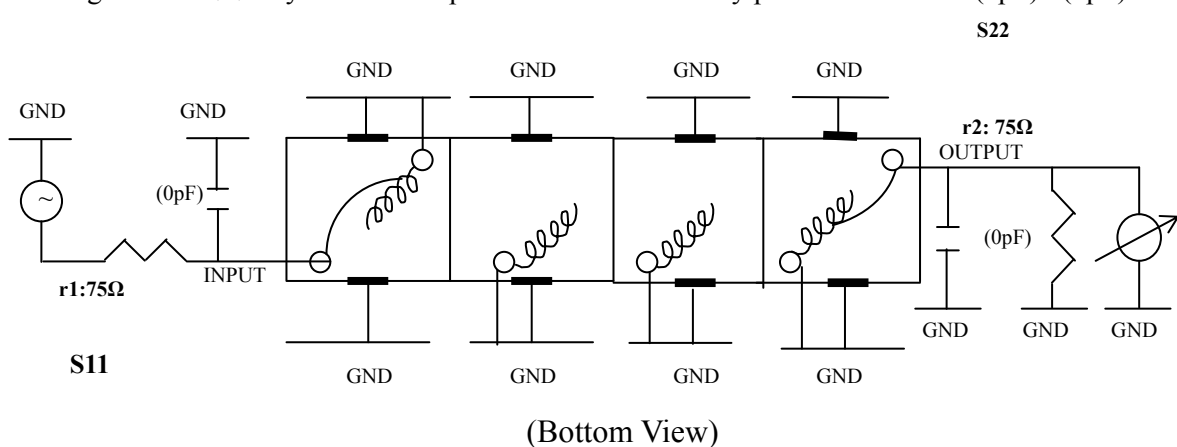
(4) Torque for Tuning Screw > 100gf • cm

(5) Temperature Condition:

Operating Temperature	0°C ~ +60°C
Storage Temperature	-20°C ~ +70°C

(6) Input Power > 1Watt

(7) Measuring Circuit: ※Easy to match Impedance S11/S22 75Ω by parallel with about(0pF) / (0pF).



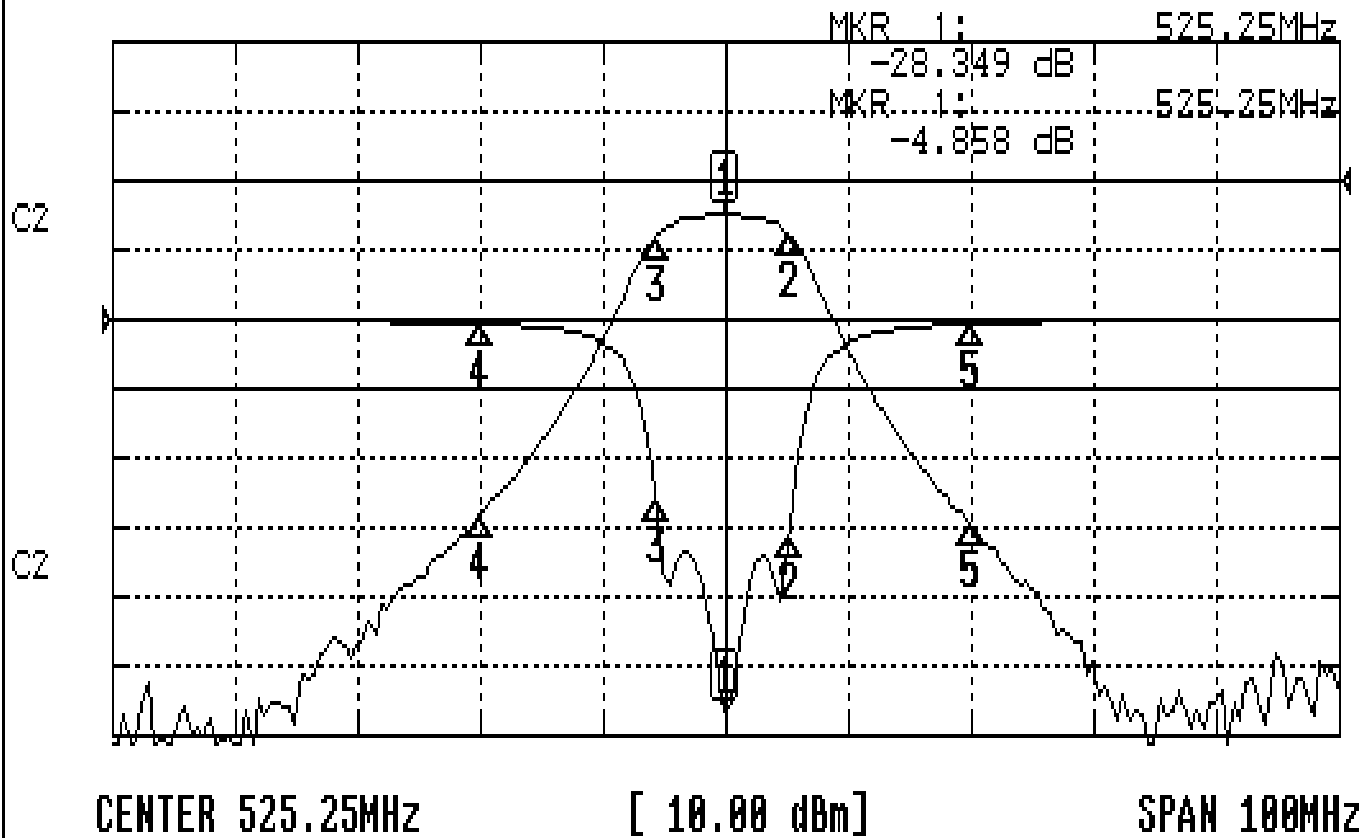
Approval	Supervisor	Designer	Aperture size
C.Y.Chang	C.S.Chang	W.W.Wang	7H4S(4*4.65F)(4.71) 7H046RB4

TEMWELL CORPORATION

Performance-TFL64270F-525.25M

200812116CD

CH1 S11 LOG MAG REF 0.000 dB 5.000 dB/
CH2 S21 LOG MAG REF 0.000 dB 10.000 dB/



CH1 MARKER LIST

1	525.250MHz	-28.349	dB
2	530.500MHz	-15.663	dB
3	519.583MHz	-13.072	dB
4	505.250MHz	-0.287	dB
5	545.250MHz	-0.290	dB

CH2 MARKER LIST

1	525.250MHz	-4.858	dB
2	530.500MHz	-7.870	dB
3	519.583MHz	-7.981	dB
4	505.250MHz	-48.433	dB
5	545.250MHz	-49.283	dB