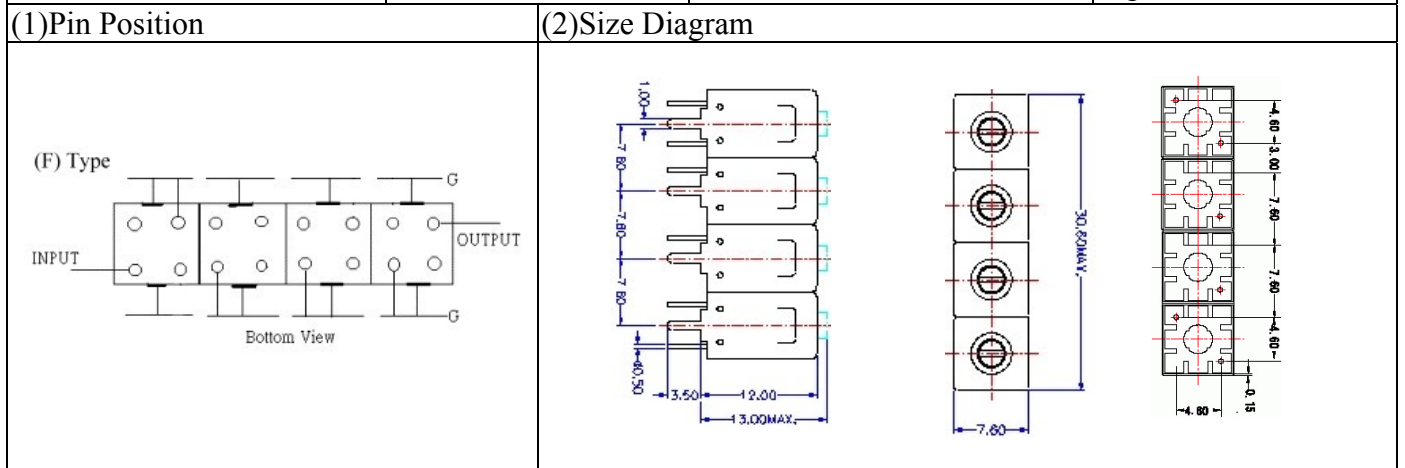


VHF UHF Helical Filter Specification Sheet

Customer Name		Temwell's Part No.	TFL6426F-557M
Approval No. /dated	0908111APR	Customer's Print Name.	6426F 557M
Work Instruction No.	200908111BD	Date	Sep.02.2009



(3) Electric Characteristic

Item	Specify	Performance	
Center Freq.(Fo) +/- 0.5 %	557 MHz	557 MHz	
Insertion Loss	Typ. 5.5 dB	4.90 dB	
-3 dB Bandwidth	Typ. 8 MHz	9.6 MHz	
Sensitivity (Attenuation)	Fo - (9) MHz	Typ. 20 dB	23 dB
	Fo + (9) MHz	Typ. 17 dB	20 dB
	Fo - () MHz	Typ. dBc	dBc
	Fo + () MHz	Typ. dBc	dBc
Return Loss	Min. 12 dB	19.3 dB	
Ripple	< 1 dB	dB	
Impedance	In / Out : 75 Ω	In / Out : 75 Ω	

(4) Torque for Tuning Screw

> 100gf · cm

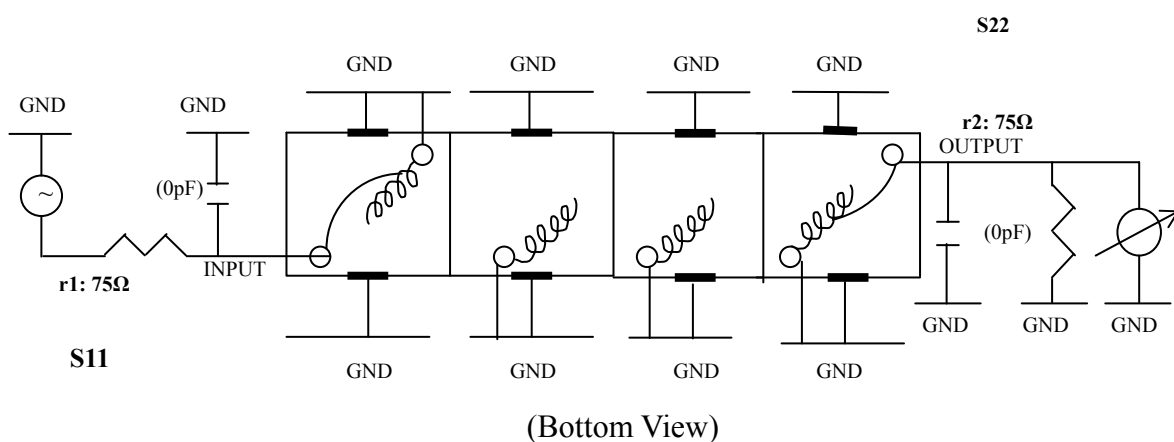
(5) Temperature Condition:

Operating Temperature	0°C ~ +60°C
Storage Temperature	-20°C ~ +70°C

(6) Input Power

> 1Watt

(7) Measuring Circuit: ※Easy to match Impedance S11/S22 75Ω by parallel with about(0pF) / (0pF).



Approval C.Y.Chang	Supervisor C.K.Chang	Designer C.S.Chang	Aperture size 7H4S(4*4.65F)(4.72) 7H046LB4.3 聚 3
-----------------------	-------------------------	-----------------------	--

TEMWELL CORPORATION

TEMWELL

Form10-7H4F Vision D

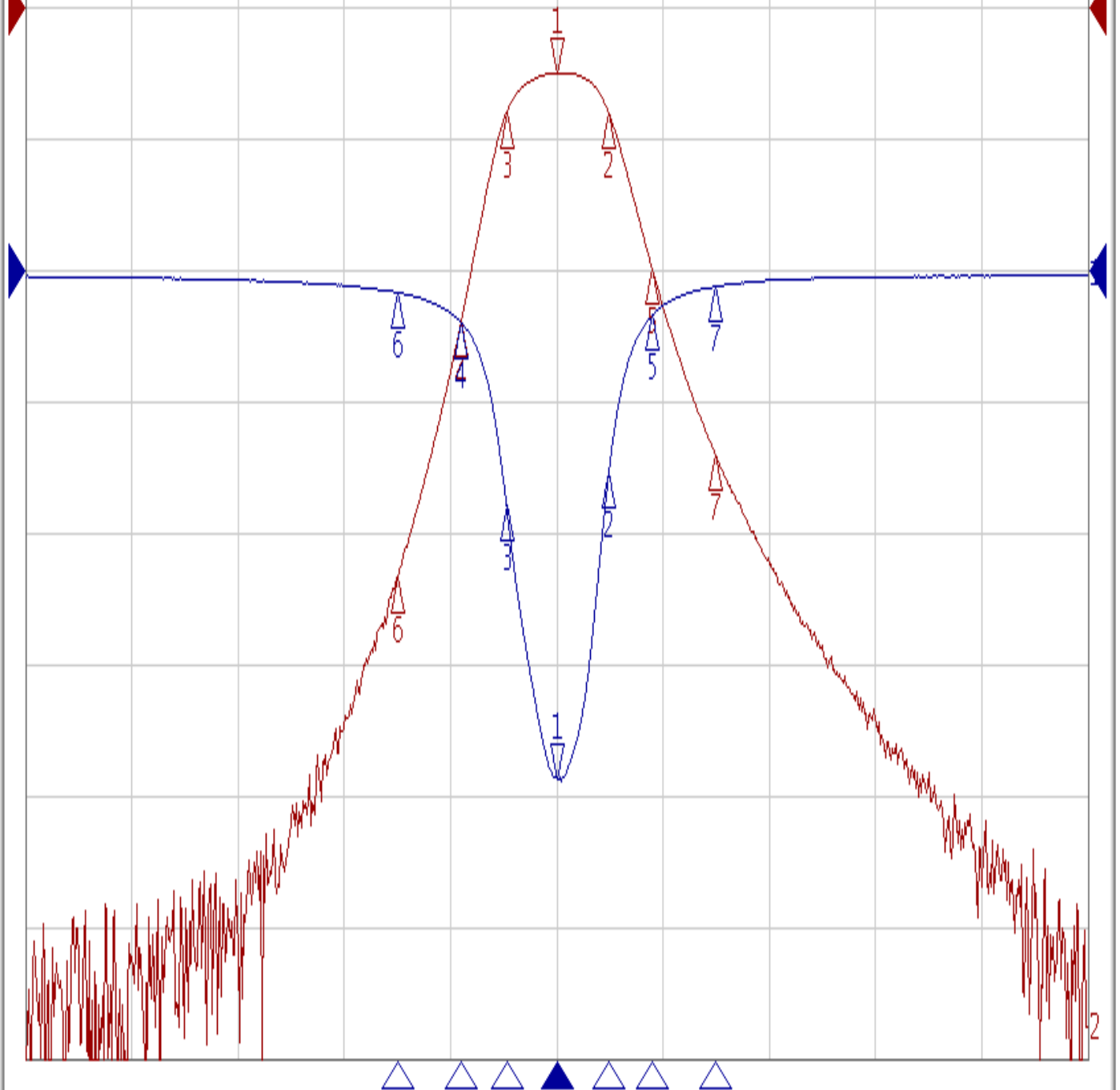
RP:(C.S.C)

Performance-TFL6426F-557M

20090811BD

Tr1 S11 Log Mag 5.000dB/ Ref 0.000dB [F2]
Tr2 S21 Log Mag 10.00dB/ Ref 0.000dB [F2]

1	557.00000	MHz	-4.9041	dB	>1	557.00000	MHz	-19.364	dB
2	561.87900	MHz	-7.9433	dB	2	561.87900	MHz	-7.6887	dB
3	552.29900	MHz	-7.9352	dB	3	552.29900	MHz	-8.9431	dB
4	548.00000	MHz	-23.837	dB	4	548.00000	MHz	-1.9710	dB
5	566.00000	MHz	-19.813	dB	5	566.00000	MHz	-1.6733	dB
6	542.00000	MHz	-43.409	dB	6	542.00000	MHz	-0.8229	dB
7	572.00000	MHz	-33.978	dB	7	572.00000	MHz	-0.5855	dB



1 Center 557 MHz

IFBW 10 kHz

Span 100 MHz Cor !