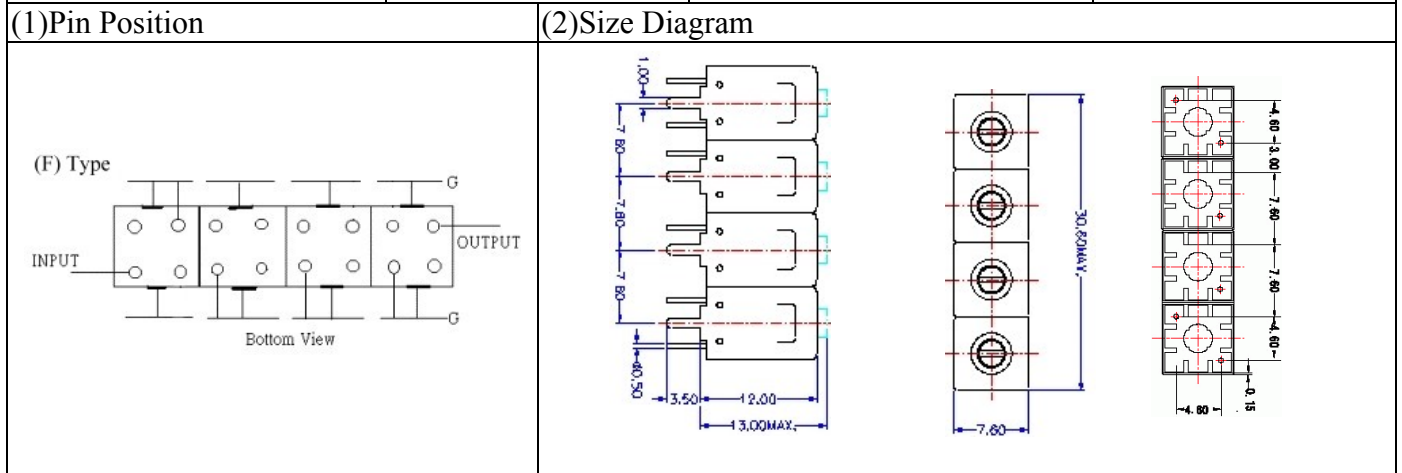


VHF UHF Helical Filter Specification Sheet

| | | | |
|----------------------|-------------|----------------------|-------------------|
| Customer Name | | Temwell's Part No. | TFL64265F-495.25M |
| Approval No. /dated | 0812111CD | Temwell's Print name | 64265F 495.25M |
| Work Instruction No. | 200812111CD | Date | Jan.07.2009 |



(3) Electric Characteristic

| Item | Specify | Performance |
|-----------------------------|-----------------|-----------------|
| Center Freq.(Fo) +/- 0.5 % | 495.25 MHz | 495.25 MHz |
| Insertion Loss | Typ. 6 dB | 5.03 dB |
| -3 dB Bandwidth | Typ. 8 MHz | 11.3 MHz |
| Sensitivity (Attenuation) | Fo - (20) MHz | Typ. 47 dB |
| | Fo + (20) MHz | Typ. 42 dB |
| | Fo - () MHz | Typ. dB |
| | Fo + () MHz | Typ. dB |
| Return Loss | Min. 12 dB | 21.89 dB |
| Ripple | < 1 dB | |
| Impedance | In / Out : 75 Ω | In / Out : 75 Ω |

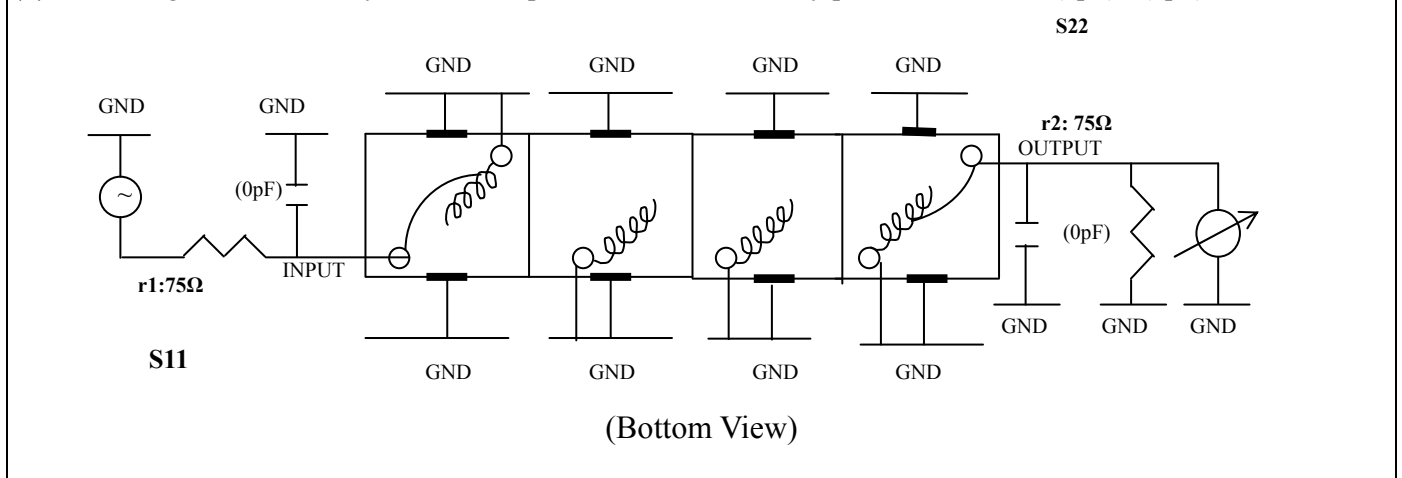
(4) Torque for Tuning Screw > 100gf • cm

(5) Temperature Condition:

| | |
|-----------------------|---------------|
| Operating Temperature | 0°C ~ +60°C |
| Storage Temperature | -20°C ~ +70°C |

(6) Input Power > 1Watt

(7) Measuring Circuit: ※Easy to match Impedance S11/S22 75Ω by parallel with about(0pF) / (0pF).

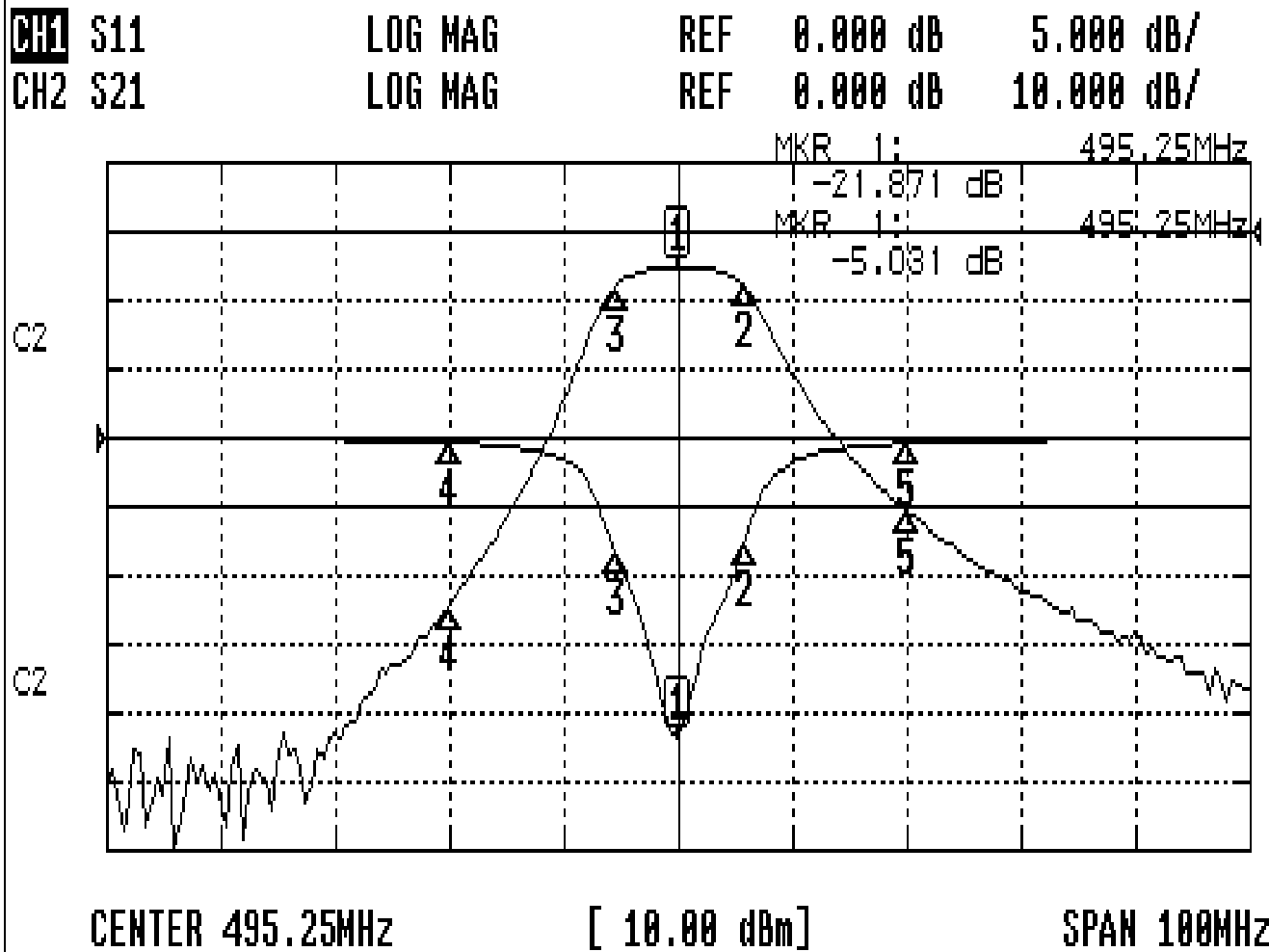


| | | | |
|-----------|------------|----------|------------------------------------|
| Approval | Supervisor | Designer | Aperture size |
| C.Y.Chang | C.S.Chang | W.W.Wanf | 7H4S(4*5.5F)(5.59) 7H046LB4 聚 3 |

TEMWELL CORPORATION

Performance-TFL64265F-495.25M

200812111CD



CH1 MARKER LIST

| Marker | Frequency (MHz) | Magnitude (dB) |
|--------|-----------------|----------------|
| 1 | 495.250 | -21.893 |
| 2 | 501.083 | -7.554 |
| 3 | 489.750 | -8.317 |
| 4 | 475.250 | -0.321 |
| 5 | 515.250 | -0.381 |

CH2 MARKER LIST

| Marker | Frequency (MHz) | Magnitude (dB) |
|--------|-----------------|----------------|
| 1 | 495.250 | -5.031 |
| 2 | 501.083 | -17.072 |
| 3 | 489.750 | -16.042 |
| 4 | 475.250 | -34.651 |
| 5 | 515.250 | -40.481 |