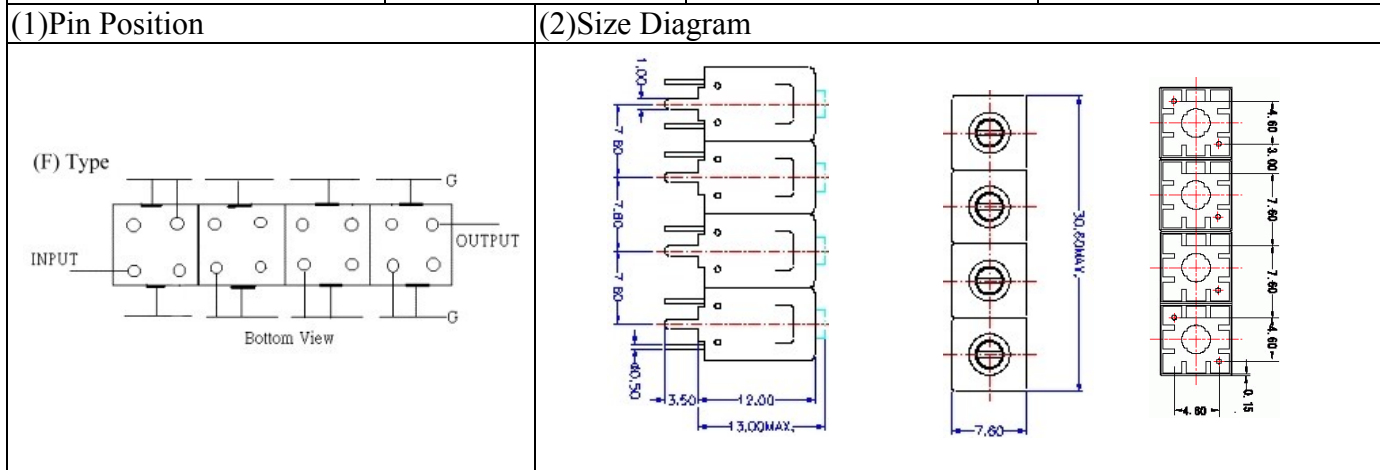


VHF UHF Helical Filter Specification Sheet

Customer Name		Temwell's Part No.	TFL64262F-477.25M
Approval No. /dated	0812108CD	Temwell's Print name	64262F 477.25M
Work Instruction No.	200812108CD	Date	Jan.05.2009



(3) Electric Characteristic

Item	Specify	Performance
Center Freq.(Fo) +/- 0.5 %	477.25 MHz	477.25 MHz
Insertion Loss	Typ. 5.5 dB	4.42 dB
-3 dB Bandwidth	Typ. 8 MHz	11.1 MHz
Sensitivity (Attenuation)	Fo - (20) MHz	Typ. 46 dB
	Fo + (20) MHz	Typ. 40 dB
	Fo - () MHz	Typ. dB
	Fo + () MHz	Typ. dB
Return Loss	Min. 12 dB	28.88 dB
Ripple	< 1 dB	dB
Impedance	In / Out : 75 Ω	In / Out : 75 Ω

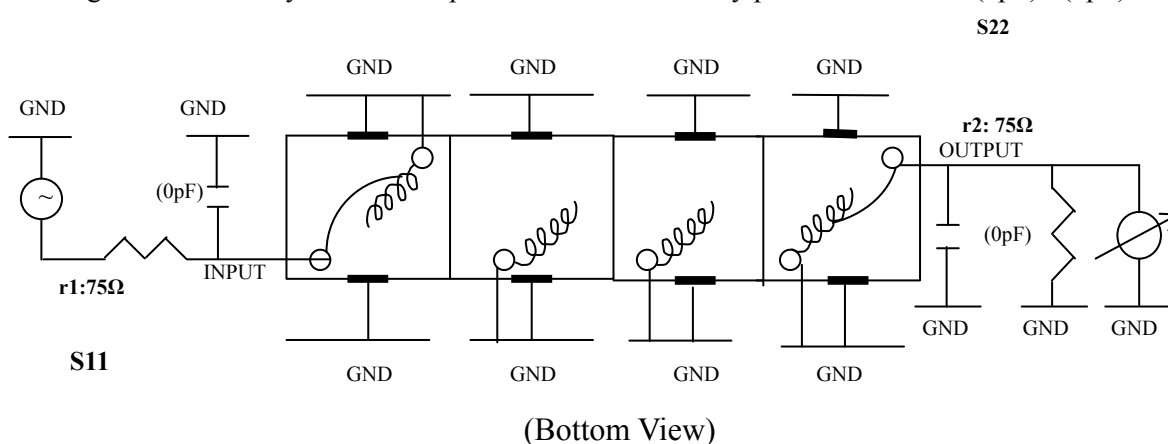
(4) Torque for Tuning Screw > 100gf · cm

(5) Temperature Condition:

Operating Temperature	0°C ~ +60°C
Storage Temperature	-20°C ~ +70°C

(6) Input Power > 1Watt

(7) Measuring Circuit: ※Easy to match Impedance S11/S22 75Ω by parallel with about(0pF) / (0pF).

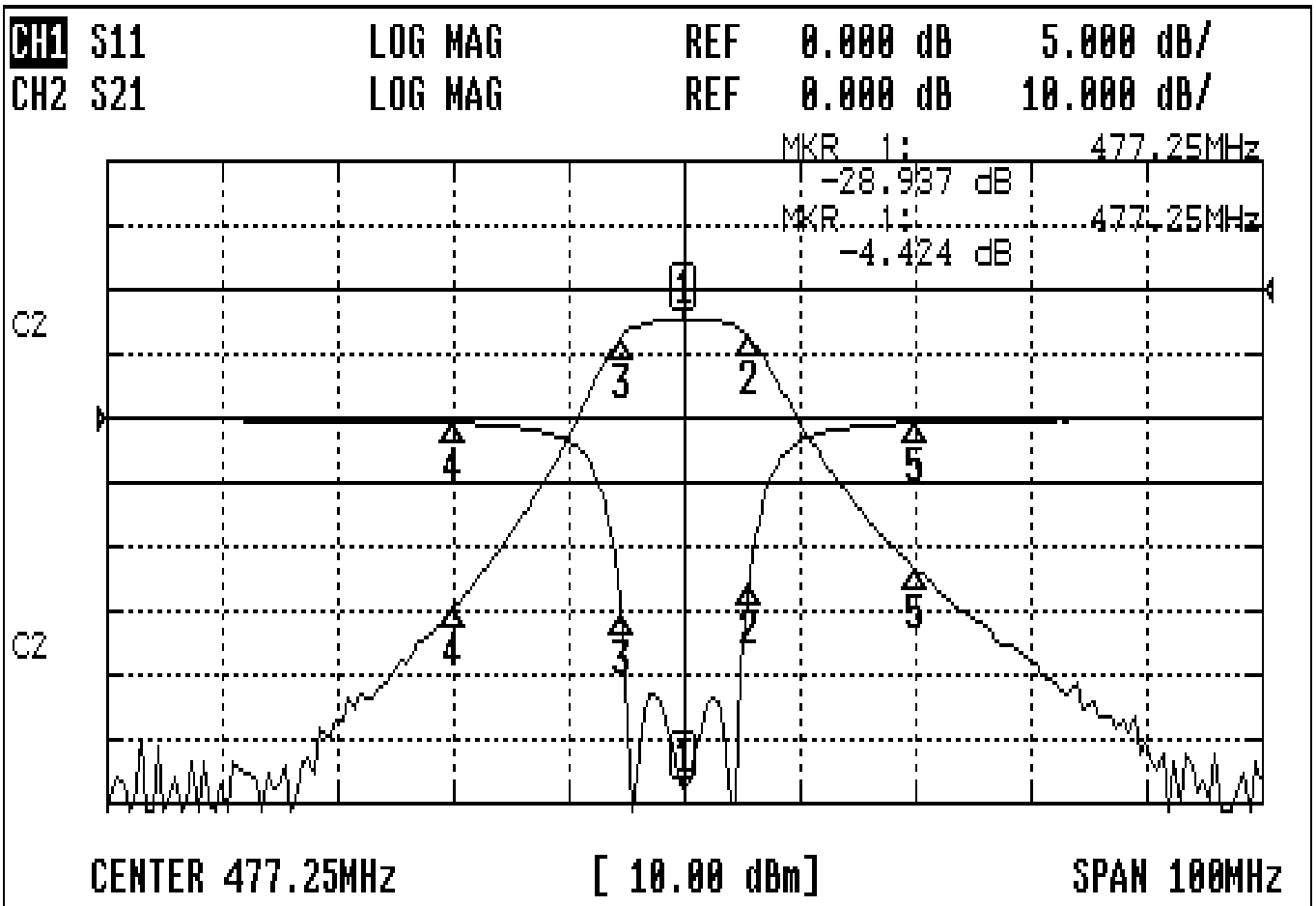


Approval	Supervisor	Designer	Aperture size
C.Y.Chang	C.S.Chang	W.W.Wang	7H4S(4*5.5)(5.55) 7H046RB4

TEMWELL CORPORATION

Performance-TFL64262F-477.25M

200812108CD



CH1 MARKER LIST

1:	477.250MHz	-28.884 dB
2:	482.916MHz	-12.795 dB
3:	471.833MHz	-15.473 dB
4:	457.250MHz	-0.380 dB
5:	497.250MHz	-0.354 dB

CH2 MARKER LIST

1:	477.250MHz	-4.424 dB
2:	482.916MHz	-7.482 dB
3:	471.833MHz	-7.401 dB
4:	457.250MHz	-49.143 dB
5:	497.250MHz	-43.535 dB