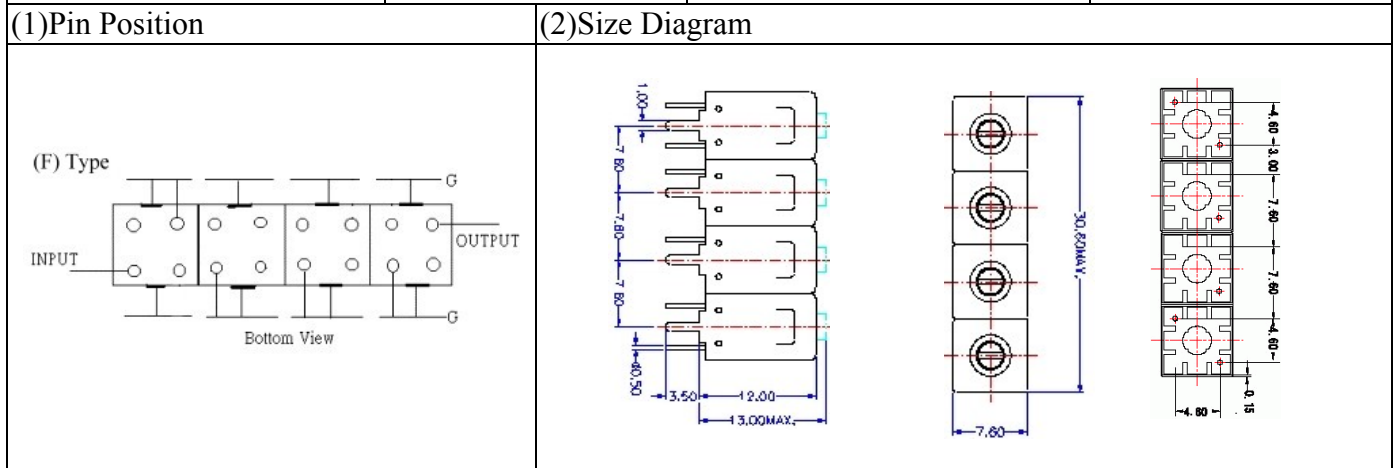
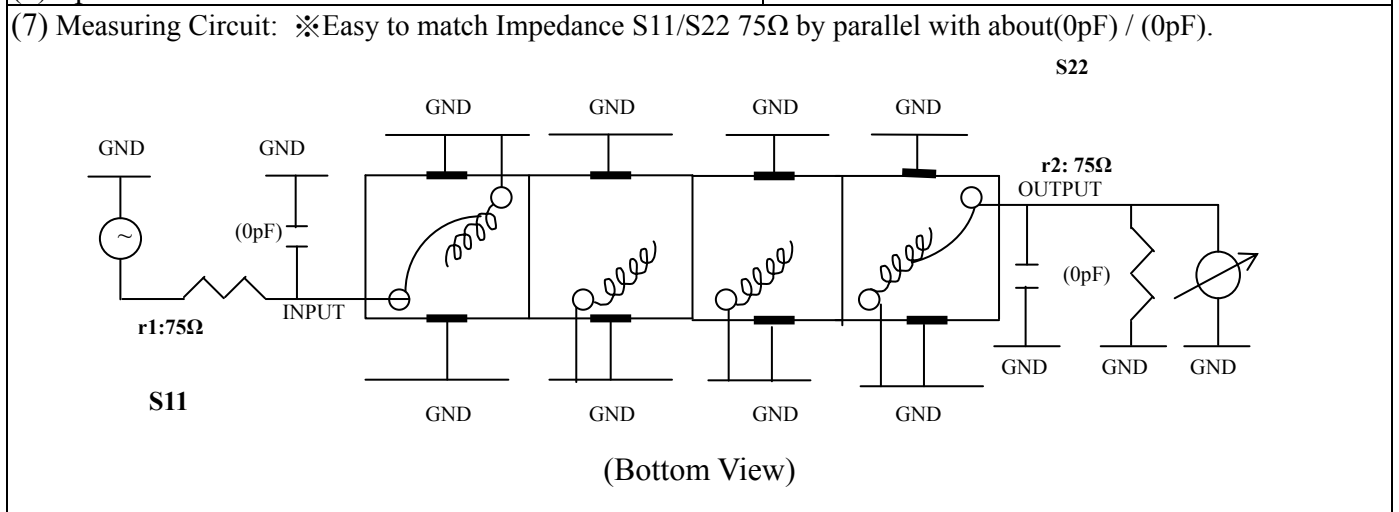


VHF UHF Helical Filter Specification Sheet

Customer Name		Temwell's Part No.	TFL64257F-193.25M
Approval No. /dated	0810136CD	Temwell's Print name	64257F 193.25M
Work Instruction No.	200810136CD	Date	Nov.03.2008



(3) Electric Characteristic		Specify	Performance
Item			
Center Freq.(Fo) +/- 0.5 %		193.25 MHz	193.25 MHz
Insertion Loss		Typ. 4.0 dB	3.02 dB
-3 dB Bandwidth		Typ. 8 MHz	10.6 MHz
Sensitivity (Attenuation)	Fo - (15) MHz	Typ. 47 dB	50 dB
	Fo + (15) MHz	Typ. 33 dB	36 dB
	Fo - () MHz	Typ. dB	dB
	Fo + () MHz	Typ. dB	dB
Return Loss		Min. 12 dB	24.8 dB
Ripple		< 1 dB	dB
Impedance		In / Out : 75Ω	In / Out : 75 Ω
(4) Torque for Tuning Screw		> 100gf · cm	
(5) Temperature Condition:			
Operating Temperature		0°C ~ +60°C	
Storage Temperature		-20°C ~ +70°C	
(6) Input Power		> 1Watt	



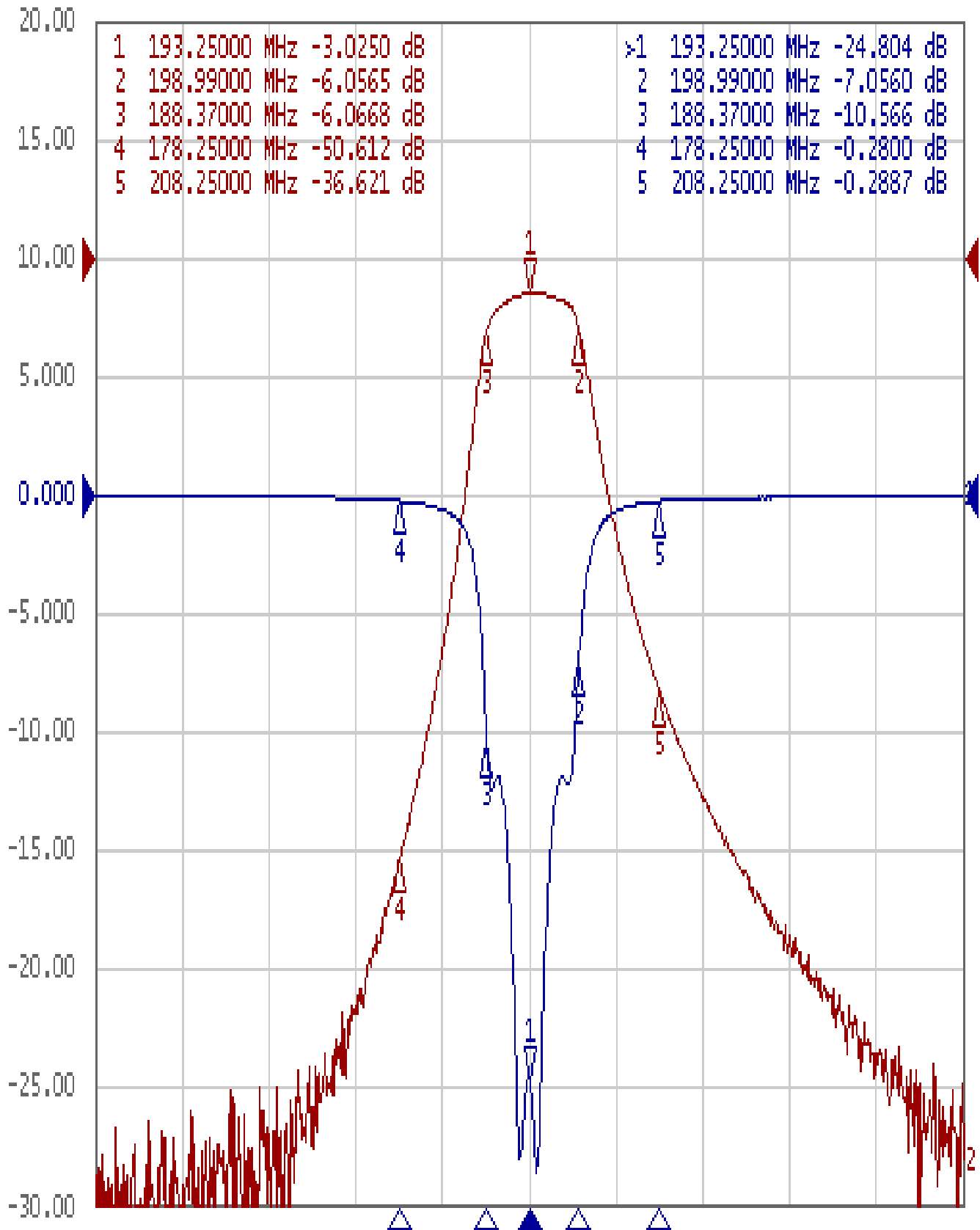
Approval C.Y.Chang	Supervisor C.S.Chang	Designer Y.H.Yeh	Aperture size 7H4S(4*6.5F) 7H024LB4
-----------------------	-------------------------	---------------------	---

TEMWELL CORPORATION

Performance-TFL64257F-193.25M

200810136CD

▶ Tr1 S11 Log Mag 5.000dB/ Ref 0.000dB [F2]
Tr2 S21 Log Mag 10.000dB/ Ref 0.000dB [F2]



1 Center 193.25 MHz

IFBW 10 kHz

Span 100 MHz Cor !