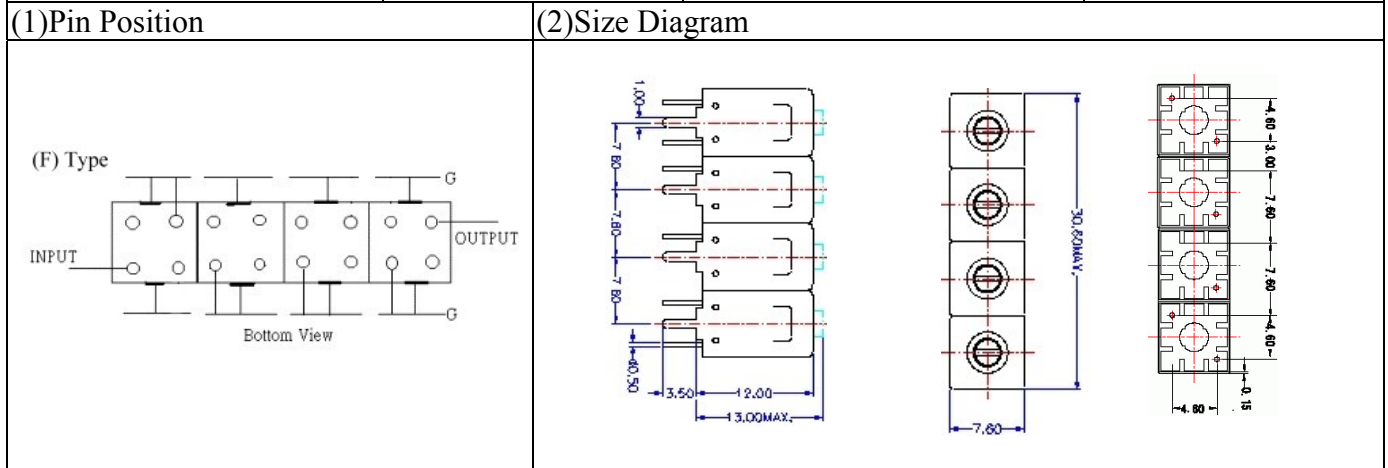


VHF UHF Helical Filter Specification Sheet

Customer Name		Temwell's Part No.	TFL64256F-187.25M
Approval No. /dated	0810135CD	Temwell's Print name	64256F 187.25M
Work Instruction No.	200810135CD	Date	Nov.03.2008



(3) Electric Characteristic

Item	Specify	Performance
Center Freq.(Fo) +/- 0.5 %	187.25 MHz	187.25 MHz
Insertion Loss	Typ. 4.0 dB	2.90 dB
-3 dB Bandwidth	Typ. 8 MHz	10.7 MHz
Sensitivity (Attenuation)	Fo - (15) MHz	Typ. 45 dB
	Fo + (15) MHz	Typ. 31 dB
	Fo - () MHz	Typ. dB
	Fo + () MHz	Typ. dB
Return Loss	Min. 12 dB	20.2 dB
Ripple	< 1 dB	dB
Impedance	In / Out : 75Ω	In / Out : 75 Ω

(4) Torque for Tuning Screw > 100gf · cm

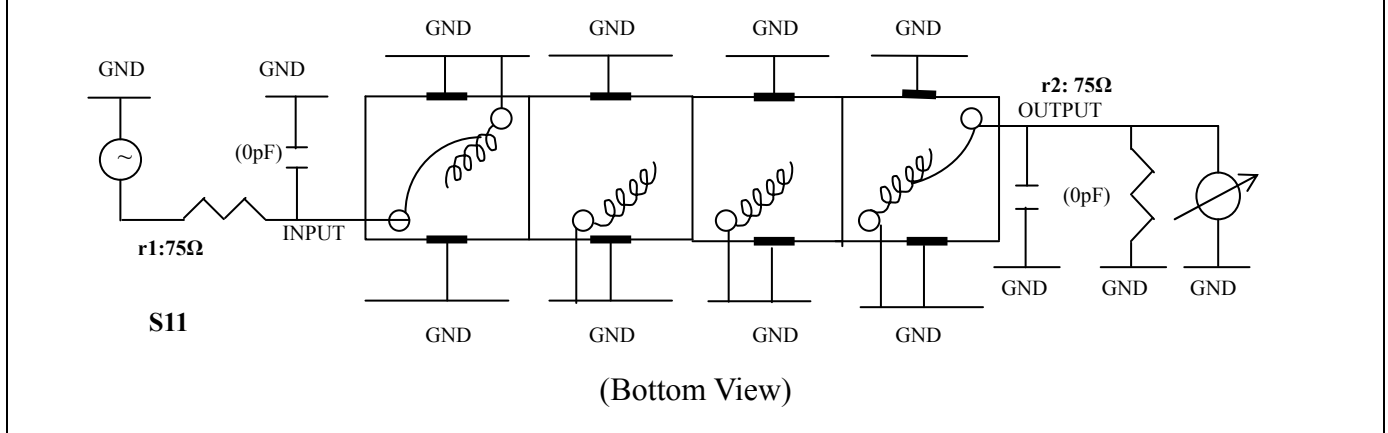
(5) Temperature Condition:

Operating Temperature	0°C ~ +60°C
-----------------------	-------------

Storage Temperature	-20°C ~ +70°C
---------------------	---------------

(6) Input Power > 1Watt

(7) Measuring Circuit: ※Easy to match Impedance S11/S22 75Ω by parallel with about(0pF) / (0pF).



Approval	Supervisor	Designer	Aperture size
C.Y.Chang	C.S.Chang	Y.H.Yeh	7H4S(4*6.5F) 7H024LB4

TEMWELL CORPORATION

Performance-TFL64256F-187.25M

200810135CD

