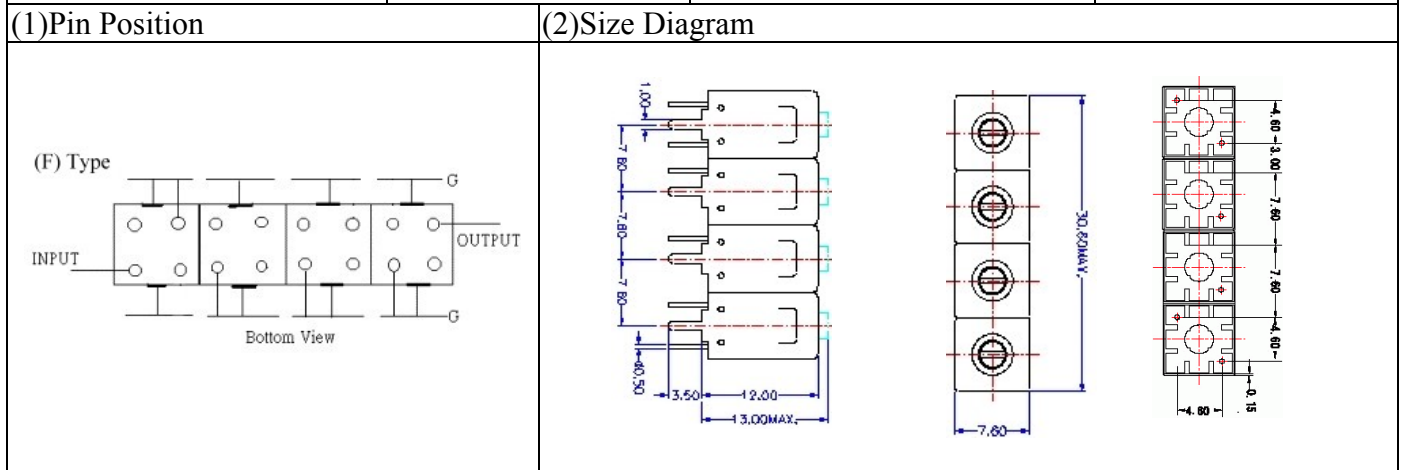
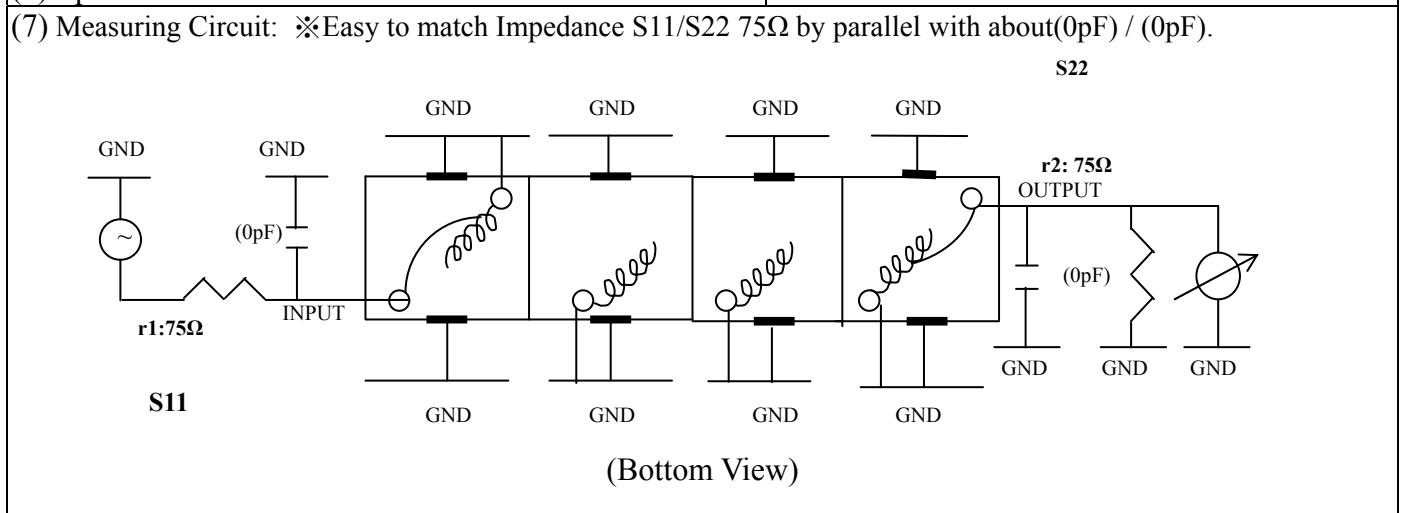


VHF UHF Helical Filter Specification Sheet

Customer Name		Temwell's Part No.	TFL64255F-181.25M
Approval No. /dated	0810134CD	Temwell's Print name	64255F 181.25M
Work Instruction No.	200810134CD	Date	Oct.30.2008



(3) Electric Characteristic					
Item		Specify		Performance	
Center Freq.(Fo) +/- 0.5 %		181.25	MHz	181.25	MHz
Insertion Loss		Typ. 4.0	dB	3.07	dB
-3 dB Bandwidth		Typ. 8	MHz	10.5	MHz
Sensitivity (Attenuation)	Fo - (15) MHz	Typ. 48	dB	51	dB
	Fo + (15) MHz	Typ. 31	dB	34	dB
	Fo - () MHz	Typ.	dB		dB
	Fo + () MHz	Typ.	dB		dB
Return Loss		Min. 12	dB	23.6	dB
Ripple		< 1	dB		dB
Impedance		In / Out : 75Ω		In / Out : 75 Ω	
(4) Torque for Tuning Screw		> 100gf · cm			
(5) Temperature Condition:					
Operating Temperature		0°C ~ +60°C			
Storage Temperature		-20°C ~ +70°C			
(6) Input Power		> 1Watt			



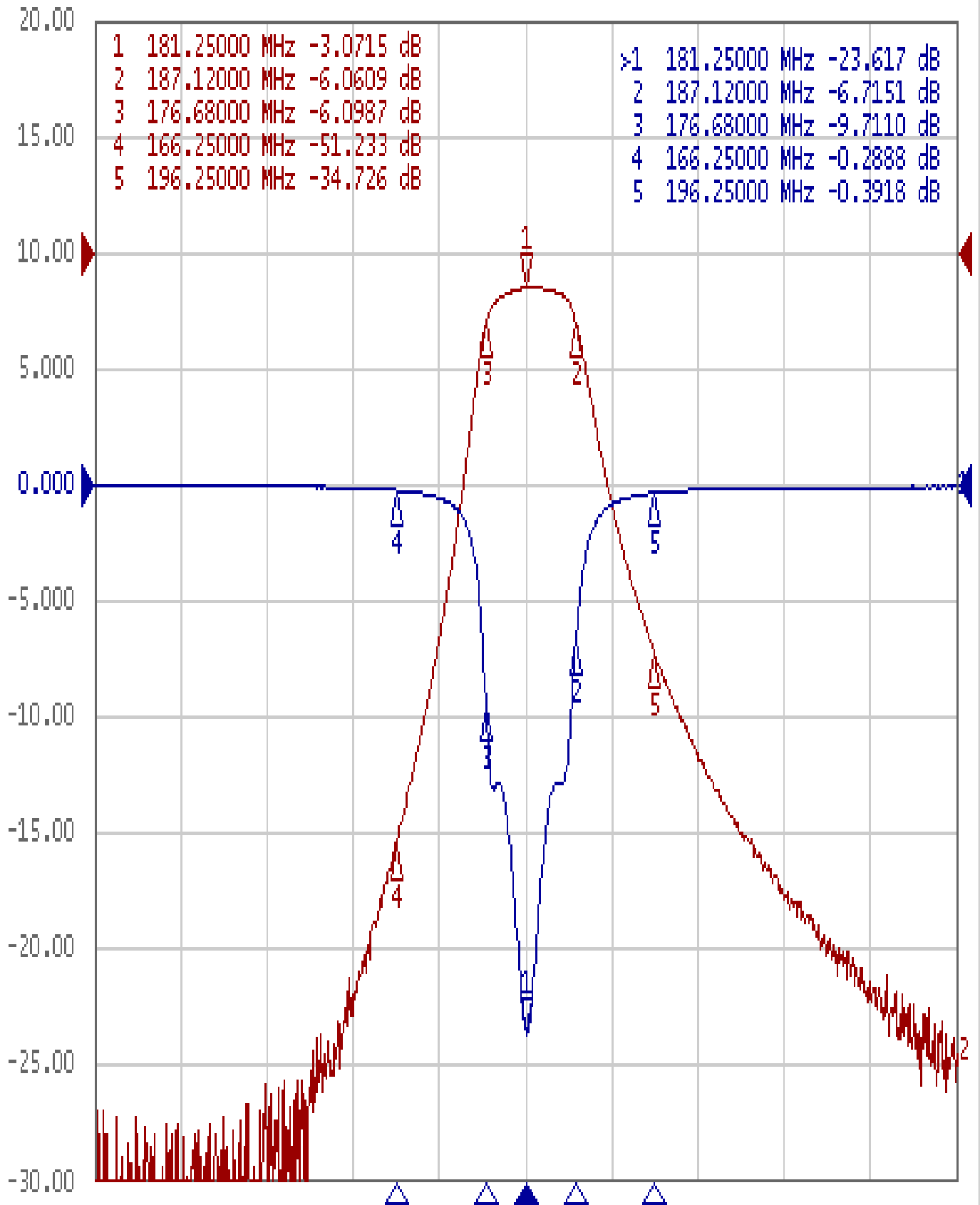
Approval	Supervisor	Designer	Aperture size
C.Y.Chang	C.S.Chang	Y.H.Yeh	7H4S(4*6.5F) 7H024LB4

TEMWELL CORPORATION

Performance-TFL64255F-181.25M

200810134CD

▶ Tr1 S11 Log Mag 5.000dB/ Ref 0.000dB [F2]
Tr2 S21 Log Mag 10.00dB/ Ref 0.000dB [F2]



1 Center 181.25 MHz

IFBW 10 kHz

Span 100 MHz Cor !