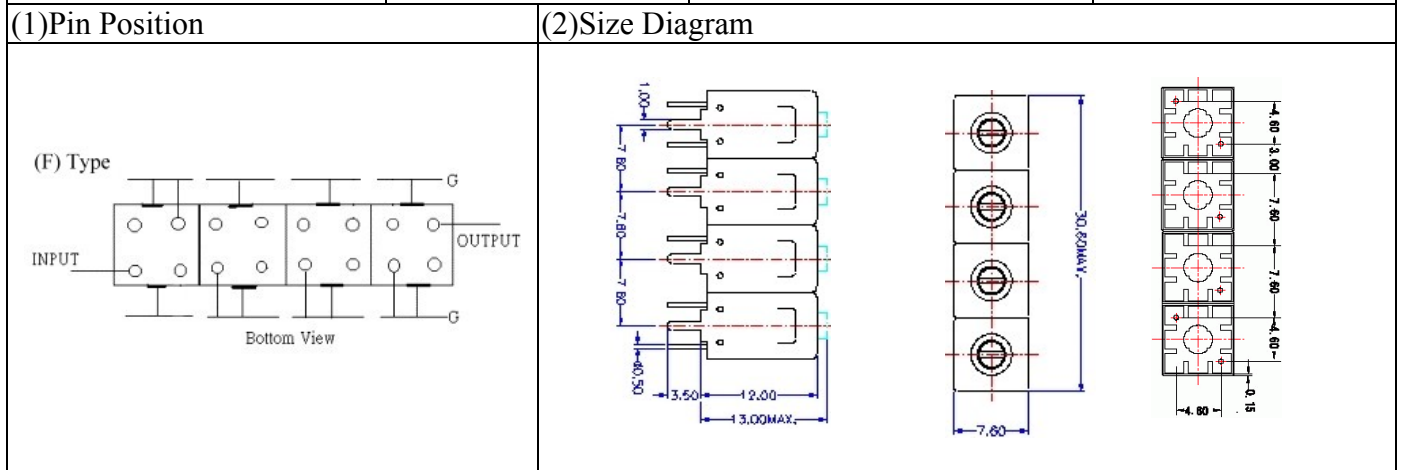


VHF UHF Helical Filter Specification Sheet

Customer Name		Temwell's Part No.	TFL64254F-175.25M
Approval No. /dated	0810133CD	Temwell's Print name	64254F 175.25M
Work Instruction No.	200810133CD	Date	Oct.30.2008



(3) Electric Characteristic

Item	Specify	Performance	
Center Freq.(Fo) +/- 0.5 %	175.25 MHz	175.25 MHz	
Insertion Loss	Typ. 4.0 dB	2.87 dB	
-3 dB Bandwidth	Typ. 8 MHz	10.1 MHz	
Sensitivity (Attenuation)	Fo - (15) MHz	Typ. 49 dB	52 dB
	Fo + (15) MHz	Typ. 33 dB	36 dB
	Fo - () MHz	Typ. dB	dB
	Fo + () MHz	Typ. dB	dB
Return Loss	Min. 12 dB	29.3 dB	
Ripple	< 1 dB	dB	
Impedance	In / Out : 75Ω	In / Out : 75 Ω	

(4) Torque for Tuning Screw

> 100gf • cm

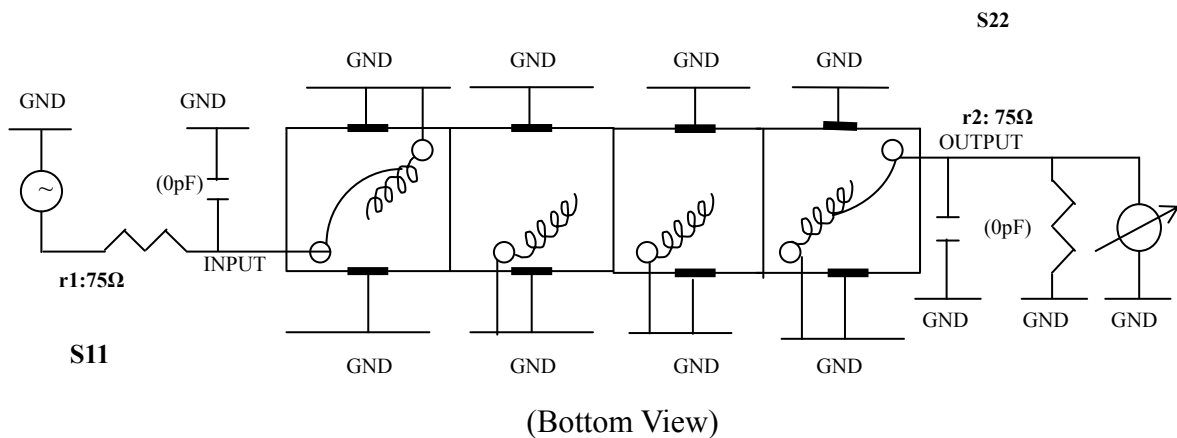
(5) Temperature Condition:

Operating Temperature	0°C ~ +60°C
Storage Temperature	-20°C ~ +70°C

(6) Input Power

> 1Watt

(7) Measuring Circuit: ※Easy to match Impedance S11/S22 75Ω by parallel with about(0pF) / (0pF).



Approval	Supervisor	Designer	Aperture size
C.Y.Chang	C.S.Chang	Y.H.Yeh	7H4S(4*6.5F) 7H024LB4

TEMWELL CORPORATION

TEMWELL

Form10-7H4F Vision D

RP(Y.H.Y)

Performance-TFL64254F-175.25M

200810133CD

