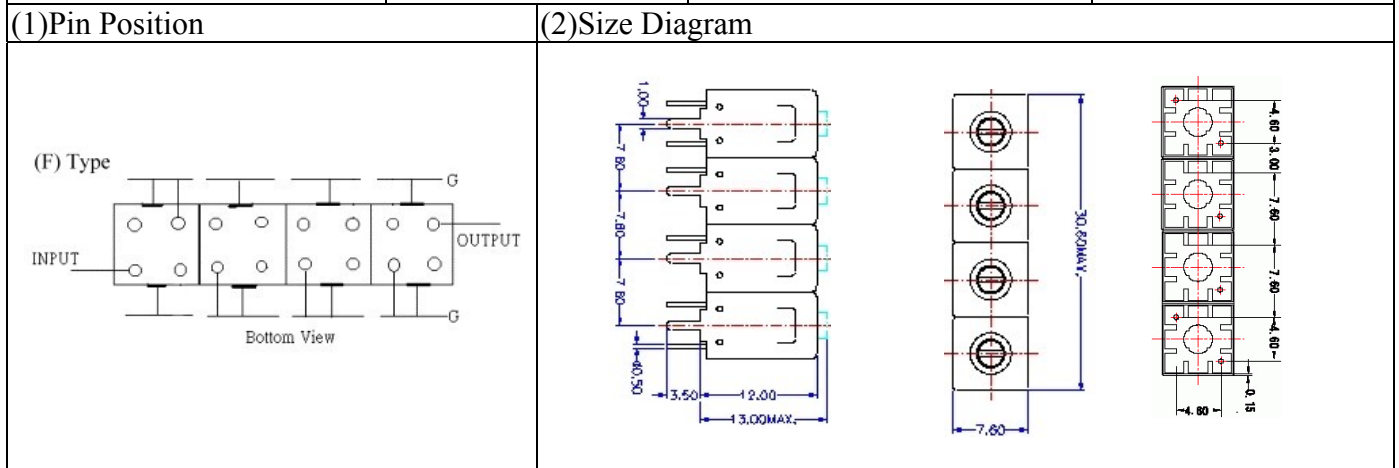


VHF UHF Helical Filter Specification Sheet

Customer Name		Temwell's Part No.	TFL64253F-83.25M
Approval No. /dated	0810132CD	Temwell's Print name	64253F 83.25M
Work Instruction No.	200810132CD	Date	Oct.23.2008



(3) Electric Characteristic

Item	Specify	Performance	
Center Freq.(Fo) +/- 0.5 %	83.25 MHz	83.25 MHz	
Insertion Loss	Typ. 4.0 dB	2.89 dB	
-3 dB Bandwidth	Typ. 8 MHz	10.2 MHz	
Sensitivity (Attenuation)	Fo - (15) MHz	Typ. 50 dB	53 dB
	Fo + (15) MHz	Typ. 39 dB	42 dB
	Fo - () MHz	Typ. dB	dB
	Fo + () MHz	Typ. dB	dB
Return Loss	Min. 12 dB	18.3 dB	
Ripple	< 1 dB	dB	
Impedance	In / Out : 75Ω	In / Out : 75 Ω	

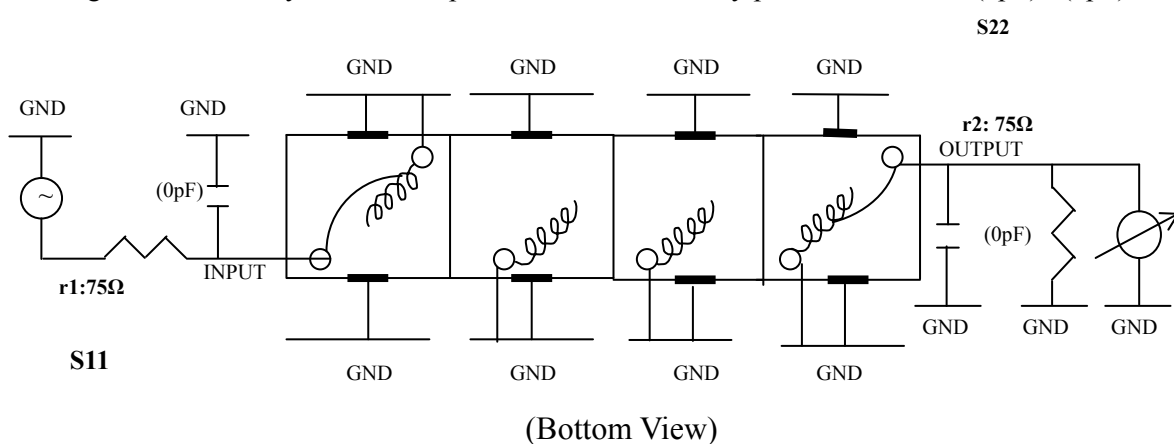
(4) Torque for Tuning Screw > 100gf • cm

(5) Temperature Condition:

Operating Temperature	0°C ~ +60°C
Storage Temperature	-20°C ~ +70°C

(6) Input Power > 1Watt

(7) Measuring Circuit: ※Easy to match Impedance S11/S22 75Ω by parallel with about(0pF) / (0pF).



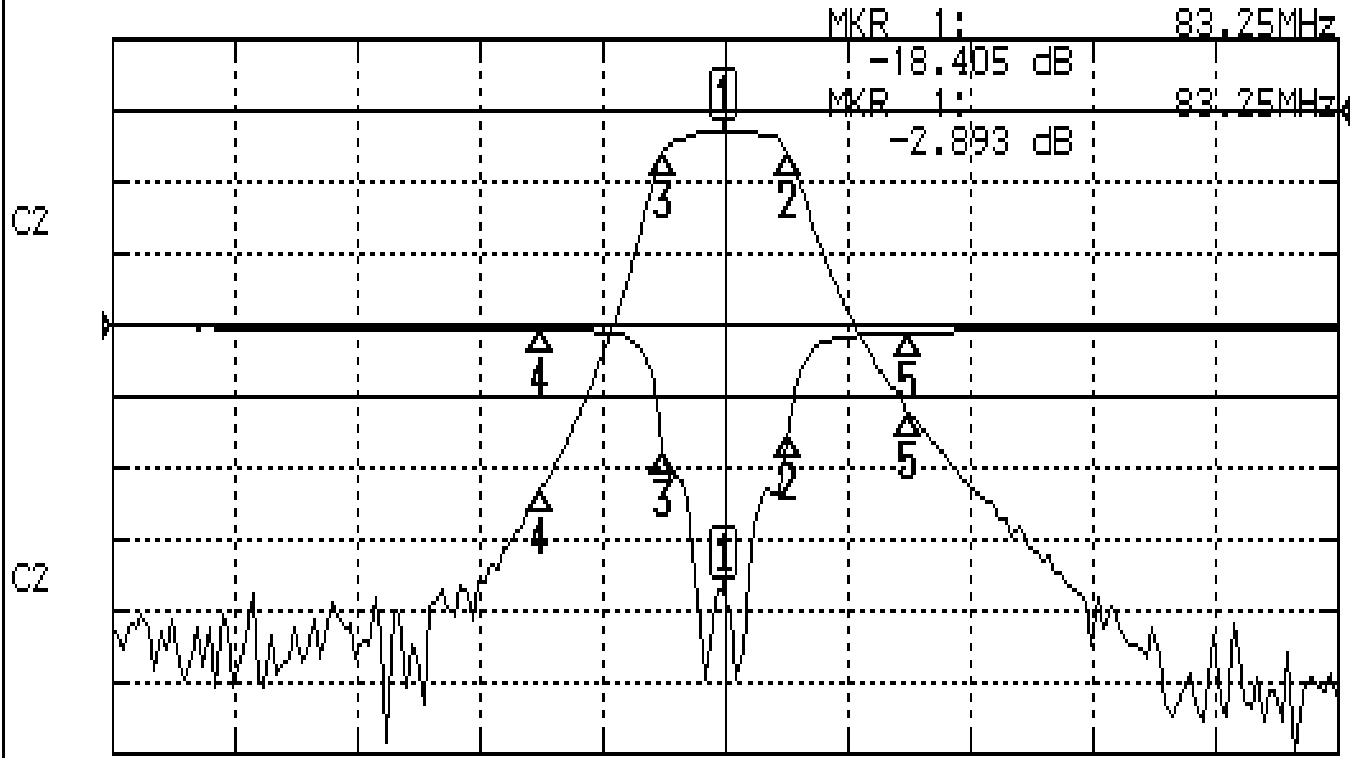
Approval	Supervisor	Designer	Aperture size
C.Y.Chang	C.S.Chang	P.H.Chiang	7H4(4*5.5F) 7H00LB6

TEMWELL CORPORATION

Performance-TFL64253F-83.25M

200810132CD

CH1 S11 LOG MAG REF 0.000 dB 5.000 dB/
CH2 S21 LOG MAG REF 0.000 dB 10.000 dB/



CENTER 83.25MHz

[10.00 dBm]

SPAN 100MHz

CH1 MARKER LIST

Marker	Frequency (MHz)	Magnitude (dB)	Phase (deg)
1	83.2500	-18.389	0.000
2	80.0000	-7.000	0.000
3	70.0000	-1.000	0.000
4	60.0000	-1.000	0.000
5	50.0000	-0.522	0.000

CH2 MARKER LIST

Marker	Frequency (MHz)	Magnitude (dB)	Phase (deg)
1	83.2500	-2.893	0.000
2	80.0000	-1.111	0.000
3	70.0000	-1.000	0.000
4	60.0000	-1.000	0.000
5	50.0000	-2.096	0.000