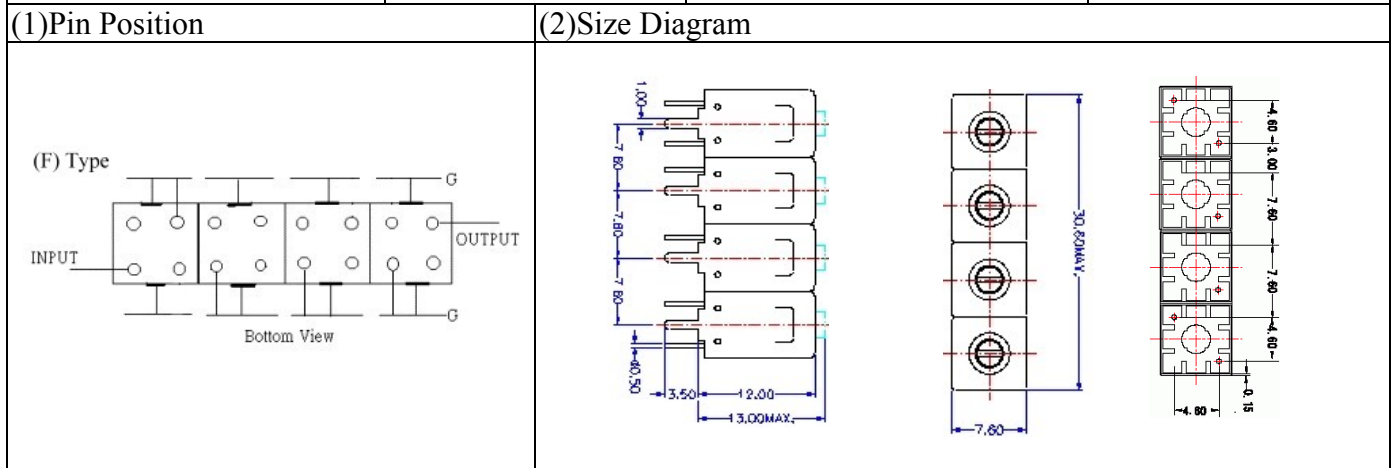


VHF UHF Helical Filter Specification Sheet

Customer Name		Temwell's Part No.	TFL64252F-77.25M
Approval No. /dated	0810131CD	Temwell's Print name	64252F 77.25M
Work Instruction No.	200810131CD	Date	Oct.23.2008



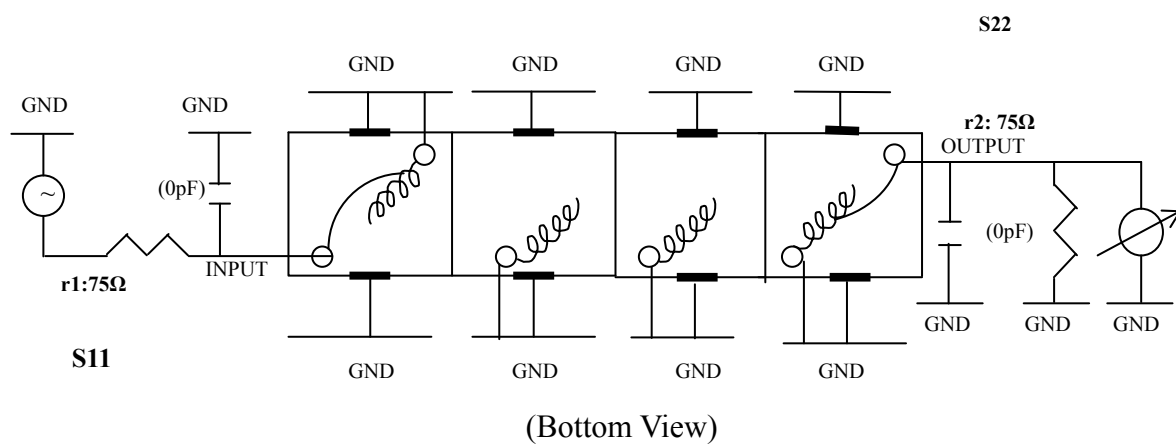
(3) Electric Characteristic		Item	Specify	Performance
Center Freq.(Fo) +/- 0.5 %			77.25 MHz	77.25 MHz
Insertion Loss		Typ.	4.0 dB	2.92 dB
-3 dB Bandwidth		Typ.	8 MHz	9.8 MHz
Sensitivity (Attenuation)	Fo - (15) MHz	Typ.	52 dB	55 dB
	Fo + (15) MHz	Typ.	36 dB	39 dB
	Fo - () MHz	Typ.	dB	dB
	Fo + () MHz	Typ.	dB	dB
Return Loss		Min.	12 dB	27.1 dB
Ripple			< 1 dB	dB
Impedance			In / Out : 75Ω	In / Out : 75 Ω

(4) Torque for Tuning Screw > 100gf · cm

(5) Temperature Condition:
 Operating Temperature 0°C ~ +60°C
 Storage Temperature -20°C ~ +70°C

(6) Input Power > 1Watt

(7) Measuring Circuit: ※Easy to match Impedance S11/S22 75Ω by parallel with about(0pF) / (0pF).

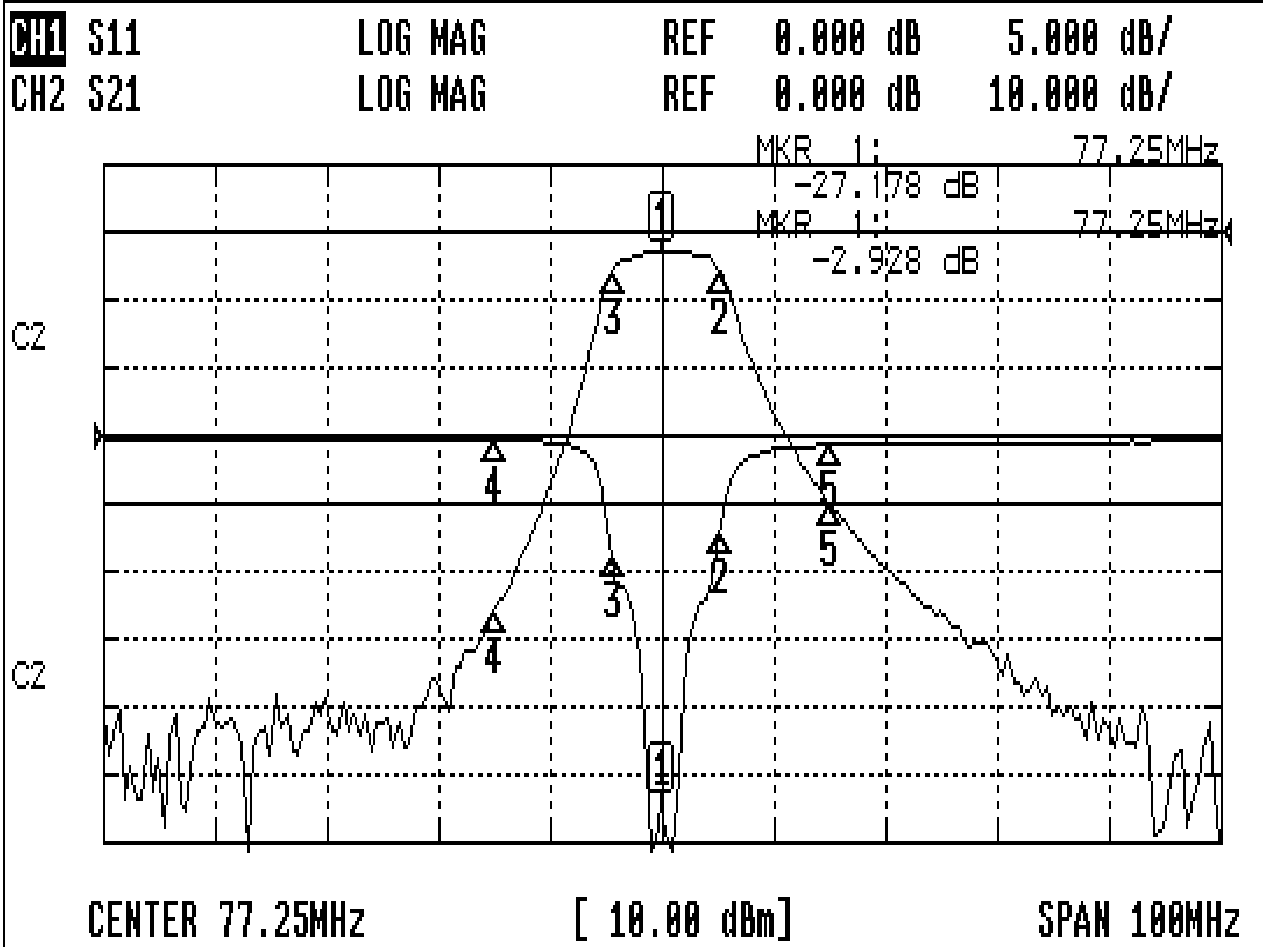


Approval	Supervisor	Designer	Aperture size
C.Y.Chang	C.S.Chang	P.H.Chiang	7H4(4*5.5F) 7H00LB6

TEMWELL CORPORATION

Performance-TFL64252F-77.25M

200810131CD



CH1 MARKER LIST

1:	77.250MHz	-27.178 dB
2:	82.500MHz	-6.936 dB
3:	72.750MHz	-8.896 dB
4:	62.250MHz	-0.329 dB
5:	92.250MHz	-0.685 dB
6:		
7:		
8:		
9:		
10:		

CH2 MARKER LIST

1:	77.250MHz	-2.928 dB
2:	82.500MHz	-1.152 dB
3:	72.750MHz	-1.997 dB
4:	62.250MHz	-1.804 dB
5:	92.250MHz	-1.878 dB
6:		
7:		
8:		
9:		
10:		