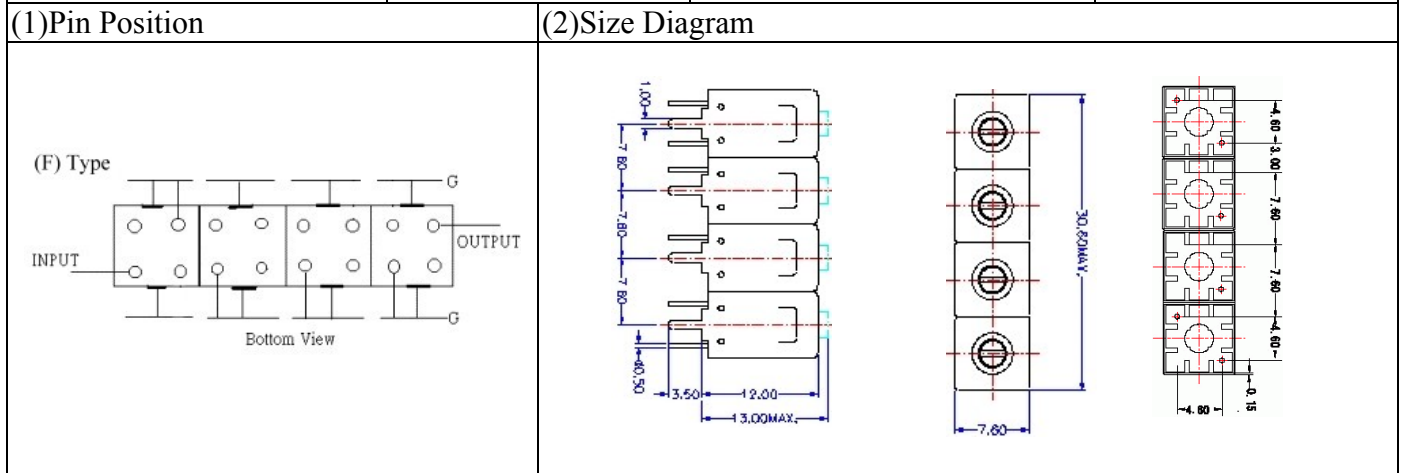
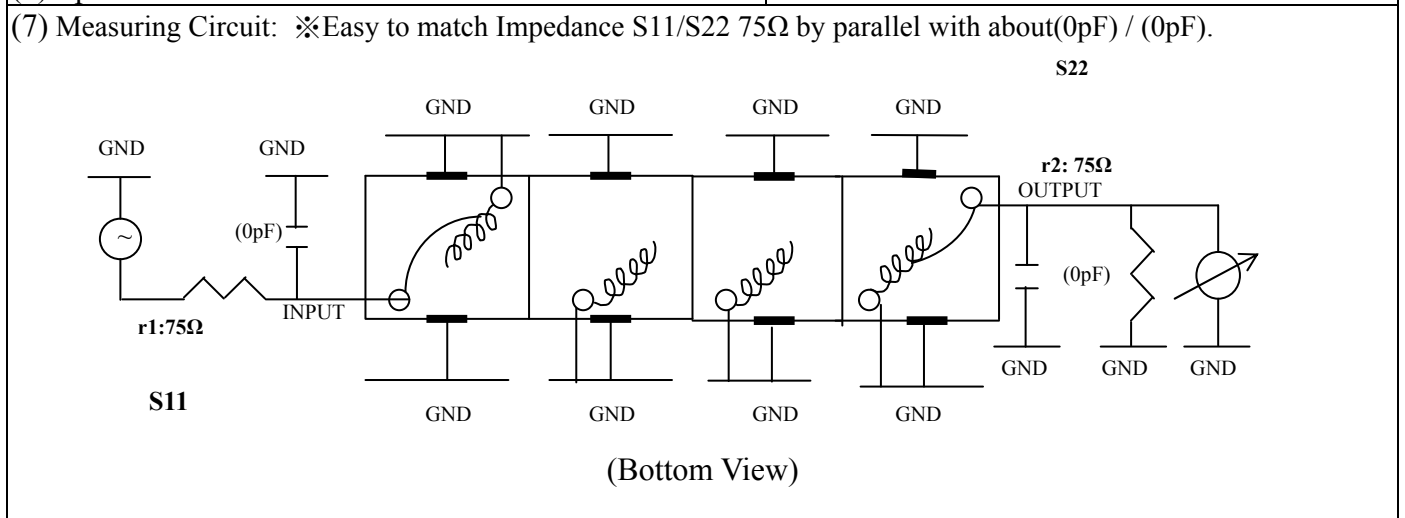


# VHF UHF Helical Filter Specification Sheet

Customer Name		Temwell's Part No.	TFL64249F-55.25M
Approval No. /dated	0810103CD	Temwell's Print name	64249F 55.25M
Work Instruction No.	200810103CD	Date	Oct.23.2008



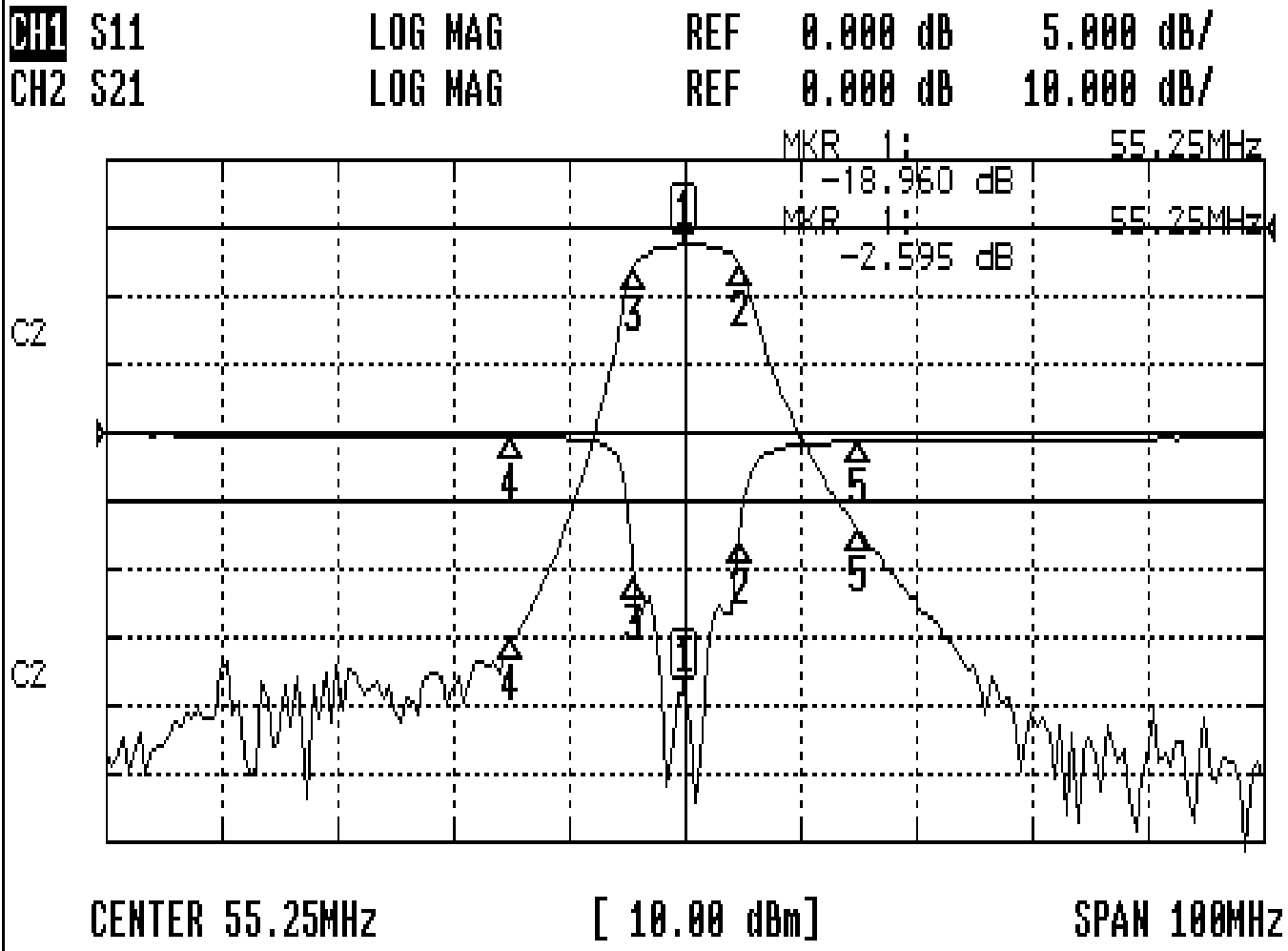
(3) Electric Characteristic		Specify	Performance
Item			
Center Freq.(Fo) +/- 0.5 %		55.25 MHz	55.25 MHz
Insertion Loss		Typ. 3.5 dB	2.59 dB
-3 dB Bandwidth		Typ. 8 MHz	9.1 MHz
Sensitivity (Attenuation)	Fo - (15) MHz	Typ. 56 dB	59 dB
	Fo + (15) MHz	Typ. 41 dB	44 dB
	Fo - ( ) MHz	Typ. dB	dB
	Fo + ( ) MHz	Typ. dB	dB
Return Loss		Min. 12 dB	18.9 dB
Ripple		< 1 dB	dB
Impedance		In / Out : 75Ω	In / Out : 75 Ω
(4) Torque for Tuning Screw		> 100gf · cm	
(5) Temperature Condition:			
Operating Temperature		0°C ~ +60°C	
Storage Temperature		-20°C ~ +70°C	
(6) Input Power		> 1Watt	



Approval	Supervisor	Designer	Aperture size
C.Y.Chang	C.S.Chang	P.H.Chiang	7H4(4*6.5F) 7H00LB6
TEMWELL CORPORATION			

# Performance-TFL64249F-55.25M

## 200810103CD



### CH1 MARKER LIST

1	55.250MHz	-18.960	dB
2	60.000MHz	-7.729	dB
3	50.916MHz	-10.652	dB
4	40.250MHz	-0.338	dB
5	70.250MHz	-0.661	dB

### CH2 MARKER LIST

1	55.250MHz	-2.595	dB
2	60.000MHz	-11.124	dB
3	50.916MHz	-11.080	dB
4	40.250MHz	-19.805	dB
5	70.250MHz	-44.378	dB