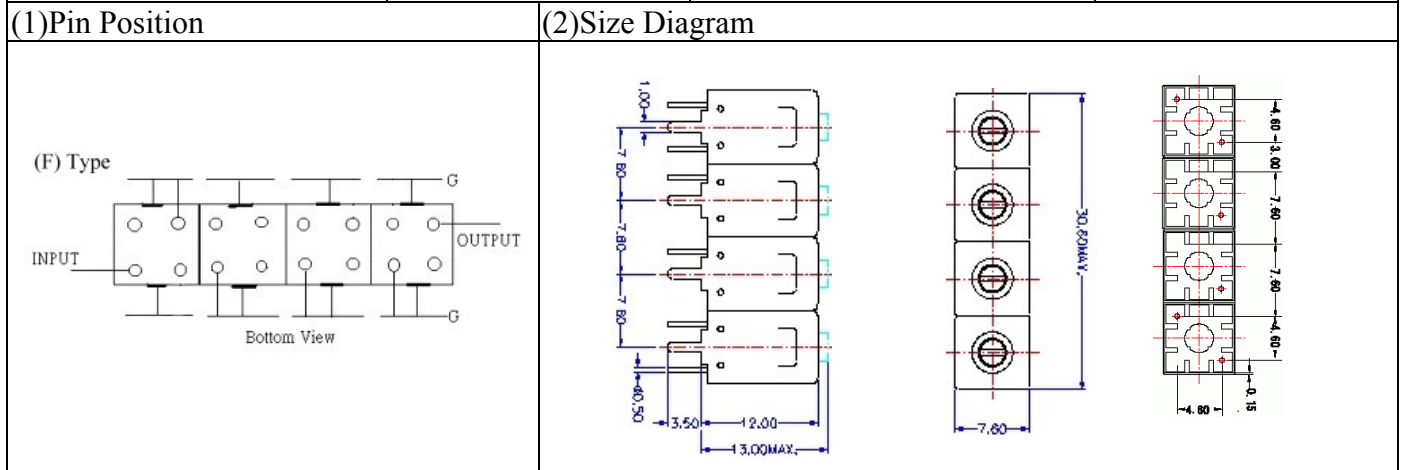
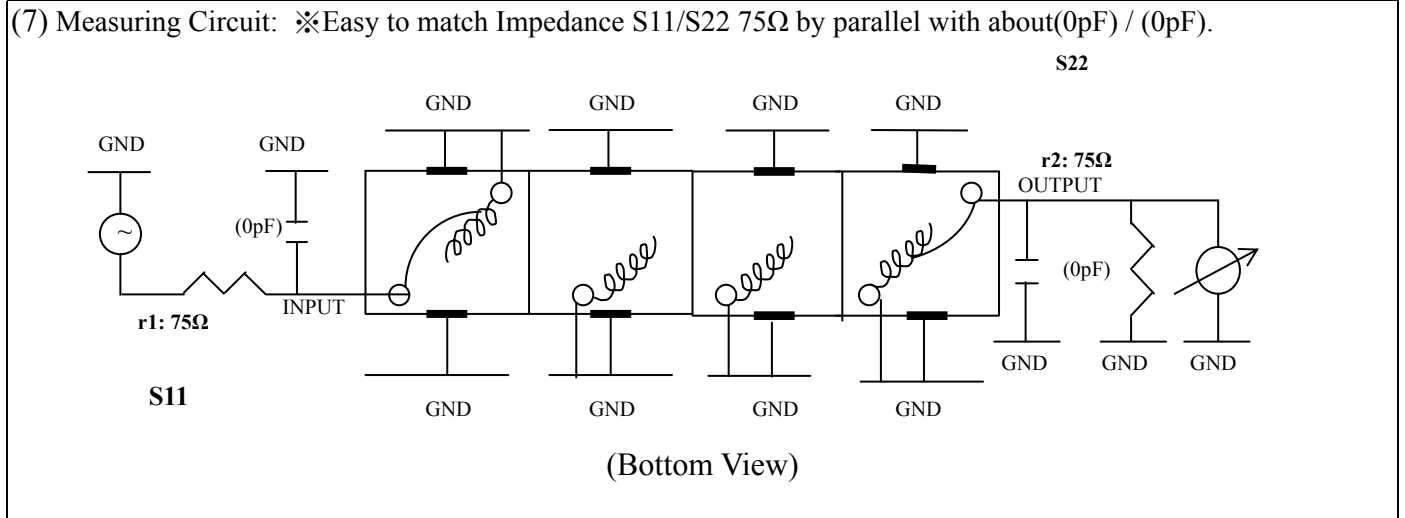


VHF UHF Helical Filter Specification Sheet

Customer Name		Temwell's Part No.	TFL64229F-1140M
Approval No. /dated	0802039APR	Temwell's Print name	64229F 1140M
Work Instruction No.	0802039CD	Date	Feb.27.2008



(3) Electric Characteristic			
Item	Specify		Performance
Center Freq.(Fo) +/- 0.5 %	1140	MHz	1140 MHz
Insertion Loss	Typ. 2.0	dB	1.38 dB
-3 dB Bandwidth	Typ. 130	MHz	136.4 MHz
Sensitivity (Attenuation)	Fo - (150) MHz	Typ. 29 dBc	32 dBc
	Fo + (150) MHz	Typ. 30 dBc	33 dBc
	Fo - () MHz	Typ. dBc	dBc
	Fo + () MHz	Typ. dBc	dBc
Return Loss	Min. 12	dB	16.0 dB
Ripple	< 1	dB	dB
Impedance	In / Out : 75 Ω		In / Out : 75 Ω
(4) Torque for Tuning Screw			
> 100gf · cm			
(5) Temperature Condition:			
Operating Temperature	0°C ~ +60°C		
Storage Temperature	-20°C ~ +70°C		
(6) Input Power			
> 1Watt			



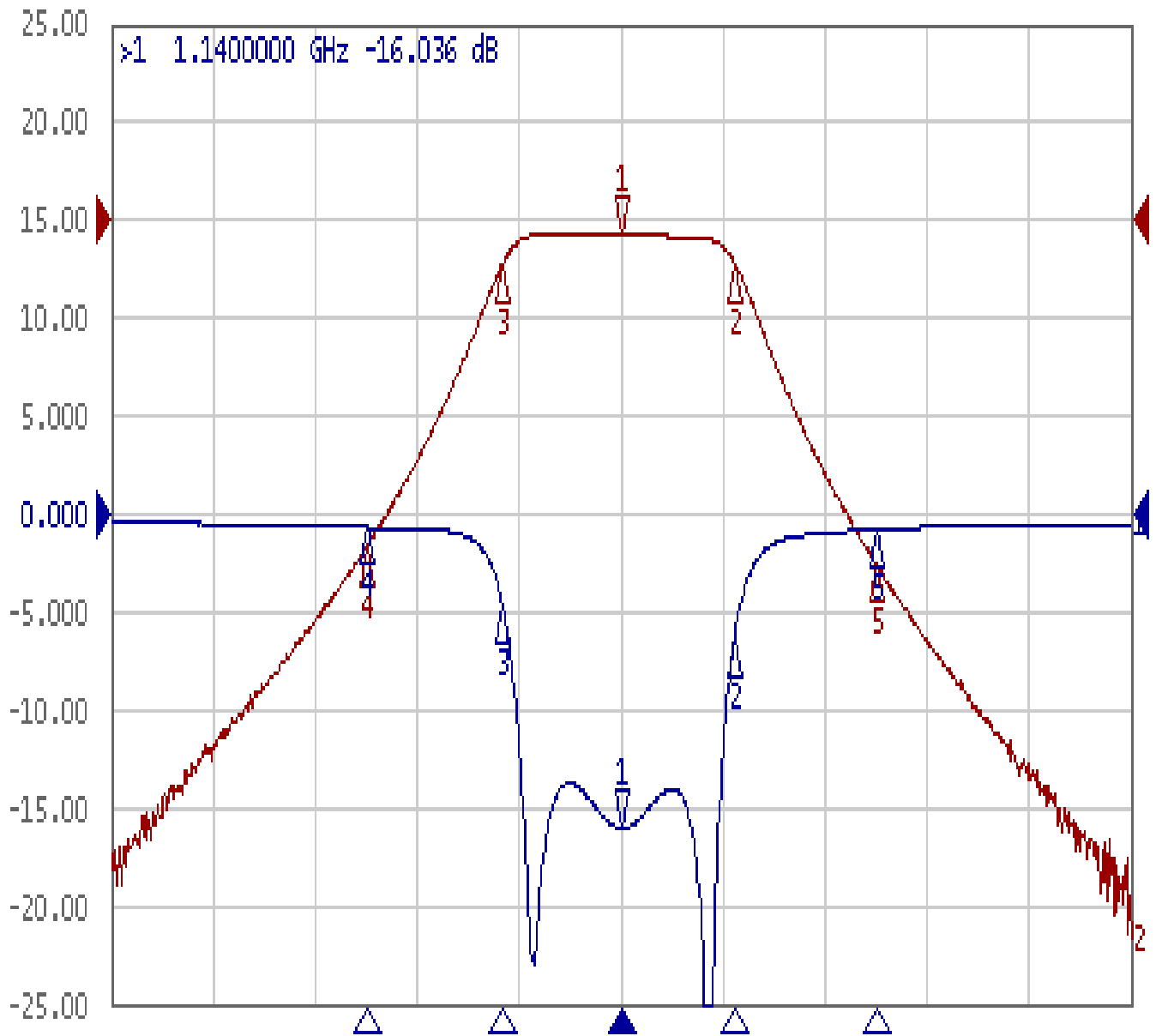
Approval	Supervisor	Designer	Aperture size
C.Y.Chang	C.S.Chang	C.S.Chang	7H4(4*5.5)F(6.5B) 7H046RB6.5

TEMWELL CORPORATION

Performance-TFL64229F-1140M

0802039CD

▶ Tr1 S11 Log Mag 5.000dB/ Ref 0.000dB [F2]
Tr2 S21 Log Mag 10.000dB/ Ref 0.000dB [F2]



1 Center 1.14 GHz

IFBW 10 kHz

Span 600 MHz

Ch1	Tr1	S11	>1	1.1400000	GHz	-16.036	dB
Ch1	Tr1	S11	2	1.2067330	GHz	-6.2947	dB
Ch1	Tr1	S11	3	1.0703120	GHz	-4.6697	dB
Ch1	Tr1	S11	4	990.00000	MHz	-0.6727	dB
Ch1	Tr1	S11	5	1.2900000	GHz	-0.7841	dB
Ch1	Tr2	S21	1	1.1400000	GHz	-1.3888	dB
Ch1	Tr2	S21	2	1.2067330	GHz	-4.3427	dB
Ch1	Tr2	S21	3	1.0703120	GHz	-4.3934	dB
Ch1	Tr2	S21	4	990.00000	MHz	-33.402	dB
Ch1	Tr2	S21	5	1.2900000	GHz	-35.117	dB