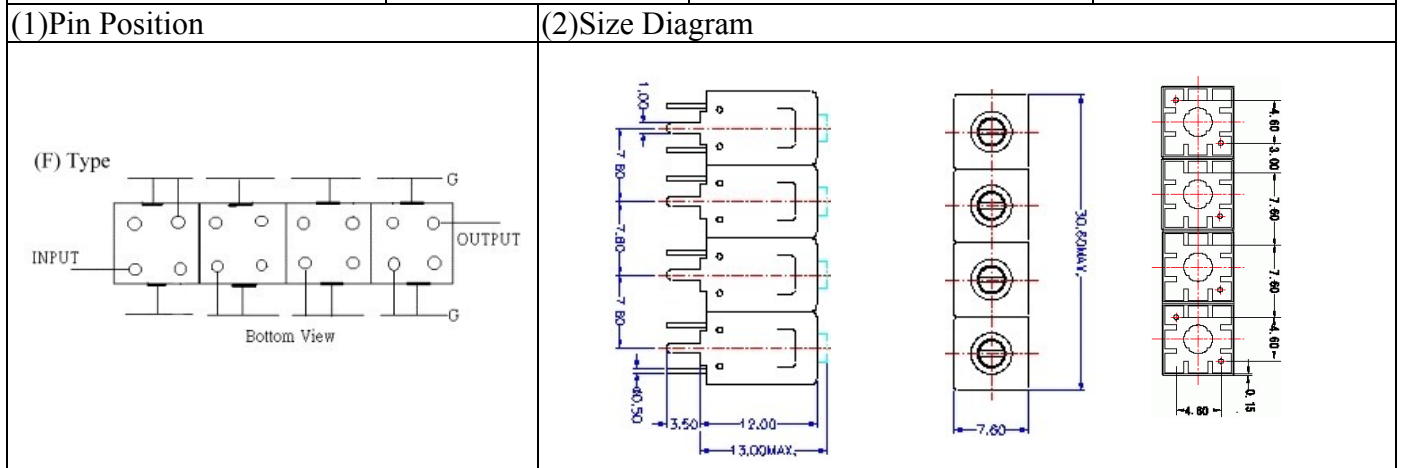


# VHF UHF Helical Filter Specification Sheet

Customer Name		Temwell's Part No.	TFL64228F-1025M
Approval No. /dated	0802076APR	Temwell's Print name	64228F 1025M
Work Instruction No.	0802076CD	Date	Feb.26.2008



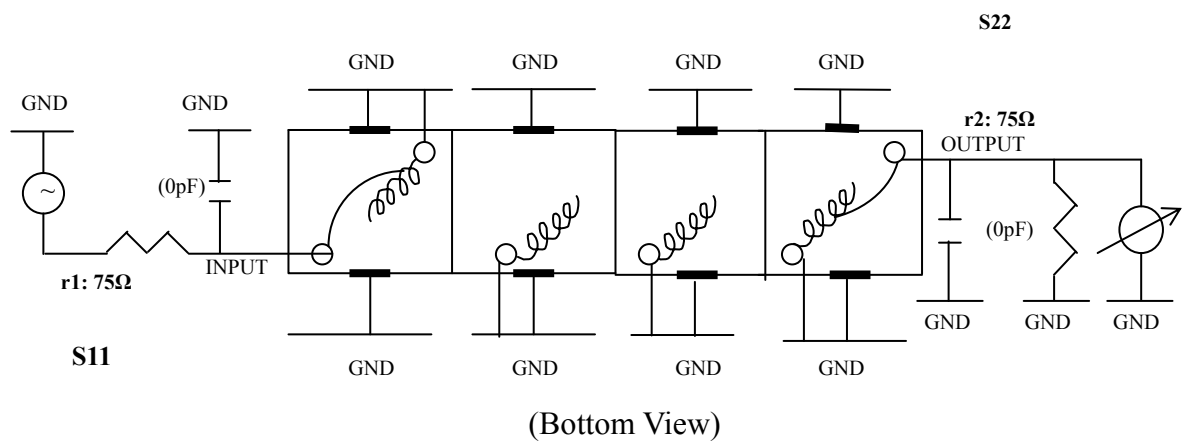
(3) Electric Characteristic		Item	Specify	Performance
		Center Freq.(Fo) +/- 0.5 %	1025 MHz	1025 MHz
		Insertion Loss	Typ. 2.0 dB	1.28 dB
		-3 dB Bandwidth	Typ. 120 MHz	129.4 MHz
Sensitivity (Attenuation)	Fo - (150) MHz	Typ. 33 dBc		36 dBc
	Fo + (150) MHz	Typ. 29 dBc		32 dBc
	Fo - ( ) MHz	Typ. dBc		dBc
	Fo + ( ) MHz	Typ. dBc		dBc
		Return Loss	Min. 12 dB	20.8 dB
		Ripple	< 1 dB	dB
		Impedance	In / Out : 75 Ω	In / Out : 75 Ω

(4) Torque for Tuning Screw > 100gf · cm

(5) Temperature Condition:  
 Operating Temperature 0°C ~ +60°C  
 Storage Temperature -20°C ~ +70°C

(6) Input Power > 1Watt

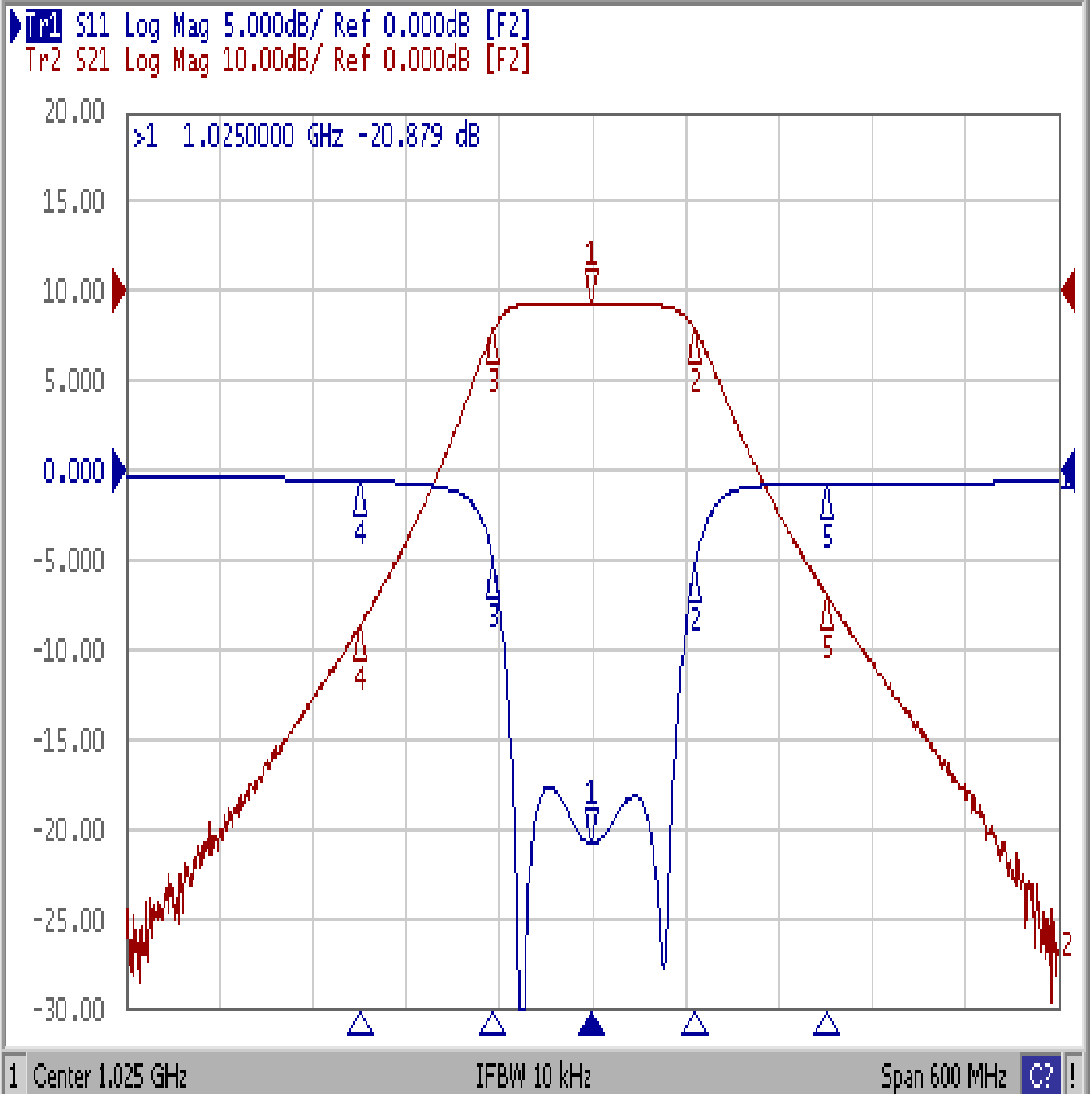
(7) Measuring Circuit: ※Easy to match Impedance S11/S22 75Ω by parallel with about(0pF) / (0pF).



Approval C.Y.Chang	Supervisor C.S.Chang	Designer C.S.Chang	Aperture size 7H4(4*5.5)F(6.5B) 7H046RB6.5
-----------------------	-------------------------	-----------------------	--

# Performance-TFL64228F-1025M

## 0802076CD



Ch1	Tr1	S11	>1	1.0250000	GHz	-20.879	dB
Ch1	Tr1	S11	2	1.0906820	GHz	-5.4234	dB
Ch1	Tr1	S11	3	961.25000	MHz	-5.2192	dB
Ch1	Tr1	S11	4	875.00000	MHz	-0.5691	dB
Ch1	Tr1	S11	5	1.1750000	GHz	-0.7195	dB
Ch1	Tr2	S21	1	1.0250000	GHz	-1.2806	dB
Ch1	Tr2	S21	2	1.0906820	GHz	-4.2546	dB
Ch1	Tr2	S21	3	961.25000	MHz	-4.3077	dB
Ch1	Tr2	S21	4	875.00000	MHz	-37.505	dB
Ch1	Tr2	S21	5	1.1750000	GHz	-33.798	dB