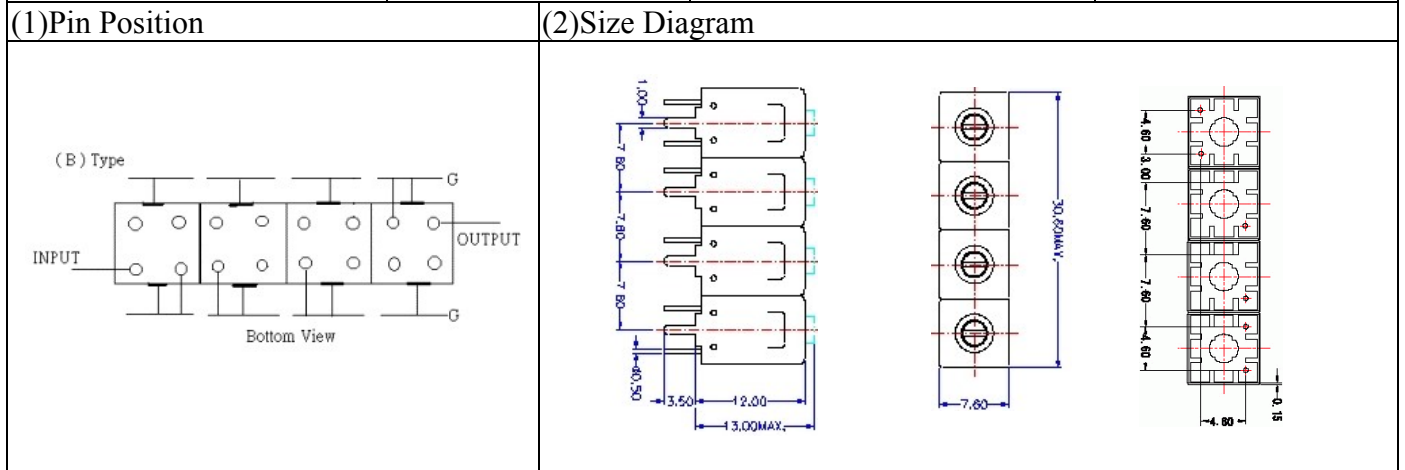


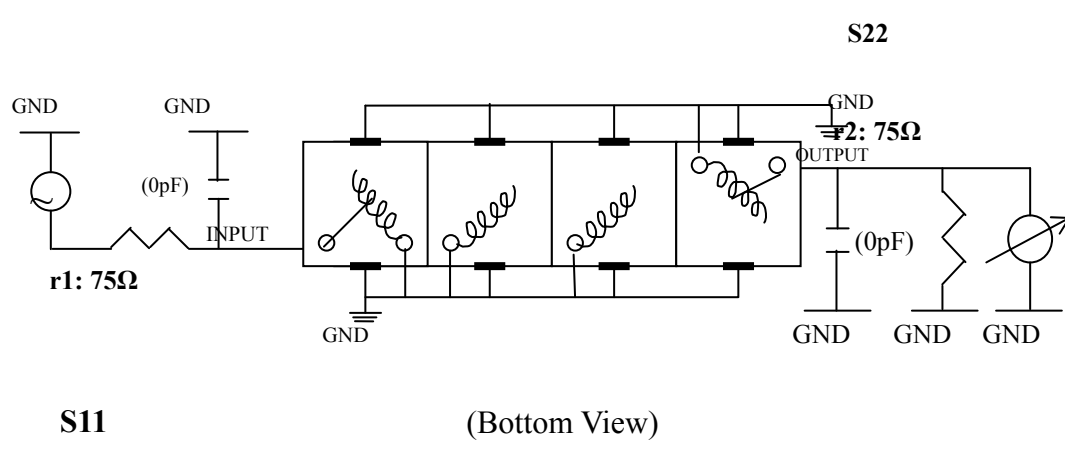
# VHF UHF Helical Filter Specification Sheet

Customer Name		Temwell's Part No.	TFL64228B-1025M
Approval No. /dated	0802034APR	Temwell's Print Name	64228B 1025M
Work Instruction No.	0802034CD	Date	Feb.21.2008



Item		Specify	Performance
Center Freq.(Fo ) +/- 0.5 %		1025 MHz	1025 MHz
Insertion Loss		Typ. 2.0 dB	1.36 dB
-3 dB Bandwidth		Typ. 120 MHz	127.2 MHz
Sensitivity (Attenuation)	Fo - 150 MHz	Typ. 45 dBc	48 dBc
	Fo + 150 MHz	Typ. 20 dBc	23 dBc
	Fo - ( )MHz	Typ. dBc	dBc
	Fo +( )MHz	Typ. dBc	dBc
Return Loss		Min. 12 dB	21.0 dB
Ripple		< 1 dB	dB
Impedance		In / Out : 75 Ω	In / Out : 75 Ω
(4) Torque for Tuning Screw		> 100gf • cm	
(5) Temperature Condition:			
Operating Temperature		0°C ~ +60°C	
Storage Temperature		-20°C ~ +70°C	
(6) Input Power		> 1Watt	

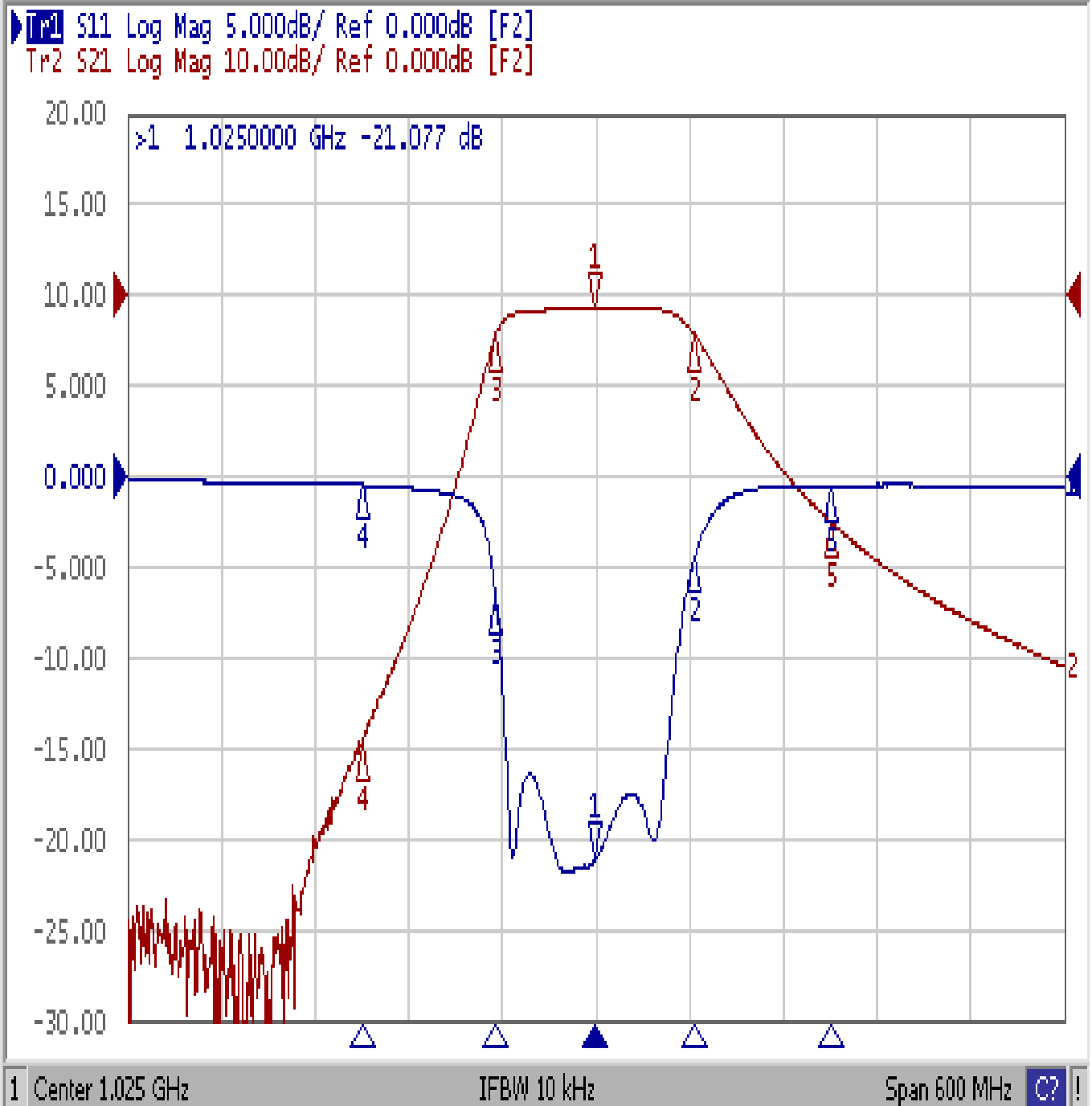
(7) Measuring Circuit: ※Easy to match Impedance S11/S22 75Ω/ by parallel with about(0 pF) / (0 pF).



Approval	Supervisor	Designer	Aperture size
C.Y.Chang	C.S.Chang	C.S.Chang	7H4(4*7.5)F(6.5B) 7H046RB6.5
TEMWELL CORPORATION			

# Performance-TFL64228B-1025M

## 0802034CD



Ch1	Tr1	S11	>1	1.025000	GHz	-21.077	dB
Ch1	Tr1	S11	2	1.0881830	GHz	-4.4909	dB
Ch1	Tr1	S11	3	960.95000	MHz	-6.7592	dB
Ch1	Tr1	S11	4	875.00000	MHz	-0.4598	dB
Ch1	Tr1	S11	5	1.1750000	GHz	-0.5095	dB
Ch1	Tr2	S21	1	1.0250000	GHz	-1.3621	dB
Ch1	Tr2	S21	2	1.0881830	GHz	-4.3521	dB
Ch1	Tr2	S21	3	960.95000	MHz	-4.3645	dB
Ch1	Tr2	S21	4	875.00000	MHz	-49.758	dB
Ch1	Tr2	S21	5	1.1750000	GHz	-24.960	dB