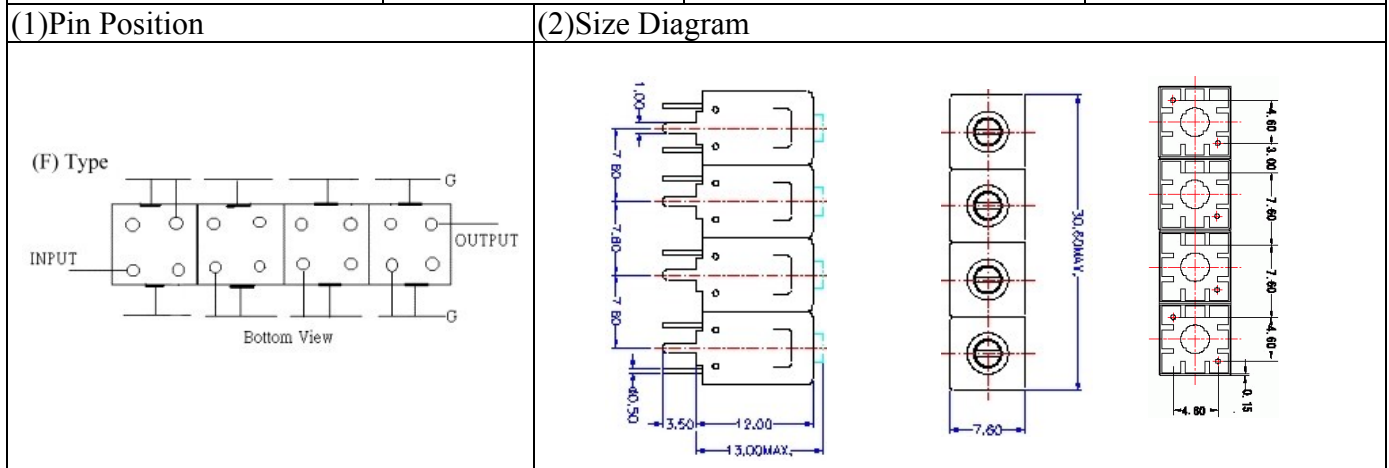


VHF UHF Helical Filter Specification Sheet

Customer Name		Temwell's Part No.	TFL64225F-743M
Approval No. /dated	0802003APR	Temwell's Print name	64225F 743M
Work Instruction No.	0802003CD	Date	Mar.24.2008



(3) Electric Characteristic

Item	Specify	Performance	
Center Freq.(Fo) +/- 0.5 %	743 MHz	743 MHz	
Insertion Loss	Typ. 4.0 dB	3.24 dB	
-3 dB Bandwidth	Typ. 17 MHz	21.0 MHz	
Sensitivity (Attenuation)	Fo - (30) MHz	Typ. 41 dBc	44 dBc
	Fo + (30) MHz	Typ. 29 dBc	32 dBc
	Fo - () MHz	Typ. dBc	dBc
	Fo + () MHz	Typ. dBc	dBc
Return Loss	Min. 12 dB	24.0 dB	
Ripple	< 1 dB	dB	
Impedance	In / Out : 75 Ω	In / Out : 75 Ω	
(4) Torque for Tuning Screw	> 100gf · cm		

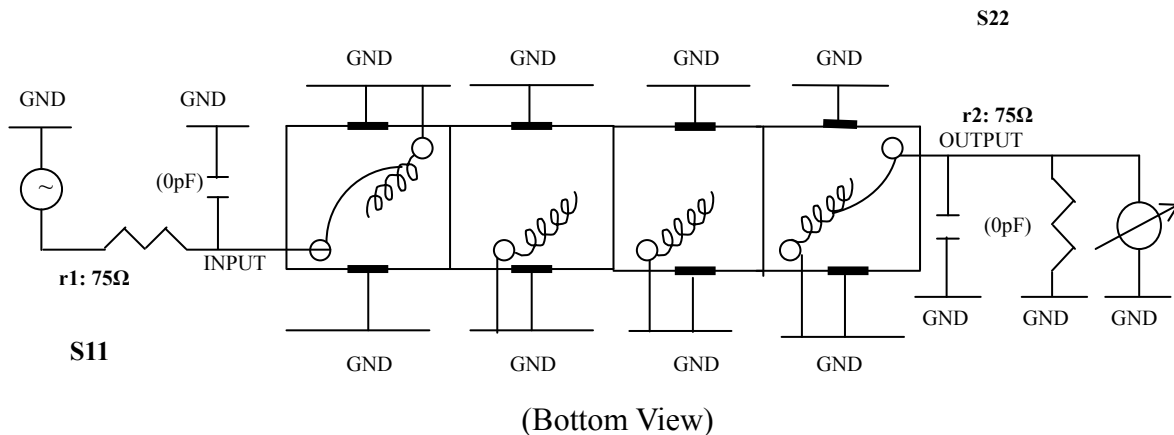
(5) Temperature Condition:

Operating Temperature	0°C ~ +60°C
Storage Temperature	-20°C ~ +70°C

(6) Input Power

> 1 Watt

(7) Measuring Circuit: ※Easy to match Impedance S11/S22 75Ω by parallel with about(0pF) / (0pF).



Approval C.Y.Chang	Supervisor C.S.Chang	Designer C.S.Chang	Aperture size 7H4(4*5.5)F*(4.0B) 7H046LB4 聚 3
-----------------------	-------------------------	-----------------------	---

TEMWELL CORPORATION

TEMWELL

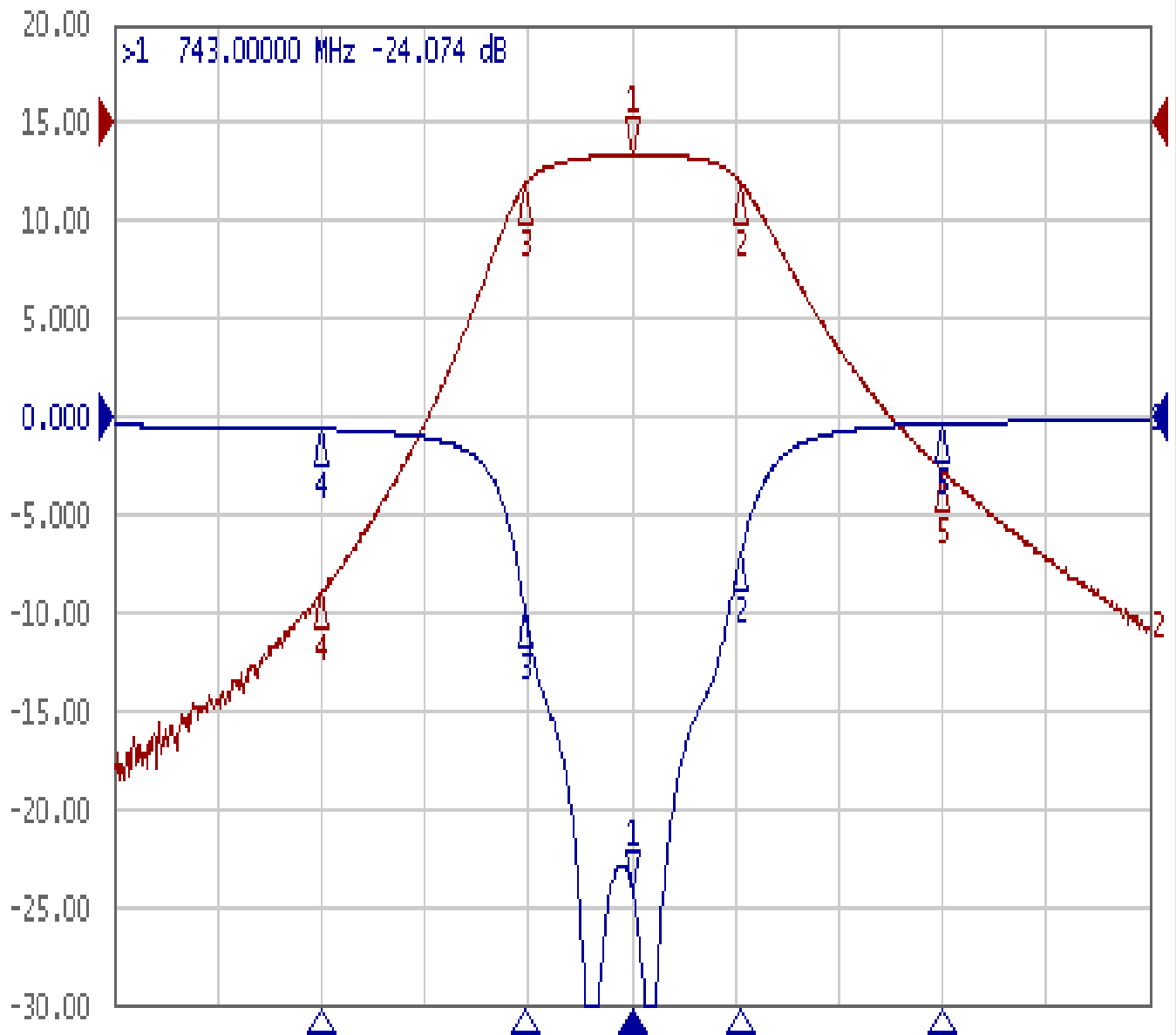
Form10-7H4F Vision D

RB:C.S.Chang

Performance-TFL64225F-743M

0802003CD

▶ Tr1 S11 Log Mag 5.000dB/ Ref 0.000dB [F2]
Tr2 S21 Log Mag 10.00dB/ Ref 0.000dB [F2]



1 Center 743 MHz

IFBW 10 kHz

Span 100 MHz

C7 !

Ch1	Tr1	S11	>1	743.00000	MHz	-24.074	dB
Ch1	Tr1	S11	2	753.60575	MHz	-6.8623	dB
Ch1	Tr1	S11	3	732.64950	MHz	-9.7966	dB
Ch1	Tr1	S11	4	713.00000	MHz	-0.6292	dB
Ch1	Tr1	S11	5	773.00000	MHz	-0.3475	dB
Ch1	Tr2	S21	1	743.00000	MHz	-3.2473	dB
Ch1	Tr2	S21	2	753.60575	MHz	-6.2257	dB
Ch1	Tr2	S21	3	732.64950	MHz	-6.3090	dB
Ch1	Tr2	S21	4	713.00000	MHz	-47.851	dB
Ch1	Tr2	S21	5	773.00000	MHz	-35.575	dB