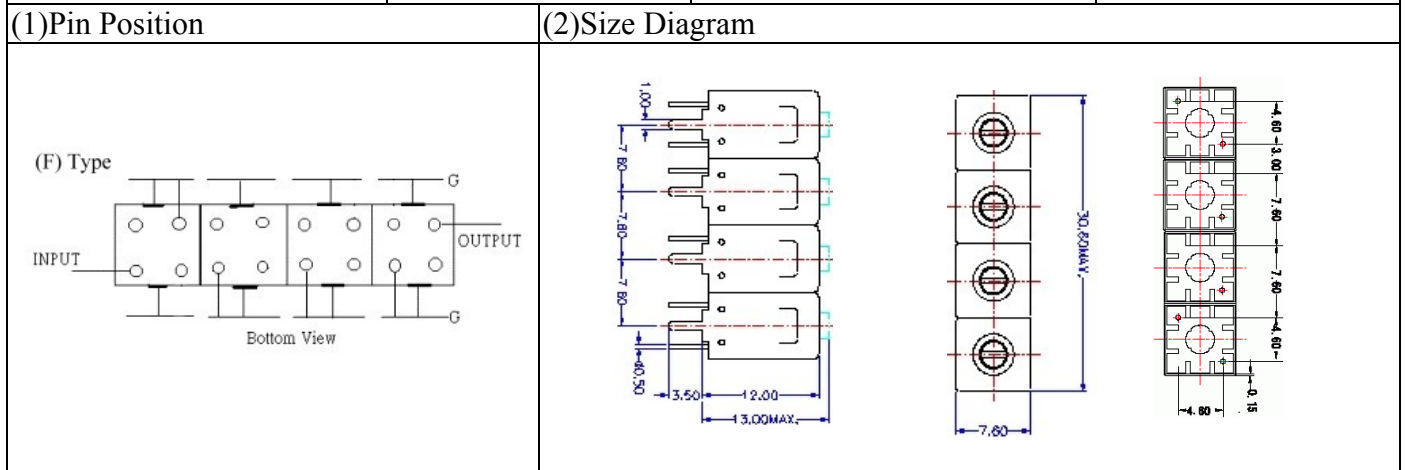


# VHF UHF Helical Filter Specification Sheet

Customer Name		Temwell's Part No.	TFL64148F-403.25M
Approval No. /dated	0910132CD	Temwell's print name	64148F 403.25M
Work Instruction No.	200910132CD	Date	Nov.12.2009



### (3) Electric Characteristic

Item	Specify	Performance
Center Freq.(Fo ) +/- 0.5 %	403.25 MHz	403.25 MHz
Insertion Loss	Typ. 5.0 dB	4.12 dB
-3 dB Bandwidth	Typ. 8 MHz	11.6 MHz
Sensitivity (Attenuation)	Fo - ( 50 ) MHz	Typ. 16 dB
	Fo + ( 50 ) MHz	Typ. 15 dB
	Fo - ( ) MHz	Typ. dBc
	Fo + ( ) MHz	Typ. dBc
Return Loss	Min. 12 dB	18.5 dB
Ripple	< 1 dB	dB
Impedance	In / Out : 75 Ω	In / Out : 75 Ω

### (4) Torque for Tuning Screw

> 100gf · cm

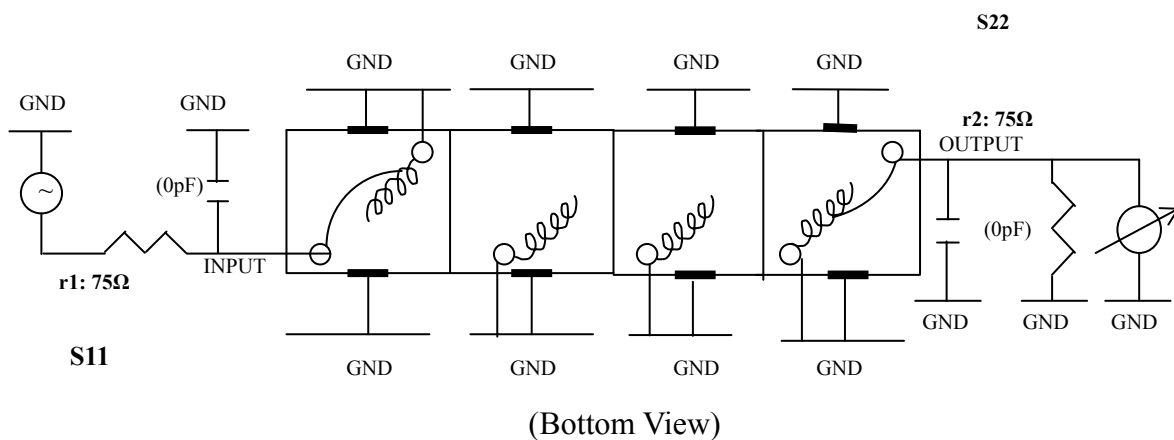
### (5) Temperature Condition:

Operating Temperature	0°C ~ +60°C
Storage Temperature	-20°C ~ +70°C

### (6) Input Power

> 1Watt

### (7) Measuring Circuit: ※Easy to match Impedance S11/S22 75Ω by parallel with about(0pF) / (0pF).



Approval	Supervisor	Designer	Aperture size
C.Y.Chang	C.K.Chang	C.S.Chang	7H4S(4*5.5)(5.59) 7H046RB4

TEMWELL CORPORATION

TEMWELL Form10-7H4F Vision D

RP:(C.S.C)

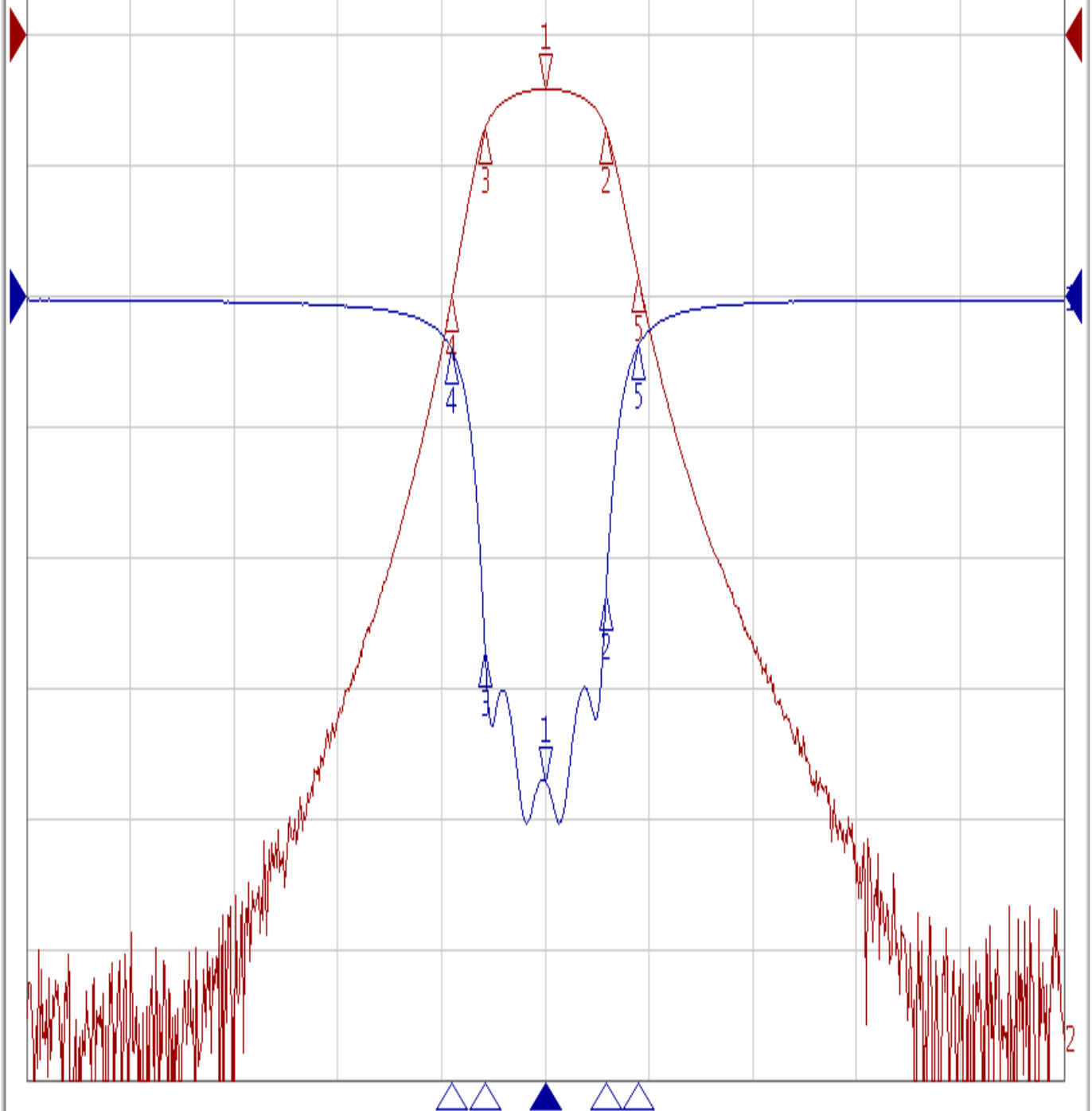
# Performance-TFL64148F-403.25M

## 200910132CD

Tr1 S11 Log Mag 5.000dB/ Ref 0.000dB [F2]  
Tr2 S21 Log Mag 10.00dB/ Ref 0.000dB [F2]

1	403.25000 MHz	-4.1287 dB
2	409.08900 MHz	-7.1638 dB
3	397.48000 MHz	-7.1412 dB
4	394.25000 MHz	-19.929 dB
5	412.25000 MHz	-18.513 dB

>1	403.25000 MHz	-18.586 dB
2	409.08900 MHz	-11.395 dB
3	397.48000 MHz	-13.584 dB
4	394.25000 MHz	-2.0031 dB
5	412.25000 MHz	-1.8642 dB



1 Center 403.25 MHz

IFBW 10 kHz

Span 100 MHz Cor !