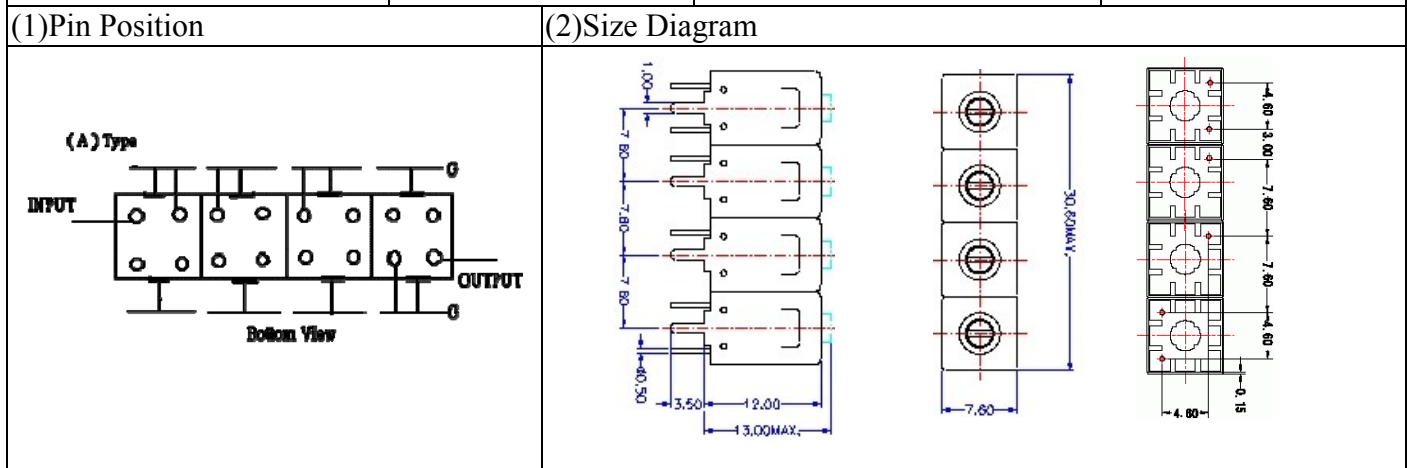


VHF UHF Helical Filter Specification Sheet

Customer Name		Temwell's Part No.	TFL4621A-1450M
Approval No. /dated	0802033APR	Temwell's Print Name	4621A 1450M
Work Instruction No.	0802033CD	Date	Mar.7.2008



(3) Electric Characteristic

Item	Specify	Performance	
Center Freq.(Fo) +/- 0.5 %	1450 MHz	1450 MHz	
Insertion Loss	Typ. 4.0 dB	3.20 dB	
-3 dB Bandwidth	Typ. 72 MHz	79.7 MHz	
Sensitivity (Attenuation)	Fo - 100 MHz	Typ. 34 dBc	37 dBc
	Fo + 100 MHz	Typ. 23 dBc	26 dBc
	Fo - ()MHz	Typ. dBc	dBc
	Fo +()MHz	Typ. dBc	dBc
Return Loss	Min. 12 dB	15.2 dB	
Ripple	< 1 dB	dB	
Impedance	In / Out : 75 Ω	In / Out : 75 Ω	

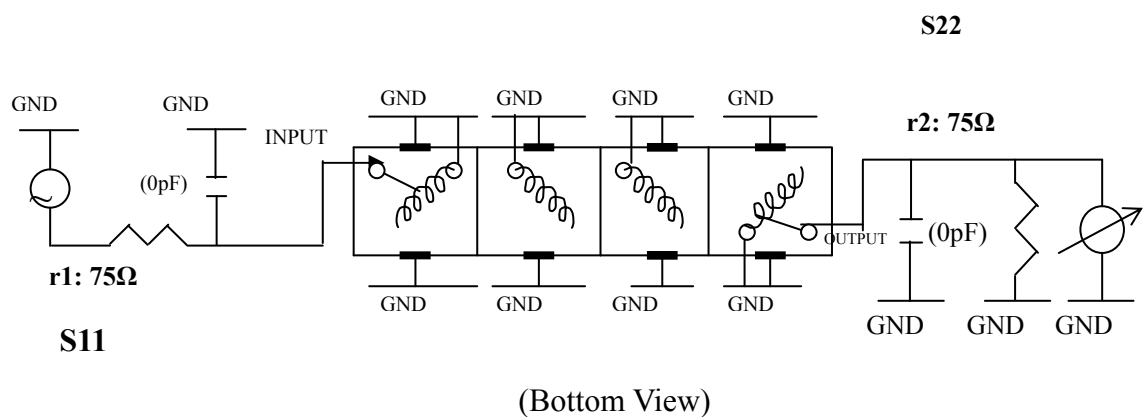
(4) Torque for Tuning Screw > 100gf · cm

(5) Temperature Condition:

Operating Temperature	0°C ~ +60°C
Storage Temperature	-20°C ~ +70°C

(6) Input Power > 1Watt

(7) Measuring Circuit: ※Easy to match Impedance S11/S22 /75Ω by parallel with about(0pF) / (0pF).



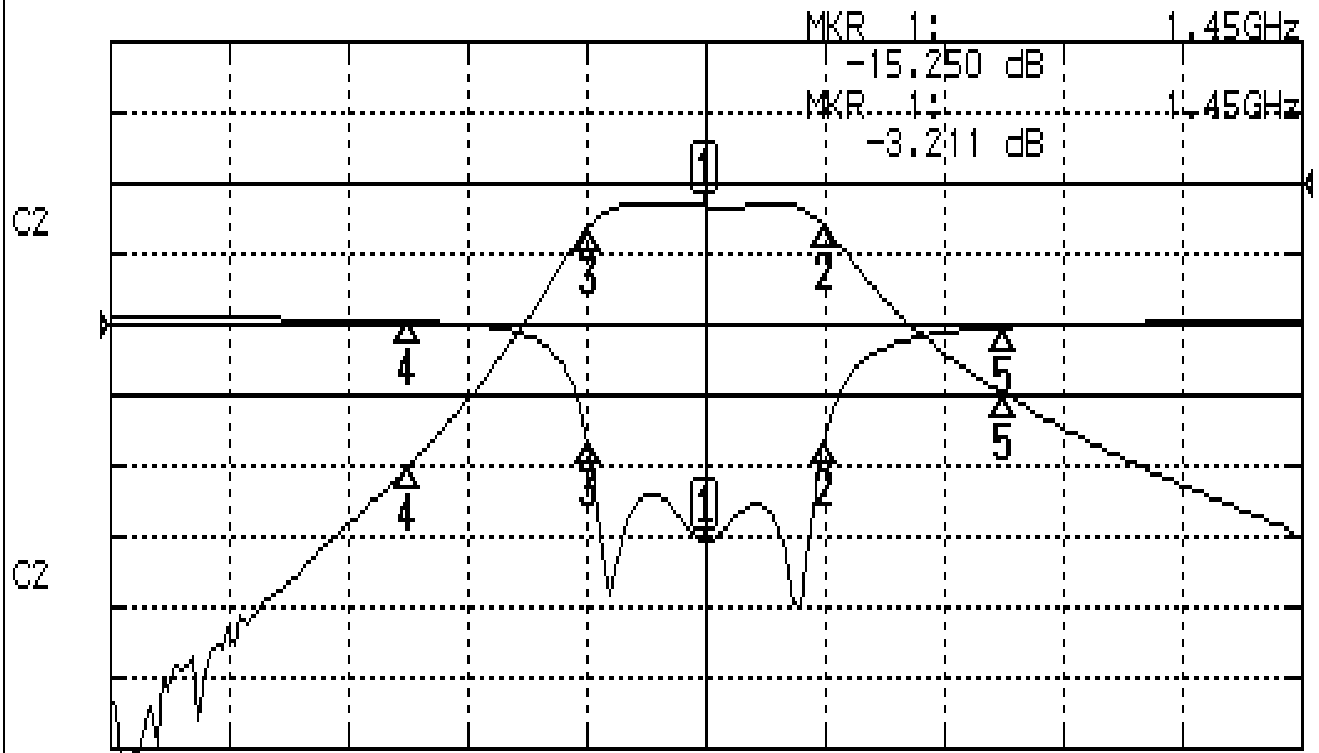
Approval	Supervisor	Designer	Aperture size
C.Y.Chang	C.S.Chang	P.H.Chiang	7H4(4*5.5F)*(5.0B) 7H046LB5

TEMWELL CORPORATION

Performance-TFL4621A-1450M

0802033CD

CH1 S11 LOG MAG REF 0.000 dB 5.000 dB/
CH2 S21 LOG MAG REF 0.000 dB 10.000 dB/



CENTER 1.45GHz

[10.00 dBm]

SPAN 400MHz

CH1 MARKER LIST

1:	1.450	000GHz	-15.250	dB
2:	1.490	333GHz	-7.994	dB
3:	1.410	666GHz	-8.437	dB
4:	1.350	000GHz	0.240	dB
5:	1.550	000GHz	-0.189	dB

CH2 MARKER LIST

1:	1.450	000GHz	-3.205	dB
2:	1.490	333GHz	-6.197	dB
3:	1.410	666GHz	-6.237	dB
4:	1.350	000GHz	-40.282	dB
5:	1.550	000GHz	-29.713	dB