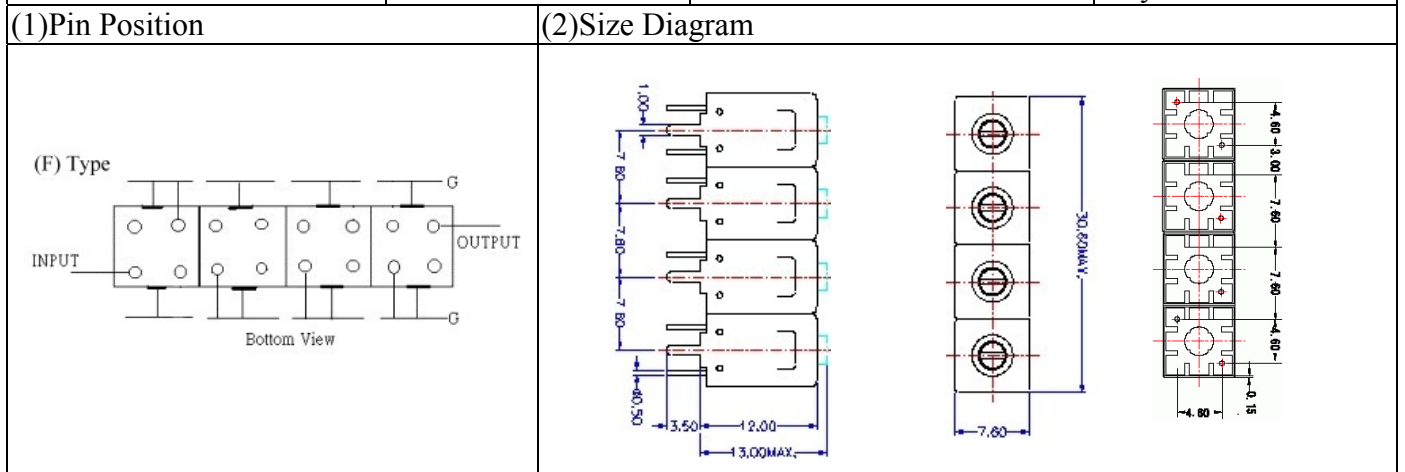
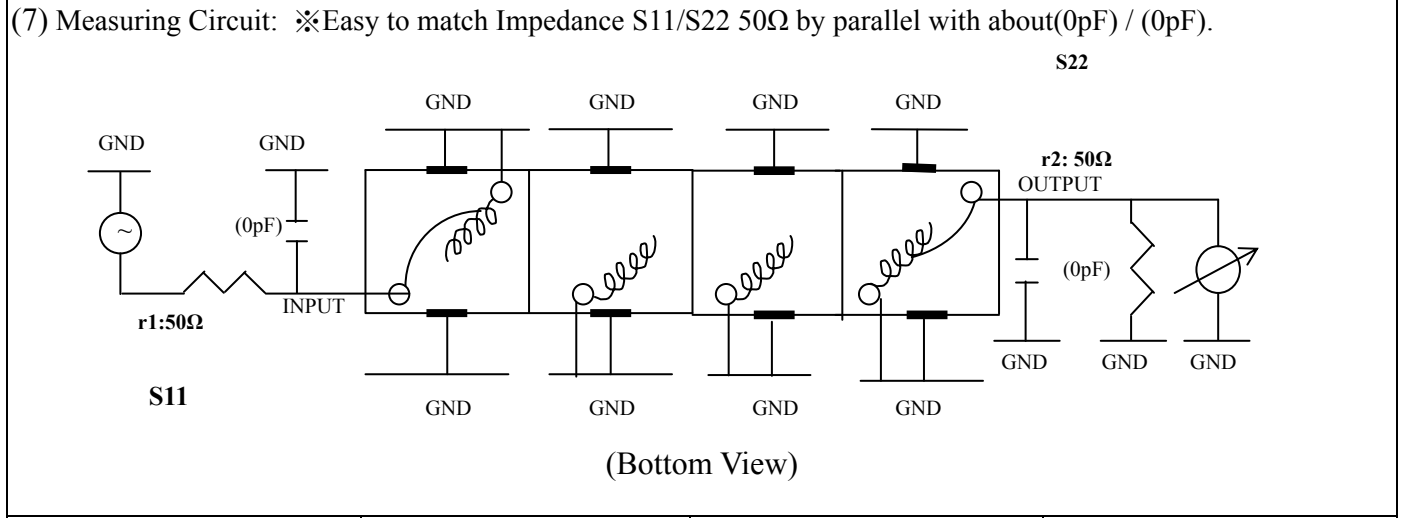


# VHF UHF Helical Filter Specification Sheet

Customer Name		Temwell's Part No.	TF94248F-700M
Approval No. /dated	0904117D	Temwell's Print name	94248F-700MP
Work Instruction No.	200904117D	Date	May.09.2009



Item		Specify	Performance
Center Freq.(Fo) +/- 0.5 %		700 MHz	700 MHz
Insertion Loss		Typ. 1.5 dB	0.72 dB
-3 dB Bandwidth		Typ. 180 MHz	191.6 MHz
Sensitivity (Attenuation)	Fo - 200 MHz	Typ. 43 dBc	46 dBc
	Fo + 200 MHz	Typ. 23 dBc	26 dBc
	Fo - ( ) MHz	Typ. dBc	dBc
	Fo + ( ) MHz	Typ. dBc	dBc
Return Loss		Min. 12 dB	20.5 dB
Ripple		< 1 dB	dB
Impedance		In / Out : 50 Ω	In / Out : 50 Ω
(4) Torque for Tuning Screw		> 60gf · cm	
(5) Temperature Condition:			
Operating Temperature		0°C ~ +60°C	
Storage Temperature		-20°C ~ +70°C	
(6) Input Power		> 1Watt	



Approval	Supervisor	Designer	Aperture size
C.Y.Chang	C.K.Chang	C.S.Chang	7H4(4*8.0F)(8.06) 7H046RB6.5

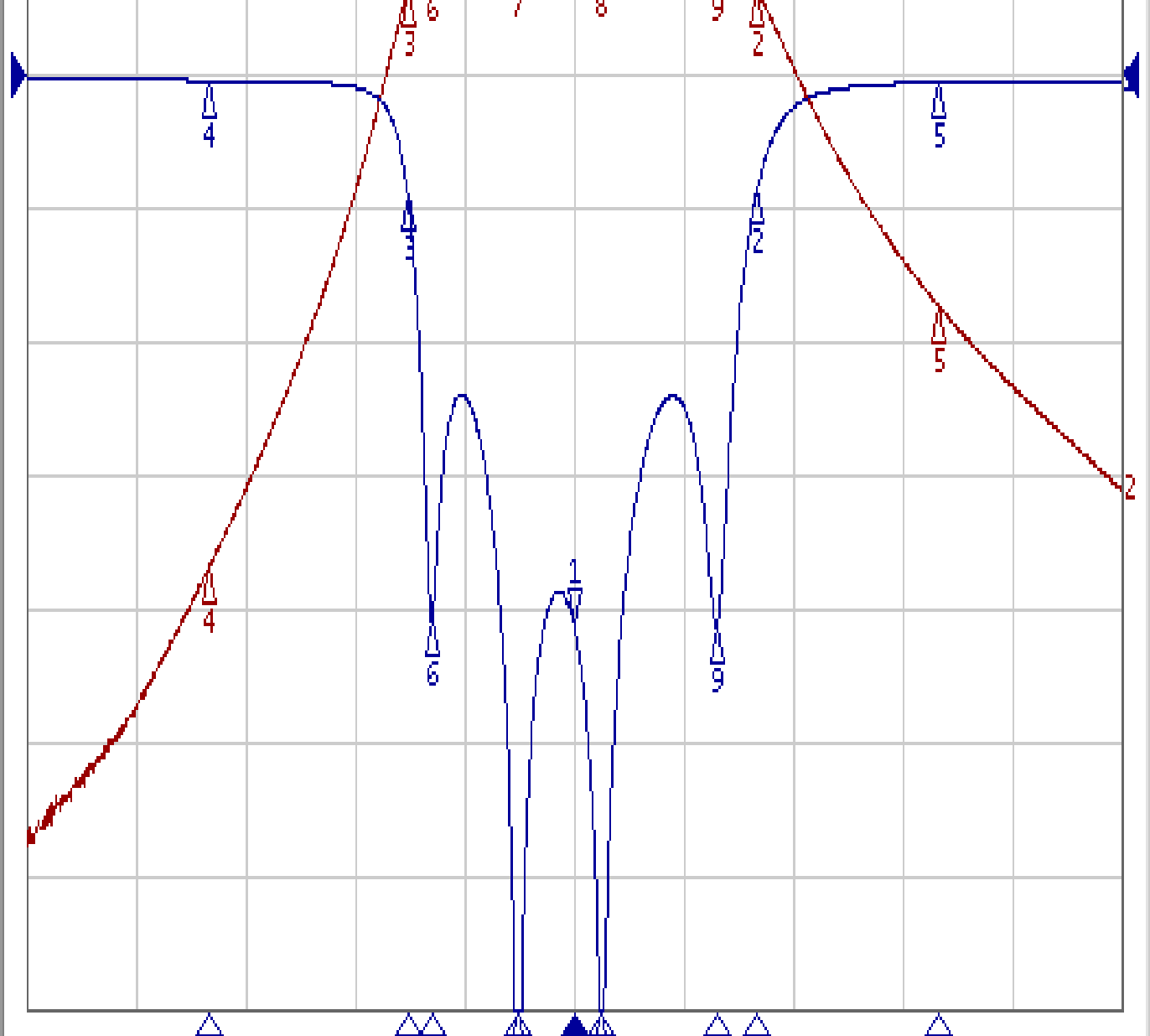
TEMWELL CORPORATION

# Performance-TF94248F-700M

200904117D

▶ Tr1 S11 Log Mag 5.000dB/ Ref 0.000dB [F3]  
Tr2 S21 Log Mag 10.00dB/ Ref 0.000dB [F3]

1	700.00000 MHz	-0.7234 dB	>1	700.00000 MHz	-20.592 dB
2	800.54600 MHz	-3.7343 dB	2	800.54600 MHz	-4.2081 dB
3	608.93050 MHz	-3.6863 dB	3	608.93050 MHz	-4.5191 dB
4	500.00000 MHz	-46.871 dB	4	500.00000 MHz	-0.1889 dB
5	900.00000 MHz	-27.311 dB	5	900.00000 MHz	-0.2585 dB
6	622.13875 MHz	-1.0577 dB	6	622.13875 MHz	-20.442 dB
7	668.96800 MHz	-0.6939 dB	7	668.96800 MHz	-45.442 dB
8	714.59650 MHz	-0.7013 dB	8	714.59650 MHz	-35.360 dB
9	778.23625 MHz	-1.0246 dB	9	778.23625 MHz	-20.724 dB



1 Start 400 MHz

IFBW 10 kHz

Stop 1 GHz

