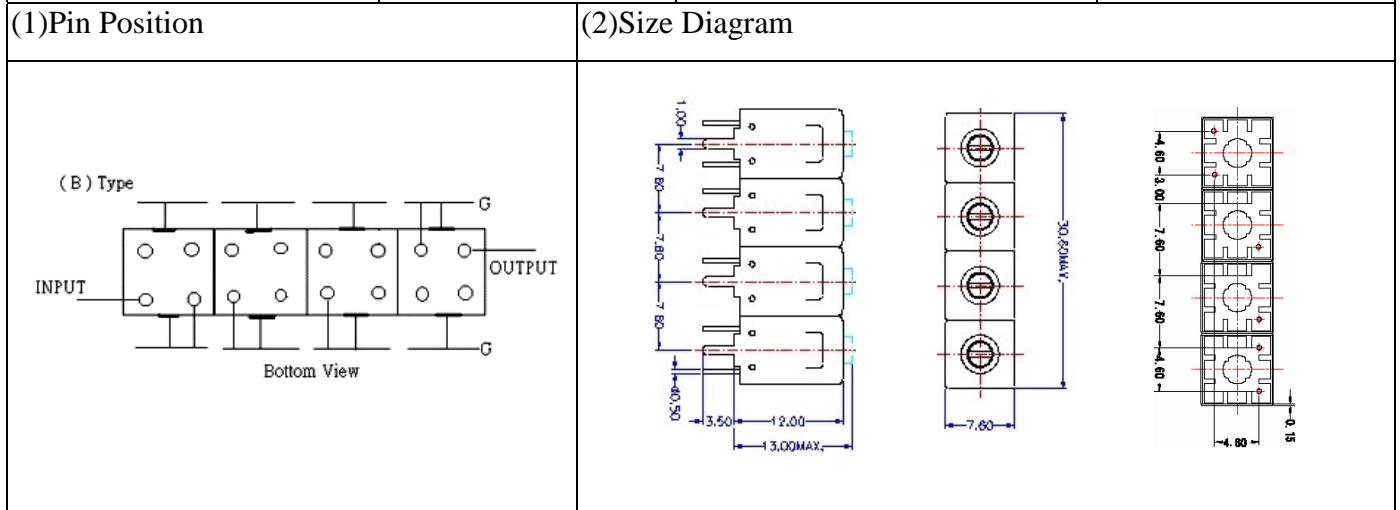


# VHF UHF Helical Filter Specification Sheet

Customer Name		Temwell's Part No.	TF6999B-396M
Approval No. /dated	20306043DB	Acceptable Specify Fo. Range	356~400MHz
Work Instruction No.	20306043DB	Date	Jun.30,2003



(3)Electric Charasteric

Item	Specify	Performance
Center Freq.(Fo ) +/- 0.5 %	396 MHz	396 MHz
Insertion Loss	Typ. 3.0 dB	2.32 dB
-1 dB Bandwidth	Typ. 14 MHz	16 MHz
-3 dB Bandwidth	Typ. 18 MHz	20 MHz
Sensitivity (Attenuation )	Fo - 36 MHz	Typ. 56 dBc
	Fo + 36 MHz	Typ. 39 dBc
	Fo - ( )MHz	Typ. dBc
	Fo +( )MHz	Typ. dBc
Return Loss	Min. 12 dB	34.2 dB
Ripple	< 1 dB	dB
Impedance	In / Out : 50 Ω	In / Out : 50 Ω

(4)Torque for Tuning Screw > 100gf • cm

(5)Temperature Condition:

Operating Temperature	0°C ~ +60°C
Storage Temperature	-20°C ~ +70°C

(6)Input Power > 1Watt

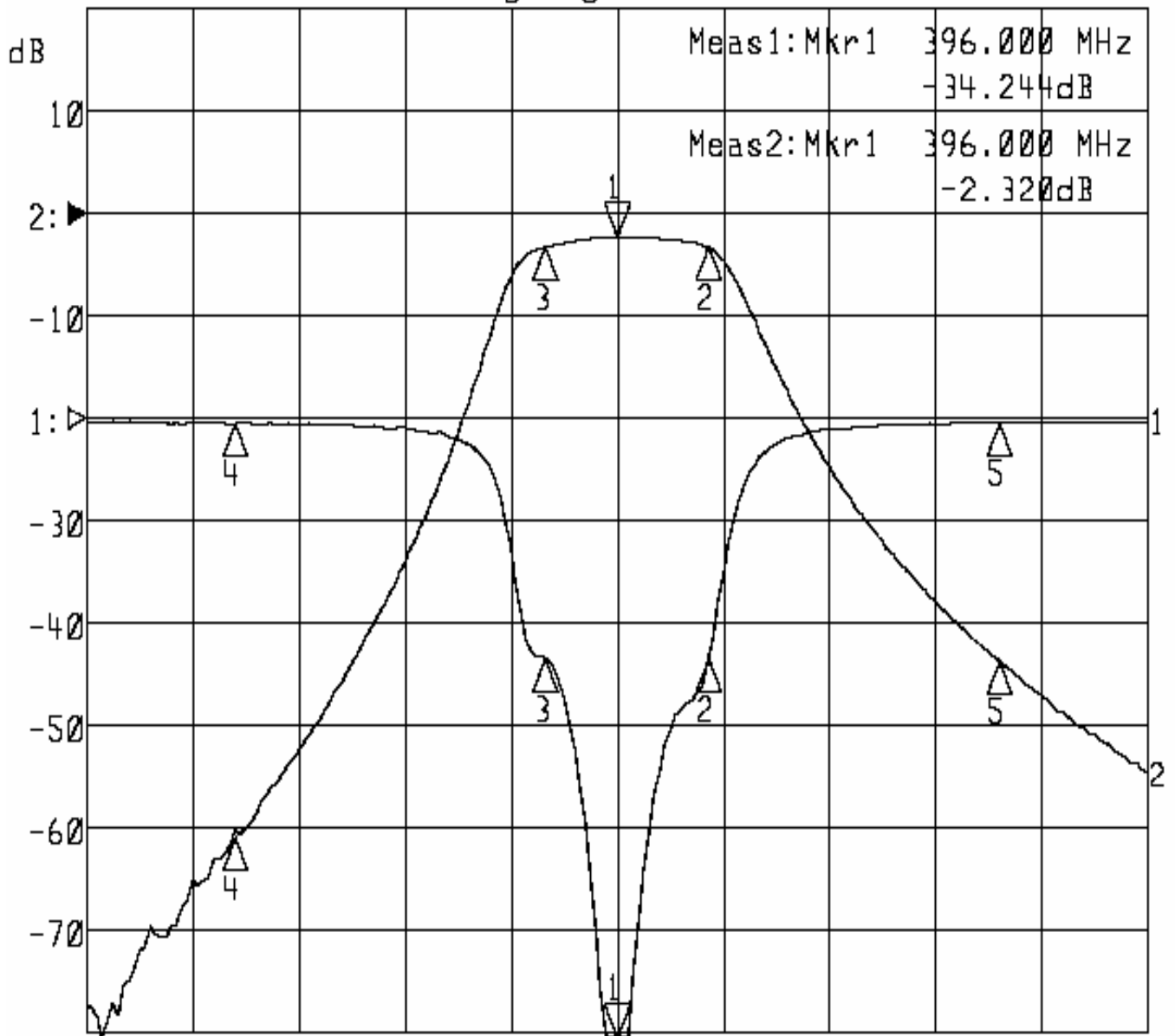
Approval	Supervisor	Designer	Aperture size
C. Y. Chang	C. S. Chang	C. S. Chang	7H4S(4*7.5) 7H046LB4 聚 3

TEMWELL CORPORATION

# Performance-TF6999B-396M

## 20306043DB

▷1:S11 Refl Port1 Log Mag 5.0 dB/ Ref 0.00 dB C  
▶2:S21 Fwd Trans Log Mag 10.0 dB/ Ref 0.00 dB C



Center 396.000 MHz

Span 100.000 MHz

1:Mkr (MHz)	dB	2:Mkr (MHz)	dB
1> 396.0000	-34.244	1> 396.0000	-2.320
2: 404.6000	-11.790	2: 404.6000	-3.343
3: 389.1333	-11.699	3: 389.1333	-3.329
4: 360.0000	-0.272	4: 360.0000	-60.991
5: 432.0000	-0.235	5: 432.0000	-43.853