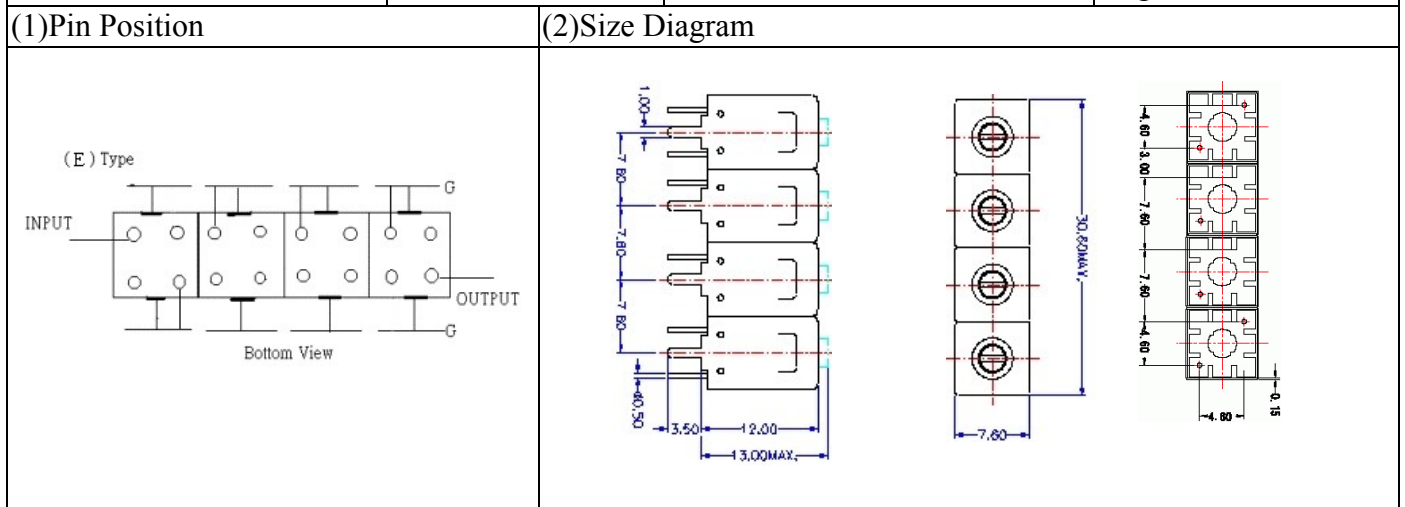


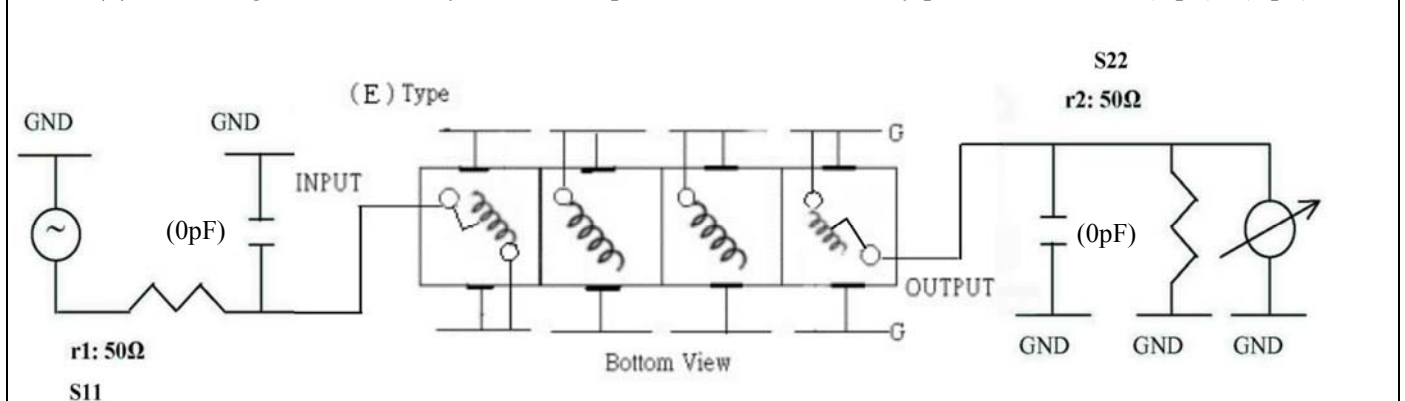
# VHF UHF Helical Filter Specification Sheet

Customer Name		Temwell's Part No.	TF69880E-473M
Approval No. /dated	0608001APR	Acceptable Specify Fo Range	456~515 MHz
Work Instruction No.	0608001DB	Date	Aug.02.2006



(3) Electric Characteristic			
Item	Specify	Performance	
Center Freq.(Fo) +/- 0.5 %	473 MHz	473 MHz	
Insertion Loss	Typ. 7.0 dB	5.70 dB	
-3 dB Bandwidth	Typ. 6 MHz	8.5 MHz	
Sensitivity (Attenuation)	Fo - 20 MHz	Typ. 45 dBc	48 dBc
	Fo + 20 MHz	Typ. 42 dBc	45 dBc
	Fo - ( )MHz	Typ. dBc	dBc
	Fo +( )MHz	Typ. dBc	dBc
Return Loss	Min. 12 dB	26.5 dB	
Ripple	< 1 dB	dB	
Impedance	In / Out : 50 Ω	In / Out : 50 Ω	
(4) Torque for Tuning Screw			
> 100gf · cm			
(5) Temperature Condition:			
Operating Temperature	0°C ~ +60°C		
Storage Temperature	20°C ~ +70°C		
(6) Input Power			
> 1Watt			

(7) Measuring Circuit: ※Easy to match Impedance S11/S22 50Ω/ by parallel with about( 0pF) / (0 pF)



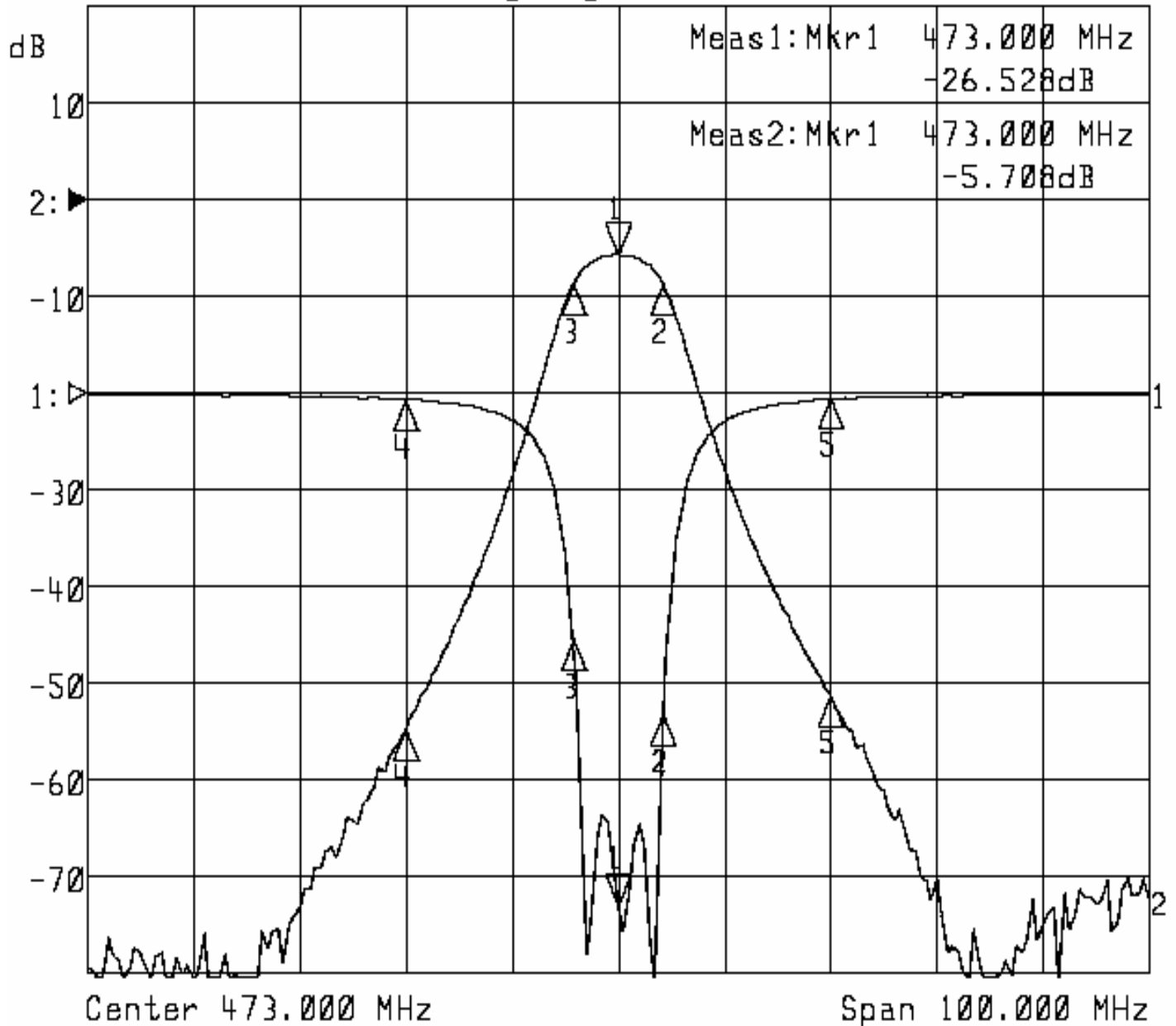
Approval	Supervisor	Designer	Aperture size
C.Y.Chang	C.S.Chang	W.W.Wang	7H4(4*5.5)F 7H046LB4 聚 3

TEMWELL CORPORATION

# Performance-TF69880E-473M

## 0608001DB

▷1:S11 Refl Port1 Log Mag 5.0 dB/ Ref 0.00 dB C  
▶2:S21 Fwd Trans Log Mag 10.0 dB/ Ref 0.00 dB C



1:Mkr (MHz)	dB	2:Mkr (MHz)	dB
1> 473.0000	-26.528	1> 473.0000	-5.708
2: 477.2333	-16.687	2: 477.2333	-8.747
3: 468.7333	-12.727	3: 468.7333	-8.803
4: 453.0000	-0.329	4: 453.0000	-54.644
5: 493.0000	-0.306	5: 493.0000	-51.247