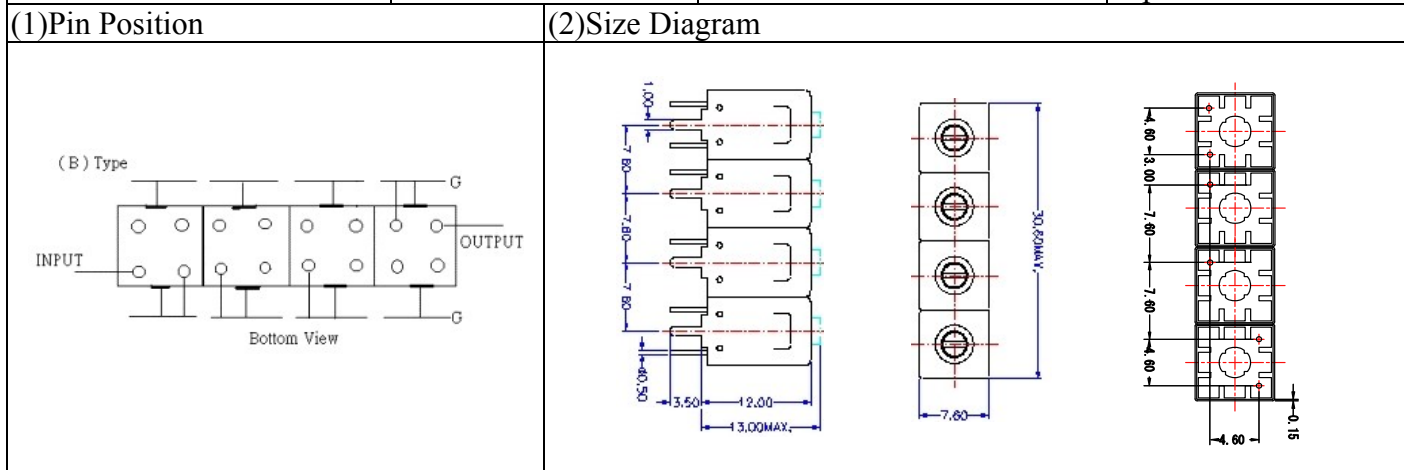


VHF UHF Helical Filter Specification Sheet

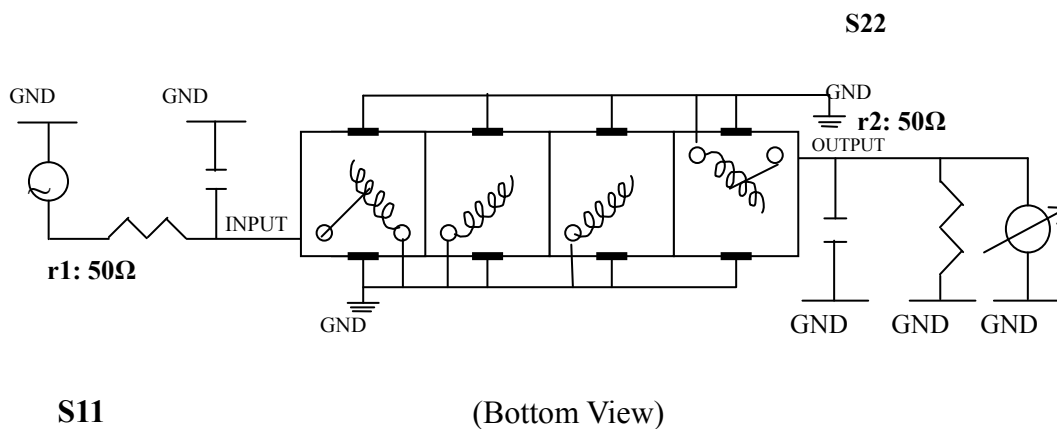
Customer Name		Temwell's Part No.	TF69878B-880M
Approval No. /dated	201708082CD	Temwell's Print Name	69878B 880M
Work Instruction No.	201708082CD	Date	Sep.14.2017



(3) Electric Characteristic

Item	Specify	Performance
Center Freq.(Fo) +/- 0.5 %	880 MHz	880 MHz
Insertion Loss	Typ. 2.5 dB	1.50 dB
-3 dB Bandwidth	Typ. 90 MHz	95.7 MHz
Sensitivity (Attenuation)	Fo - 200 MHz	Typ. 69 dBc
	Fo +200 MHz	Typ. 38 dBc
	Fo - ()MHz	Typ. dB
	Fo +()MHz	Typ. dB
Return Loss	Min. 12 dB	22.7 dB
Ripple	< 1 dB	dB
Impedance	In / Out : 50 Ω	In / Out : 50 Ω
(4) Torque for Tuning Screw	> 60gf · cm	
(5) Temperature Condition:		
Operating Temperature	0°C ~ +60°C	
Storage Temperature	-20°C ~ +70°C	
(6) Input Power	> 1Watt	

(7) Measuring Circuit: ※Easy to match Impedance S11/S22 50Ω by parallel with about (--).



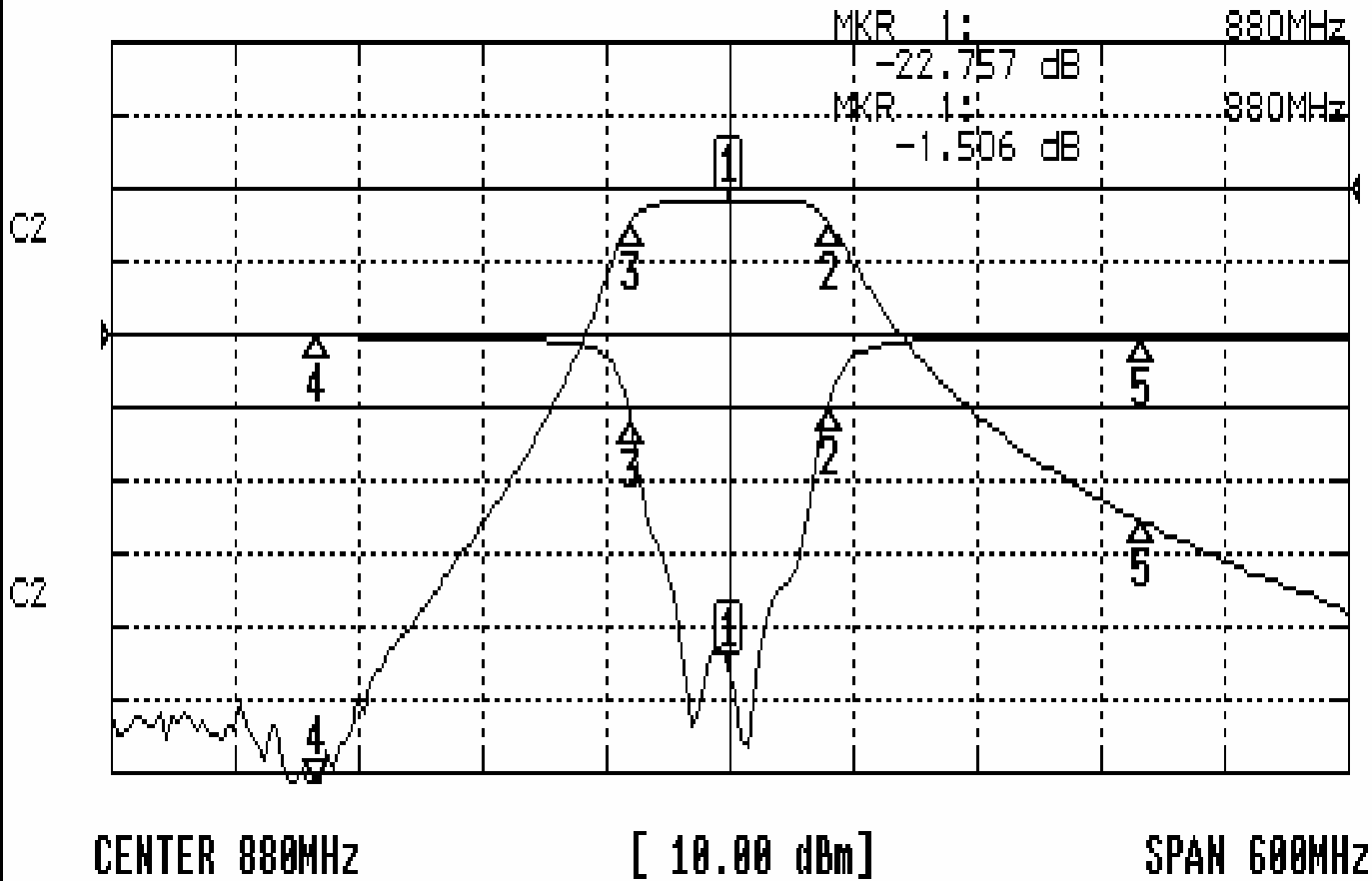
Approval	Supervisor	Designer	Aperture size
C.Y.Chang	C.K.Chang	M.Y.Kang	7H4S(4*5.35)(5.41) 7H046RB6.5

TEMWELL CORPORATION

Performance-TF69878B-880M

201708082CD

CH1 S11 LOG MAG REF 0.000 dB 5.000 dB/
CH2 S21 LOG MAG REF 0.000 dB 10.000 dB/



CH1 MARKER LIST

1:	880.000MHz	-22.759 dB
2:	928.000MHz	-4.893 dB
3:	832.300MHz	-5.877 dB
4:	680.000MHz	-0.122 dB
5:	1.080 000GHz	-0.218 dB

CH2 MARKER LIST

1:	880.000MHz	-1.506 dB
2:	928.000MHz	-4.557 dB
3:	832.300MHz	-4.505 dB
4:	680.000MHz	-81.439 dB
5:	1.080 000GHz	-45.480 dB